

# Submittal Data Sheet

## Wilco Top S - Commercial Wet Rotor Circulators

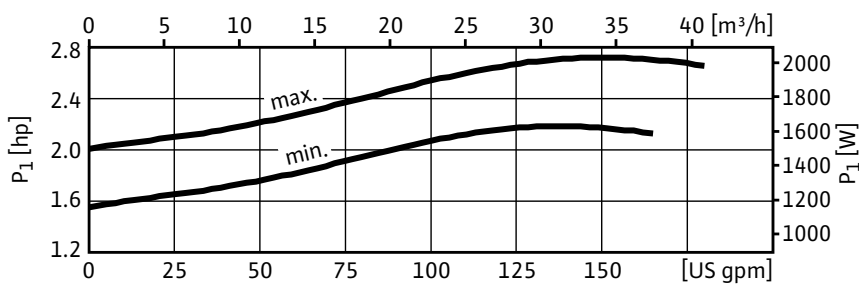
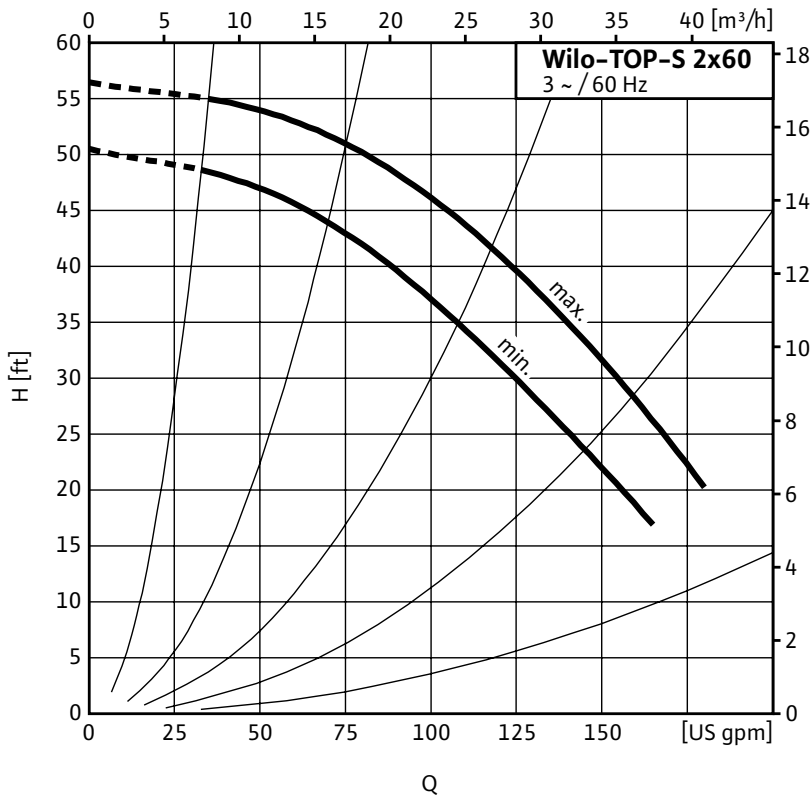


### Top S - Three Phase



Project:	
Engineer:	
Contractor:	
Submitted By:	Date:
Approved By:	Date:

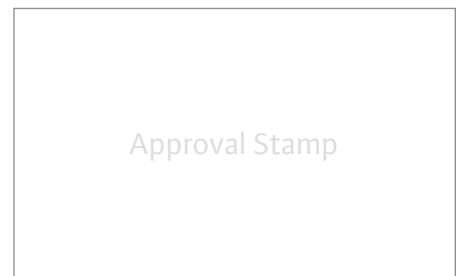
Tag #	Model #	Speed	Flow	Head	HP	Phase	Voltage
	Top S 2 x 60					3	



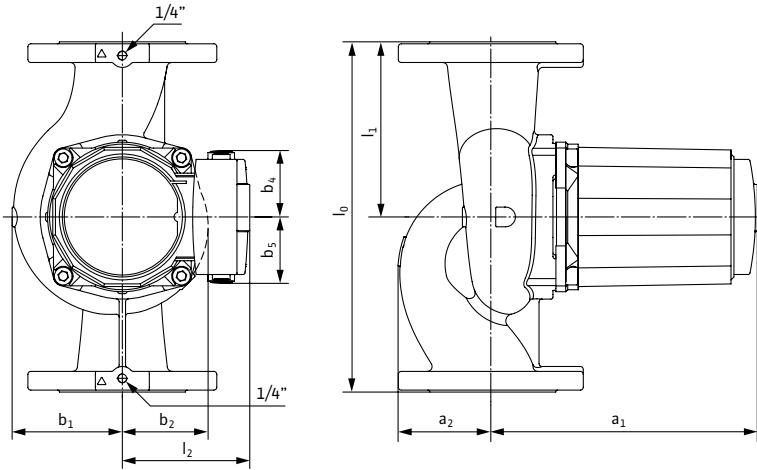
Materials of Construction	
Volute	Cast Iron (Closed Systems) Cataphoresis Coated
Impeller	Engineered composite (PP - 50% GF)
Shaft	Stainless Steel (X40 Cr13) / AISI 420SS
Bearing	Metal Impregnated Carbon
Degree of Protection	Enclosure
Protection Class	H

Technical Data	
Max. Temp. Range	14°F 248°F (- 10°C to 120°C)
Ambient Temp. Range	32°F - 104°F (0°C - 40 °C)
Electrical Connections	3-208-230v, 460v, 575v
Max. Working Pressure	145 PSI (10 Bar)
Min. Inlet Pressure 140 °F (60 °C)	6.3 PSI (0.4 Bar)
Min. Inlet Pressure 194 °F (90 °C)	15.4 PSI (1 Bar)
Min. Inlet Pressure 248 °F (120 °C)	38.9 PSI (2.7 Bar)

Applications	
• Heating Systems	• Cold water and air-conditioning systems
• Geothermal Systems	• Water/Glycol up to 50%
• Solar Systems	• Industrial Circulation Systems



### Dimensions & Weights

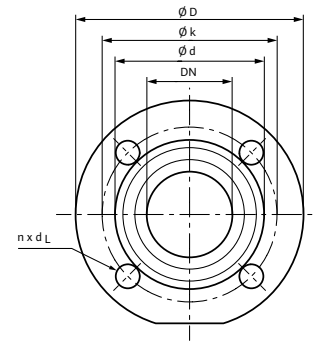


### Dimensions and Weights

Model	Dimensions - Inches (mm)									Weight - lbs (kg)
	$l_0$	$l_1$	$l_2$	$a_1$	$a_2$	$b_1$	$b_2$	$b_4$	$b_5$	
Top S 2 x 60	13½	6¾	5⅞	11 <sup>7</sup> / <sub>16</sub>	3 <sup>7</sup> / <sub>16</sub>	4 <sup>1</sup> / <sub>8</sub>	3 <sup>9</sup> / <sub>16</sub>	2¾	2¾	56.2
	(343)	(171.5)	(130)	(290)	(88)	(105)	(90)	(70)	(70)	(25.5)

### Flange Dimensions

Dia. (DN)	Dimensions - Inches (mm)				
	$\phi D$	$\phi d_1$	$\phi d_2$	$\phi k$	$n \times d_L$
2"	5¼	2 <sup>1</sup> / <sub>16</sub>	3 <sup>7</sup> / <sub>16</sub>	4	4 x $\phi$ ½
	(133)	(53)	(87)	(102)	(4 x $\phi$ 14)



### Motor Data

Model	hp	Speed RPM	Watts W	FLA		
				3~208-230V	3~460V	3~575V
Top S 2 x 60	1¾	3180-3460	1630-2035	4.9-6.8	2.4-3.4	2.0-2.7