

# Submittal Data Sheet

Wilco Top S - Commercial Wet Rotor Circulators

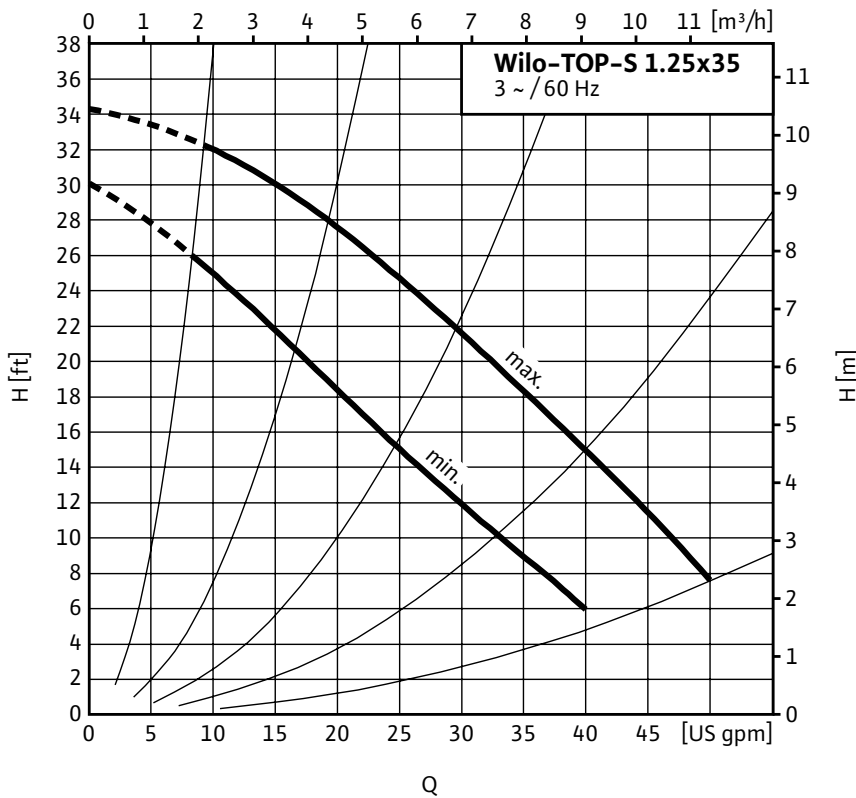


## Top S - Three Phase



Project:	
Engineer:	
Contractor:	
Submitted By:	Date:
Approved By:	Date:

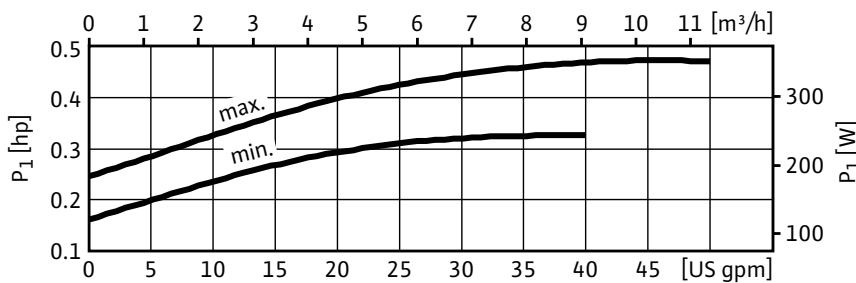
Tag #	Model #	Speed	Flow	Head	HP	Phase	Voltage
	Top S 1.25 x 35					3	



Materials of Construction	
Volute	Cast Iron (Closed Systems) Cataphoresis Coated
Impeller	Engineered composite (PP - 50% GF)
Shaft	Stainless Steel (X40 Cr13) / AISI 420SS
Bearing	Metal Impregnated Carbon
Degree of Protection	Enclosure
Protection Class	H

Technical Data	
Max. Temp. Range	14°F 248°F (- 10°C to 120°C)
Ambient Temp. Range	32°F - 104°F (0°C - 40 °C)
Electrical Connections	3~208-230v
Max. Working Pressure	145 PSI (10 Bar)
Min. Inlet Pressure 140 °F (60 °C)	1.8 PSI (0.1 Bar)
Min. Inlet Pressure 194 °F (90 °C)	7.3 PSI (0.5 Bar)
Min. Inlet Pressure 248 °F (120 °C)	29.9 PSI (2 Bar)

Applications	
• Heating Systems	• Cold water and air-conditioning systems
• Geothermal Systems	• Water/Glycol up to 50%
• Solar Systems	• Industrial Circulation Systems



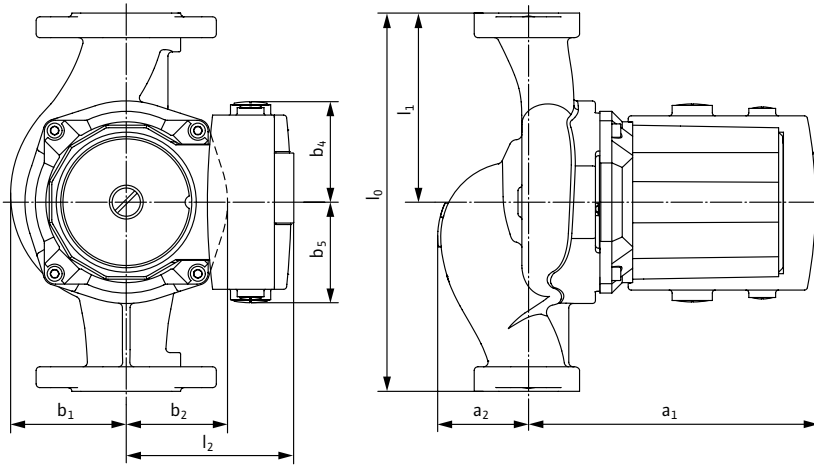
Approval Stamp

# Submittal Data Sheet

## Wilo Top S – Commercial Wet Rotor Circulators



### Dimensions & Weights

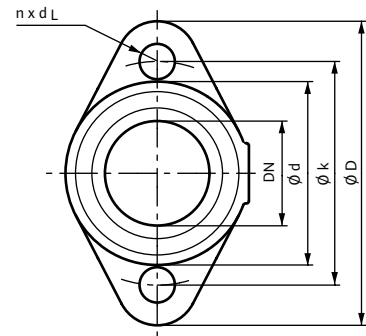


### Dimensions and Weights

Model	Dimensions - Inches (mm)									Weight - lbs (kg)
	$l_0$	$l_1$	$l_2$	$a_1$	$a_2$	$b_1$	$b_2$	$b_4$	$b_5$	
Top S 1.25 x 35	8½	4¼	4 <sup>7/16</sup>	7 <sup>5/8</sup>	1 <sup>11/16</sup>	2 <sup>11/16</sup>	2 <sup>3/8</sup>	2¾	2¾	18.3
	(216)	(108)	(113)	(193)	(42.5)	(69)	(60)	(70)	(70)	(8.3)

### Flange Dimensions

Dia. (DN)	Dimensions - Inches (mm)				
	$\phi D$	$\phi d_1$	$\phi d_2$	$\phi k$	$n \times d_L$
1¼"	4¾	1 <sup>3/8</sup>	2 <sup>7/8</sup>	3½	2 x $\phi$ ½
	(121)	(35)	(73)	(89)	(2 x $\phi$ 14)



### Motor Data

Model	hp	Speed RPM	Watts W	FLA		
				3~208-230V	3~460V	3~575V
Top S 1.25 x 35	¼	2840-3310	245-355	0.8-1.3	-	-