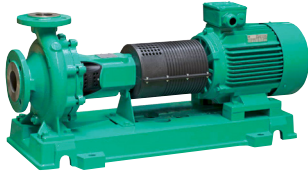


Submittal Data Sheet

Wilco NL - Base Mounted End Suction Pumps

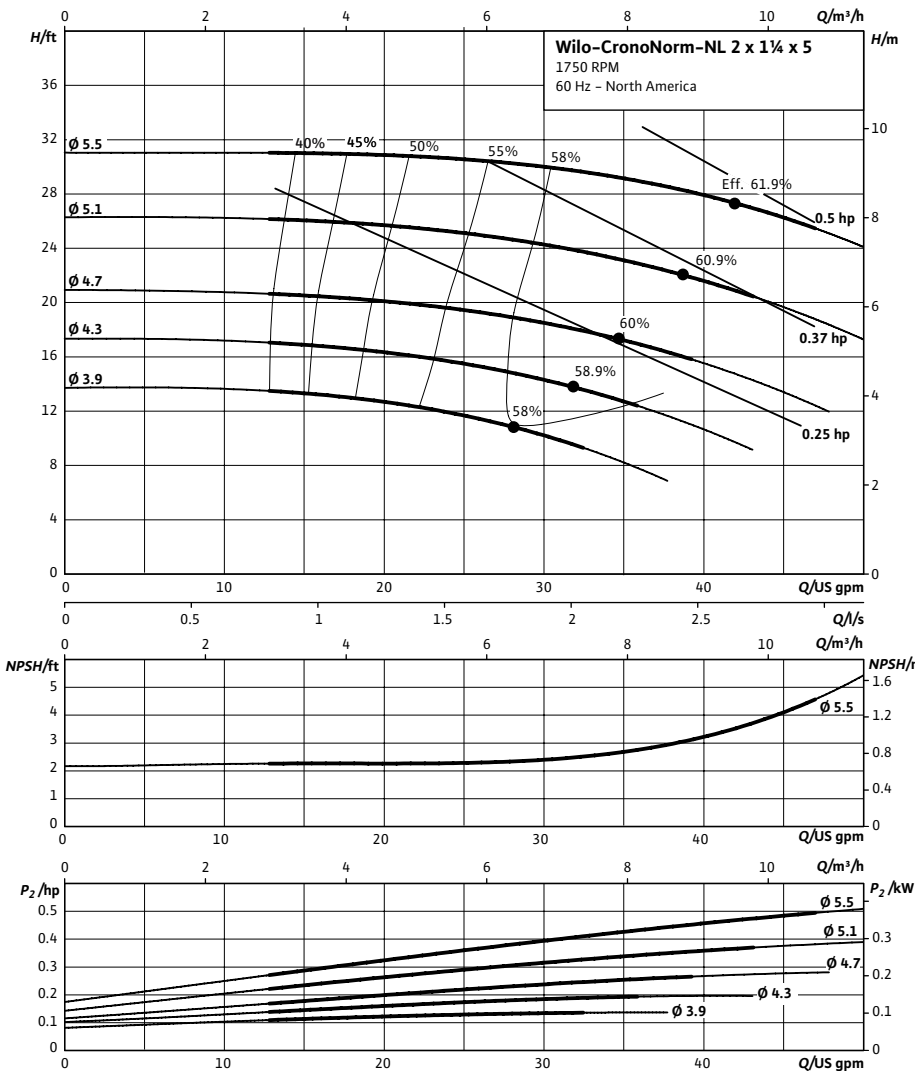


NL 2 x 1 1/4 x 5



| | | | | | | | | | | |
|---------------|--|--|--|--|--|--|-------|--|--|--|
| Project: | | | | | | | | | | |
| Engineer: | | | | | | | | | | |
| Contractor: | | | | | | | | | | |
| Submitted By: | | | | | | | Date: | | | |
| Approved By: | | | | | | | Date: | | | |

| Tag # | Model # | Flow (USGPM) | Head (Feet) | HP | Enclosure TEFC/ODP | Frame | Cycle | Phase | Voltage | RPM |
|-------|------------------|--------------|-------------|----|--------------------|-------|-------|-------|---------|------|
| | NL 2 x 1 1/4 x 5 | | | | | | 60Hz | 3 | | 1750 |



Technical Data

| Approved Fluids | |
|---|-------------------------------|
| Heating Water | |
| Cooling and cold water | |
| Water-Glycol mixtures (for 20-40% glycol and fluid temp ≤ 104°F (40°C)) | |
| Fluid Temperature | |
| Mechanical Seal | 18°F to 250°F (-8°C to 120°C) |
| Stuffing Box Packing | 32°F to 220°F (0°C to 105°C) |

Materials of Construction

| | |
|----------------------------|----------------------------------|
| Pump Housing | C.I. FG260 |
| Impeller | Bronze LG2 |
| Impeller (optional) | C.I. FG260 |
| Pump Shaft | SS AISI 420 |
| Mechanical Seal | Carbon/silicon carbide/EPDM (E1) |
| Other Mechanical Seals | Avail. on request |
| Additional Spacer Coupling | Avail. on request |
| Other: | |

Approval Stamp

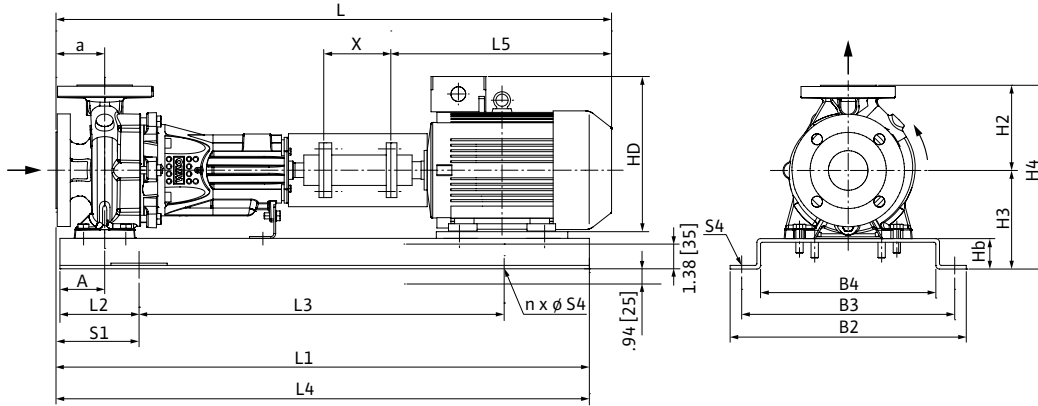
Submittal Data Sheet

Wilo NL - Base Mounted End Suction Pumps



Dimensions & Weights

Wilo NL



NL 2 x 1¼ x 5

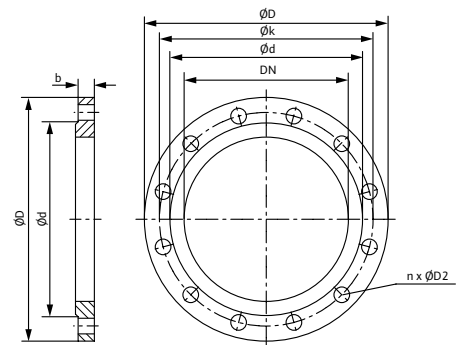
Dimensions - Inches (mm)

| Frame | a | A | L | L1 | L2 | L3 | L4 | L5 | X | HD | H2 | H3 | H4 | Hb | B2 | B3 | B4 | n | S1 | S4 |
|-------|--------------|--------------|----------------|----------------|---------------|----------------|----------------|----------------|-------------|---------------|---------------|---------------|----------------|--------------|----------------|----------------|----------------|---|---------------|----------------|
| 56 | 3.13 (80) | 2.63 (67) | 33.31 (846) | 32.81 (833) | 5.88 (149) | 21.00 (533) | 33.38 (848) | 14.38 (365) | .50 (13) | 6.81 (173) | 5.50 (140) | 6.75 (172) | 12.31 (313) | 2.38 (60) | 14.88 (378) | 13.13 (334) | 10.94 (279) | 4 | 6.44 (164) | .88 (22.35) |

Flange Dimensions - Suction Side

Dimensions - Inches (mm)

| DN S #125 | ØD | Ød | Øk | b | n | D2 |
|-----------|------------|--------------|---------------|-------------|---|-------------|
| 2 | 6 (152) | 3.63 (92) | 4.75 (121) | .75 (19) | 4 | .75 (19) |



Flange Dimensions - Discharge Side

Dimensions - Inches (mm)

| DN D 125# | ØD | Ød | Øk | b | n | D2 |
|-----------|---------------|--------------|--------------|-------------|---|-------------|
| 1¼ | 4.63 (118) | 2.50 (64) | 3.50 (89) | .63 (16) | 4 | .63 (16) |