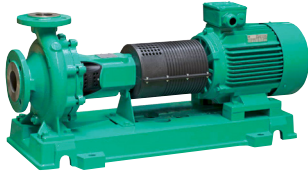


Submittal Data Sheet

Wilco NL - Base Mounted End Suction Pumps

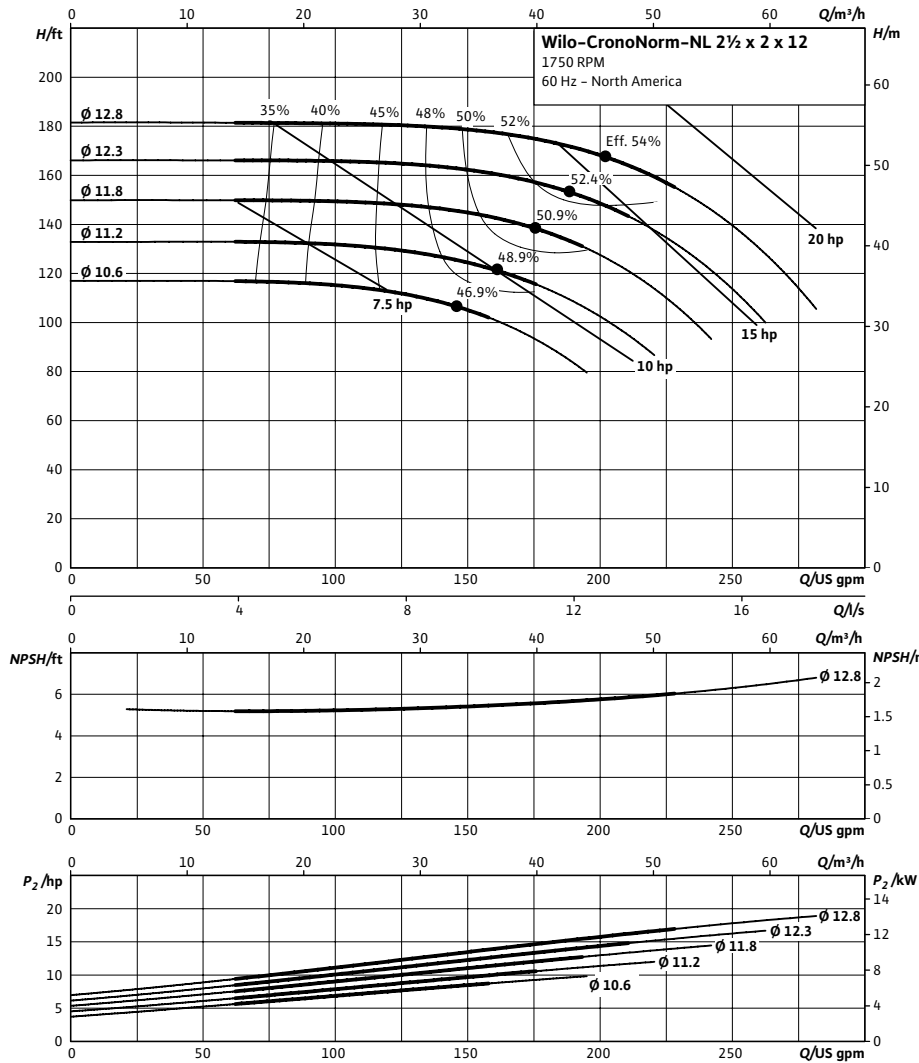


NL 2½ x 2 x 12



| | |
|---------------|-------|
| Project: | |
| Engineer: | |
| Contractor: | |
| Submitted By: | Date: |
| Approved By: | Date: |

| Tag # | Model # | Flow (USGPM) | Head (Feet) | HP | Enclosure TEFC/ODP | Frame | Cycle | Phase | Voltage | RPM |
|-------|----------------|--------------|-------------|----|--------------------|-------|-------|-------|---------|------|
| | NL 2½ x 2 x 12 | | | | | | 60Hz | 3 | | 1750 |



Technical Data

Approved Fluids

- Heating Water
- Cooling and cold water
- Water-Glycol mixtures (for 20-40% glycol and fluid temp ≤ 104°F (40°C))

Fluid Temperature

- Mechanical Seal: 18°F to 250°F (-8°C to 120°C)
- Stuffing Box Packing: 32°F to 220°F (0°C to 105°C)

Materials of Construction

| | |
|---|----------------------------------|
| <input type="checkbox"/> Pump Housing | C.I. FG260 |
| <input type="checkbox"/> Impeller | Bronze LG2 |
| <input type="checkbox"/> Impeller (optional) | C.I. FG260 |
| <input type="checkbox"/> Pump Shaft | SS AISI 420 |
| <input type="checkbox"/> Mechanical Seal | Carbon/silicon carbide/EPDM (E1) |
| <input type="checkbox"/> Other Mechanical Seals | Avail. on request |
| <input type="checkbox"/> Additional Spacer Coupling | Avail. on request |
| <input type="checkbox"/> Other: | |

Approval Stamp

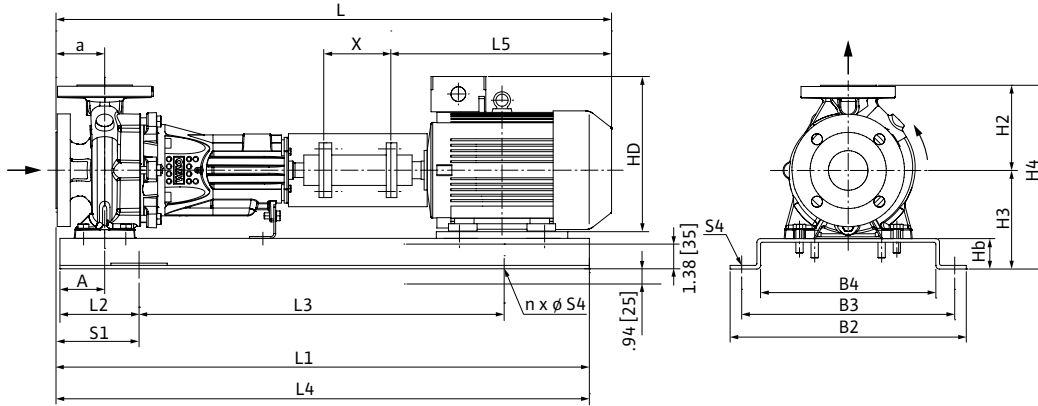
Submittal Data Sheet

Wilo NL - Base Mounted End Suction Pumps



Dimensions & Weights

Wilo NL



NL 2½x 2 x 12

Dimensions - Inches (mm)

| Frame | a | A | L | L1 | L2 | L3 | L4 | L5 | X | HD | H2 | H3 | H4 | Hb | B2 | B3 | B4 | n | S1 | S4 |
|-------|---------------|--------------|-----------------|-----------------|---------------|----------------|-----------------|----------------|------------|----------------|----------------|----------------|----------------|---------------|----------------|----------------|----------------|---|---------------|-------------|
| 213T | 4.94 (125) | 3.75 (95) | 44.44 (1129) | 45.25 (1149) | 7.88 (200) | 29.50 (749) | 46.44 (1180) | 20.50 (521) | .5 (13) | 13.00 (330) | 11.00 (279) | 13.13 (334) | 24.13 (613) | 4.25 (108) | 16.19 (411) | 14.75 (375) | 13.00 (330) | 4 | 9.00 (229) | .63 (16) |
| 215T | 4.94 (125) | 3.75 (95) | 44.44 (1129) | 45.25 (1149) | 7.88 (200) | 29.50 (749) | 46.44 (1180) | 20.50 (521) | .5 (13) | 13.00 (330) | 11.00 (279) | 13.13 (334) | 24.13 (613) | 4.25 (108) | 16.19 (411) | 14.75 (375) | 13.00 (330) | 4 | 9.00 (229) | .63 (16) |
| 254T | 4.94 (125) | 3.75 (95) | 47.13 (1197) | 45.25 (1149) | 7.88 (200) | 29.50 (749) | 46.44 (1180) | 23.19 (589) | .5 (13) | 15.63 (397) | 11.00 (279) | 13.13 (334) | 24.13 (613) | 4.25 (108) | 16.19 (411) | 14.75 (375) | 13.00 (330) | 4 | 9.00 (229) | .63 (16) |
| 256T | 4.94 (125) | 3.75 (95) | 47.13 (1197) | 45.25 (1149) | 7.88 (200) | 29.50 (749) | 46.44 (1180) | 23.19 (589) | .5 (13) | 15.63 (397) | 11.00 (279) | 13.13 (334) | 24.13 (613) | 4.25 (108) | 16.19 (411) | 14.75 (375) | 13.00 (330) | 4 | 9.00 (229) | .63 (16) |
| 284T | 4.94 (125) | 3.75 (95) | 51.69 (1313) | 45.25 (1149) | 7.88 (200) | 29.50 (749) | 46.44 (1180) | 27.75 (705) | .5 (13) | 17.19 (437) | 11.00 (279) | 13.13 (334) | 24.13 (613) | 4.25 (108) | 16.19 (411) | 14.75 (375) | 13.00 (330) | 4 | 9.00 (229) | .63 (16) |

Flange Dimensions - Suction Side

Dimensions - Inches (mm)

| DN S #125 | ØD | Ød | Øk | b | n | D2 |
|-----------|---------------|---------------|---------------|-------------|---|-------------|
| 2½ | 7.00 (178) | 4.13 (105) | 5.50 (140) | .88 (22) | 4 | .75 (19) |

Flange Dimensions - Discharge Side

Dimensions - Inches (mm)

| DN D 125# | ØD | Ød | Øk | b | n | D2 |
|-----------|---------------|--------------|---------------|-------------|---|-------------|
| 2 | 6.00 (152) | 3.63 (92) | 4.75 (121) | .75 (19) | 4 | .75 (19) |

