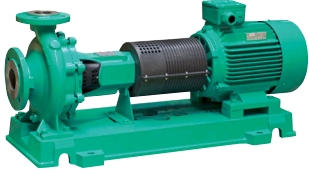


Submittal Data Sheet

Wilo NL - Base Mounted End Suction Pumps

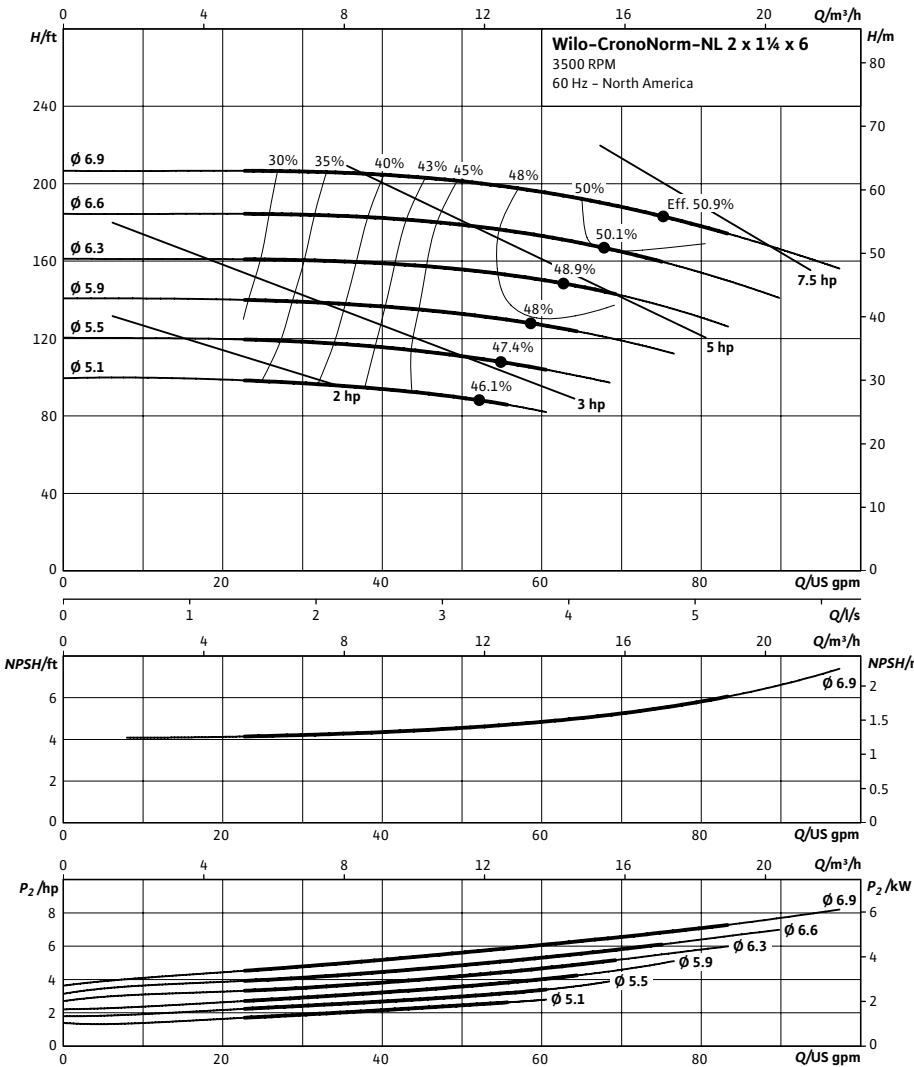


NL 2 x 1¼ x 6



Project:	
Engineer:	
Contractor:	
Submitted By:	Date:
Approved By:	Date:

Tag #	Model #	Flow (USGPM)	Head (Feet)	HP	Enclosure TEFC/ODP	Frame	Cycle	Phase	Voltage	RPM
	NL 2 x 1¼ x 6						60Hz	3		3500



Technical Data

Approved Fluids
 Heating Water
 Cooling and cold water
 Water-Glycol mixtures (for 20-40% glycol and fluid temp ≤ 104°F (40°C))

Fluid Temperature
 Mechanical Seal: 18°F to 250°F (-8°C to 120°C)
 Stuffing Box Packing: 32°F to 220°F (0°C to 105°C)

Materials of Construction

Pump Housing	C.I. FG260
Impeller	Bronze LG2
Impeller (optional)	C.I. FG260
Pump Shaft	SS AISI 420
Mechanical Seal	Carbon/silicon carbide/EPDM (E1)
Other Mechanical Seals	Avail. on request
Additional Spacer Coupling	Avail. on request

Other:

Approval Stamp

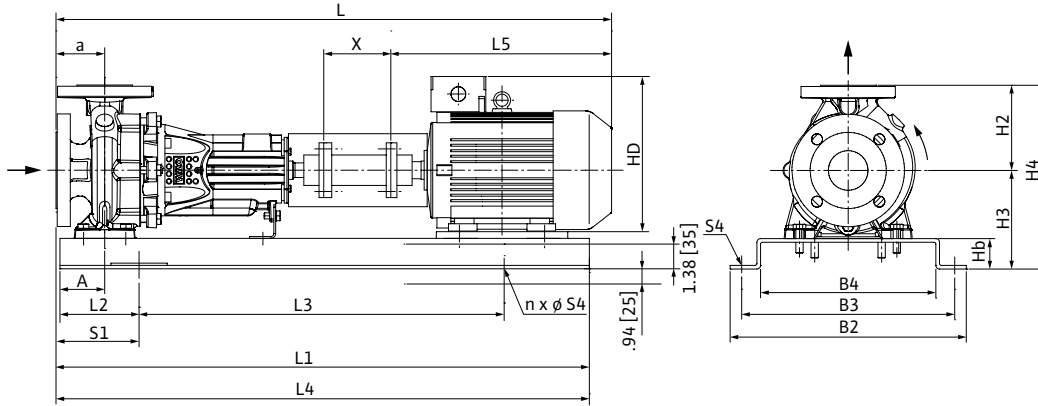
Submittal Data Sheet

Wilo NL – Base Mounted End Suction Pumps



Dimensions & Weights

Wilo NL



NL 2 x 1 1/4 x 6

Dimensions – Inches (mm)

Frame	a	A	L	L1	L2	L3	L4	L5	X	HD	H2	H3	H4	Hb	B2	B3	B4	n	S1	S4
145T	3.13 (80)	2.63 (67)	32.19 (817)	32.81 (833)	5.88 (149)	21.00 (533)	33.38 (848)	14.38 (365)	.50 (13)	6.81 (173)	6.31 (160)	7.56 (192)	13.88 (353)	2.38 (60)	14.88 (378)	13.13 (334)	10.94 (279)	4	6.44 (164)	.88 (22.35)
182T	3.13 (80)	2.63 (67)	35.88 (911)	32.81 (833)	5.88 (149)	21.00 (533)	33.38 (848)	18.00 (457)	.50 (13)	11.25 (286)	6.31 (160)	7.56 (192)	13.88 (353)	2.38 (60)	14.88 (378)	13.13 (334)	10.94 (279)	4	6.44 (164)	.88 (22.35)
184T	3.13 (80)	2.63 (67)	35.88 (911)	32.81 (833)	5.88 (149)	21.00 (533)	33.38 (848)	18.00 (457)	.50 (13)	11.25 (286)	6.31 (160)	7.56 (192)	13.88 (353)	2.38 (60)	14.88 (378)	13.13 (334)	10.94 (279)	4	6.44 (164)	.88 (22.35)
213T	3.13 (80)	2.63 (67)	38.38 (975)	32.81 (833)	5.88 (149)	21.00 (533)	33.38 (848)	20.50 (521)	.50 (13)	13.00 (330)	6.31 (160)	7.94 (202)	13.94 (354)	2.38 (60)	14.88 (378)	13.13 (334)	10.94 (279)	4	6.44 (164)	.88 (22.35)
215T	3.13 (80)	2.63 (67)	38.38 (975)	32.81 (833)	5.88 (149)	21.00 (533)	33.38 (848)	20.50 (521)	.50 (13)	13.00 (330)	6.31 (160)	7.94 (202)	13.94 (354)	2.38 (60)	14.88 (378)	13.13 (334)	10.94 (279)	4	6.44 (164)	.88 (22.35)

Flange Dimensions – Suction Side

Dimensions – Inches (mm)

DN S #125	ØD	Ød	Øk	b	n	D2
2	6 (152)	3.63 (92)	4.75 (121)	.75 (19)	4	.75 (19)

Flange Dimensions – Discharge Side

Dimensions – Inches (mm)

DND 125#	ØD	Ød	Øk	b	n	D2
1 1/4	4.63 (118)	2.50 (64)	3.50 (89)	.63 (16)	4	.63 (16)

