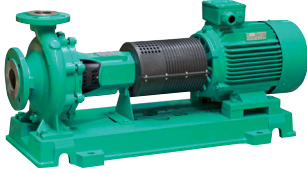


Submittal Data Sheet

Wilo NL - Base Mounted End Suction Pumps

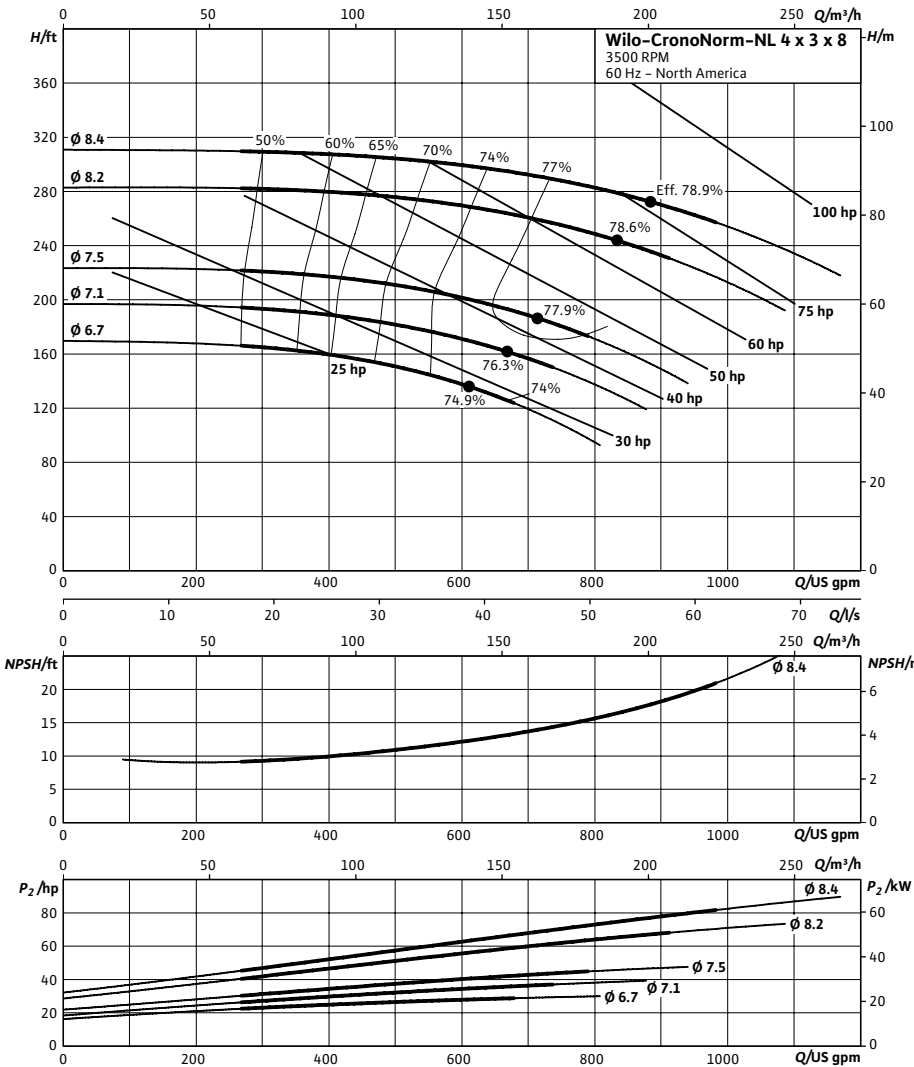


NL 4 x 3 x 8



| | | | | | | | | | | |
|---------------|--|--|--|--|--|--|-------|--|--|--|
| Project: | | | | | | | | | | |
| Engineer: | | | | | | | | | | |
| Contractor: | | | | | | | | | | |
| Submitted By: | | | | | | | Date: | | | |
| Approved By: | | | | | | | Date: | | | |

| Tag # | Model # | Flow (USGPM) | Head (Feet) | HP | Enclosure TEFC/ODP | Frame | Cycle | Phase | Voltage | RPM |
|-------|--------------|--------------|-------------|----|--------------------|-------|-------|-------|---------|------|
| | NL 4 x 3 x 8 | | | | | | 60Hz | 3 | | 3500 |



Technical Data

Approved Fluids

Heating Water
Cooling and cold water

Water-Glycol mixtures (for 20-40% glycol and fluid temp ≤ 104°F (40°C))

Fluid Temperature

Mechanical Seal: 18°F to 250°F (-8°C to 120°C)
Stuffing Box Packing: 32°F to 220°F (0°C to 105°C)

Materials of Construction

| | |
|---|----------------------------------|
| <input type="checkbox"/> Pump Housing | C.I. FG260 |
| <input type="checkbox"/> Impeller | Bronze LG2 |
| <input type="checkbox"/> Impeller (optional) | C.I. FG260 |
| <input type="checkbox"/> Pump Shaft | SS AISI 420 |
| <input type="checkbox"/> Mechanical Seal | Carbon/silicon carbide/EPDM (E1) |
| <input type="checkbox"/> Other Mechanical Seals | Avail. on request |
| <input type="checkbox"/> Additional Spacer Coupling | Avail. on request |
| <input type="checkbox"/> Other: | |

Approval Stamp

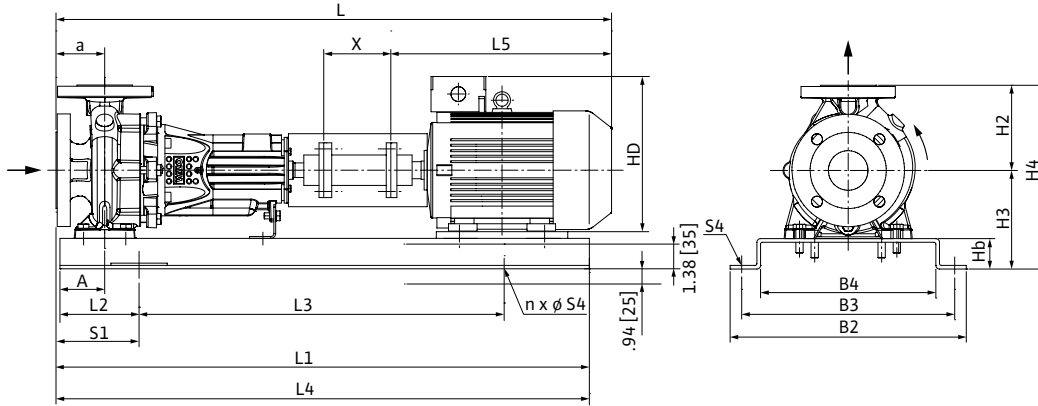
Submittal Data Sheet

Wilo NL - Base Mounted End Suction Pumps



Dimensions & Weights

Wilo NL



NL 4 x 3 x 8

Dimensions - Inches (mm)

| Frame | a | A | L | L1 | L2 | L3 | L4 | L5 | X | HD | H2 | H3 | H4 | Hb | B2 | B3 | B4 | n | S1 | S4 |
|-------|---------------|---------------|-----------------|-----------------|---------------|----------------|-----------------|----------------|------------|----------------|---------------|----------------|----------------|---------------|----------------|----------------|----------------|---|----------------|-------------|
| 256T | 4.94 (125) | 3.75 (95) | 47.06 (1195) | 45.25 (1149) | 7.88 (200) | 29.50 (749) | 46.44 (1180) | 23.19 (589) | .5 (13) | 16.38 (415) | 9.81 (249) | 11.06 (281) | 20.94 (532) | 4.00 (102) | 16.19 (411) | 14.75 (375) | 13.00 (330) | 4 | 9.00 (229) | .63 (16) |
| 284TS | 4.94 (125) | 3.75 (95) | 48.50 (1232) | 45.25 (1149) | 7.88 (200) | 29.50 (749) | 46.44 (1180) | 24.56 (624) | .5 (13) | 19.50 (495) | 9.81 (249) | 11.06 (281) | 20.94 (532) | 4.00 (102) | 16.19 (411) | 14.75 (375) | 13.00 (330) | 4 | 11.00 (279) | .63 (16) |
| 286TS | 4.94 (125) | 3.75 (95) | 48.50 (1232) | 45.25 (1149) | 7.88 (200) | 29.50 (749) | 46.44 (1180) | 24.56 (624) | .5 (13) | 19.50 (495) | 9.81 (249) | 11.06 (281) | 20.94 (532) | 4.00 (102) | 16.19 (411) | 14.75 (375) | 13.00 (330) | 4 | 11.00 (279) | .63 (16) |
| 324TS | 4.94 (125) | 3.75 (95) | 50.63 (1286) | 51.44 (1307) | 9.81 (249) | 31.75 (806) | 52.63 (1337) | 26.69 (678) | .5 (13) | 20.75 (525) | 9.81 (249) | 12.25 (311) | 22.13 (562) | 4.00 (102) | 18.94 (481) | 17.50 (445) | 15.75 (400) | 4 | 11.00 (279) | .63 (16) |
| 326TS | 4.94 (125) | 3.75 (95) | 50.63 (1286) | 51.44 (1307) | 9.81 (249) | 31.75 (806) | 52.63 (1337) | 26.69 (678) | .5 (13) | 20.75 (525) | 9.81 (249) | 12.25 (311) | 22.13 (562) | 4.00 (102) | 18.94 (481) | 17.50 (445) | 15.75 (400) | 4 | 11.00 (279) | .63 (16) |
| 364TS | 4.94 (125) | 3.75 (95) | 52.50 (1333) | 51.44 (1307) | 9.81 (249) | 31.75 (806) | 52.63 (1337) | 30.75 (780) | .5 (13) | 21.75 (552) | 9.81 (249) | 13.25 (337) | 23.13 (587) | 4.00 (102) | 18.94 (481) | 17.50 (445) | 15.75 (400) | 4 | 11.00 (279) | .63 (16) |
| 365TS | 4.94 (125) | 3.75 (95) | 52.50 (1333) | 51.44 (1307) | 9.81 (249) | 31.75 (806) | 52.63 (1337) | 30.75 (780) | .5 (13) | 21.75 (552) | 9.81 (249) | 13.25 (337) | 23.13 (587) | 4.00 (102) | 18.94 (481) | 17.50 (445) | 15.75 (400) | 4 | 11.00 (279) | .63 (16) |
| 405TS | 4.94 (125) | 4.56 (116) | 58.13 (1477) | 55.94 (1421) | 9.81 (249) | 36.25 (920) | 56.25 (1429) | 34.25 (869) | .5 (13) | 23.00 (583) | 9.81 (249) | 14.25 (362) | 24.06 (612) | 4.00 (102) | 22.06 (561) | 20.63 (524) | 17.56 (446) | 4 | 10.19 (259) | .63 (16) |

Flange Dimensions - Suction Side

Dimensions - Inches (mm)

| DN S #125 | ØD | Ød | Øk | b | n | D2 |
|-----------|---------------|---------------|---------------|-------------|---|-------------|
| 4 | 9.00 (229) | 6.19 (157) | 7.50 (191) | .94 (24) | 8 | .75 (19) |

Flange Dimensions - Discharge Side

Dimensions - Inches (mm)

| DN D 125# | ØD | Ød | Øk | b | n | D2 |
|-----------|---------------|---------------|---------------|-------------|---|-------------|
| 3 | 7.50 (191) | 5.50 (140) | 6.00 (152) | .94 (24) | 4 | .75 (19) |

