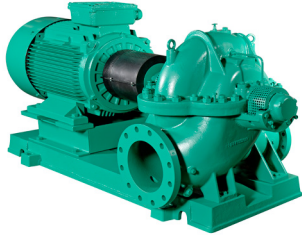


# Submittal Data Sheet

## Wilo SCP – Horizontal Split Case Pumps

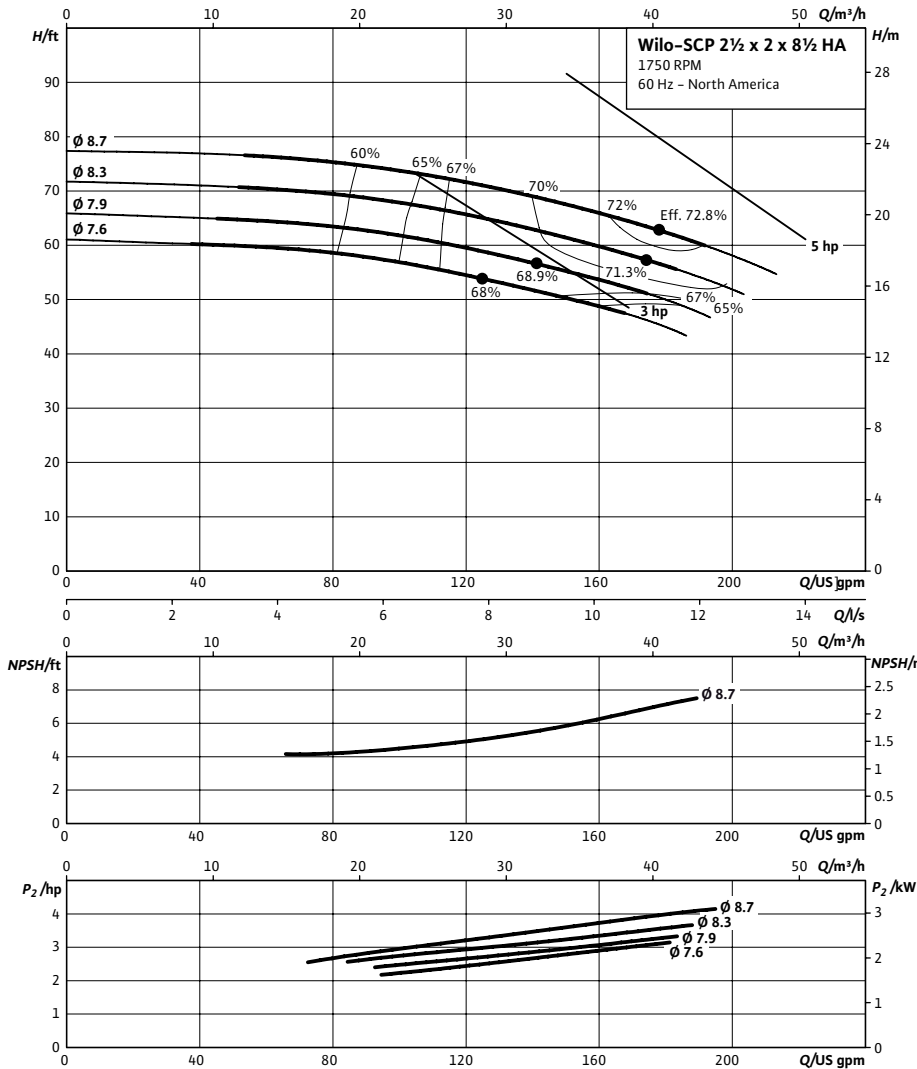


### SCP 2½ x 2 x 8½ HA



Project:	
Engineer:	
Contractor:	
Submitted By:	Date:
Approved By:	Date:

Tag #	Model #	Flow (USGPM)	Head (Feet)	HP	Enclosure TEFC/ODP	Frame	Cycle	Phase	Voltage	RPM
	SCP 2½ x 2 x 8½ HA						60 Hz	3		



#### Technical Data

##### Approved Fluids

Heating Water  
Cooling and cold water

Water-Glycol mixtures (for 20–40% glycol and fluid temp ≤ 104°F [40°C])

##### Fluid Temperature

Mechanical Seal: 18°F to 250°F (–8°C to 120°C)  
Stuffing Box Packing: 18°F to 220°F (–8°C to 105°C)

#### Materials of Construction

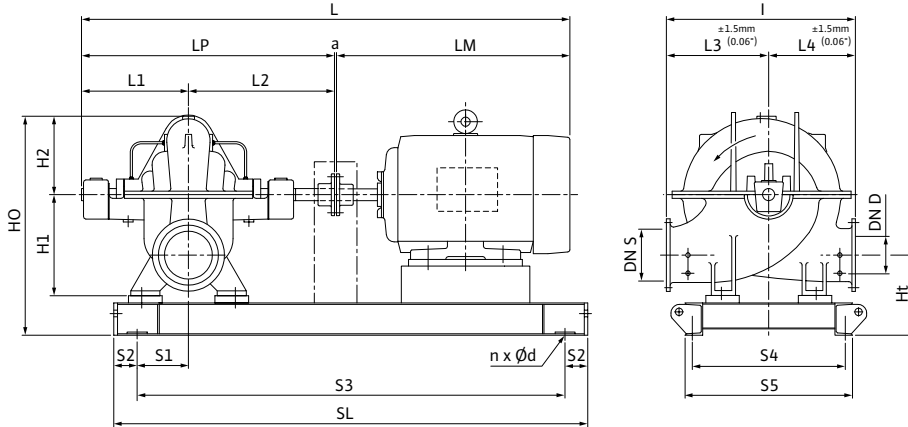
Pump Housing	A48 Class 35
Pump Housing (Optional)	Ni-resist BS 3468 Gr 2 / BS 2789 500.1
Impeller	BS 84 C83 600
Impeller (optional)	A48 Class 35 / BS 84 C83 600
Stationary Wear Rings	BS 84 C93 700
Pump Shaft	A276 type 410
Pump Shaft (optional)	BS 970 316 S16
Mechanical Seal	Carbon/silicon carbide/EPDM (E1)
Other Mechanical Seals	Avail. on request
Additional Spacer Coupling	Avail. on request

Other:  
\_\_\_\_\_  
\_\_\_\_\_  
\_\_\_\_\_



### Dimensional Drawing

### Single Stage Pump



### SCP 2½ x 2 x 8½ HA

Dimensions - Inches (mm)

Frame	a	L	l	L1	L2	L3	L4	LM	LP	H1	H2	HO	Ht	n	Ød	S1	S2	S3	S4	S5	SL	P5	P6
182T	.50 (13)	38.94 (989)	13.38 (340)	10.06 (256)	11.81 (300)	7.50 (191)	5.88 (149)	16.50 (419)	21.88 (556)	7.88 (200)	5.63 (143)	18.00 (457)	7.50 (191)	4	.91 (23)	.94 (24)	4.00 (102)	22.75 (578)	9.44 (240)	11.00 (279)	30.75 (781)	-	-
184T	.50 (13)	38.94 (989)	13.38 (340)	10.06 (256)	11.81 (300)	7.50 (191)	5.88 (149)	16.50 (419)	21.88 (556)	7.88 (200)	5.63 (143)	18.00 (457)	7.50 (191)	4	.91 (23)	.94 (24)	4.00 (102)	22.75 (578)	9.44 (240)	11.00 (279)	30.75 (781)	-	-

### Flange Dimensions – Suction Side

Dimensions - Inches (mm)

DN S #125	ØD	Ød	Øk	b	n	D2
2½	7.00 (178)	4.13 (105)	5.50 (140)	.88 (22)	4	.75 (19)

### Flange Dimensions – Discharge Side

Dimensions - Inches (mm)

DN D 125#	ØD	Ød	Øk	b	n	D2
2	6.00 (152)	3.63 (92)	4.75 (121)	.75 (19)	4	.75 (19)

