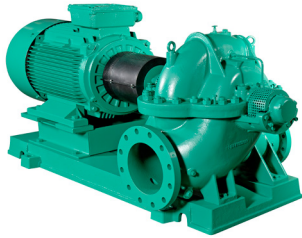


Submittal Data Sheet

Wilo SCP – Horizontal Split Case Pumps

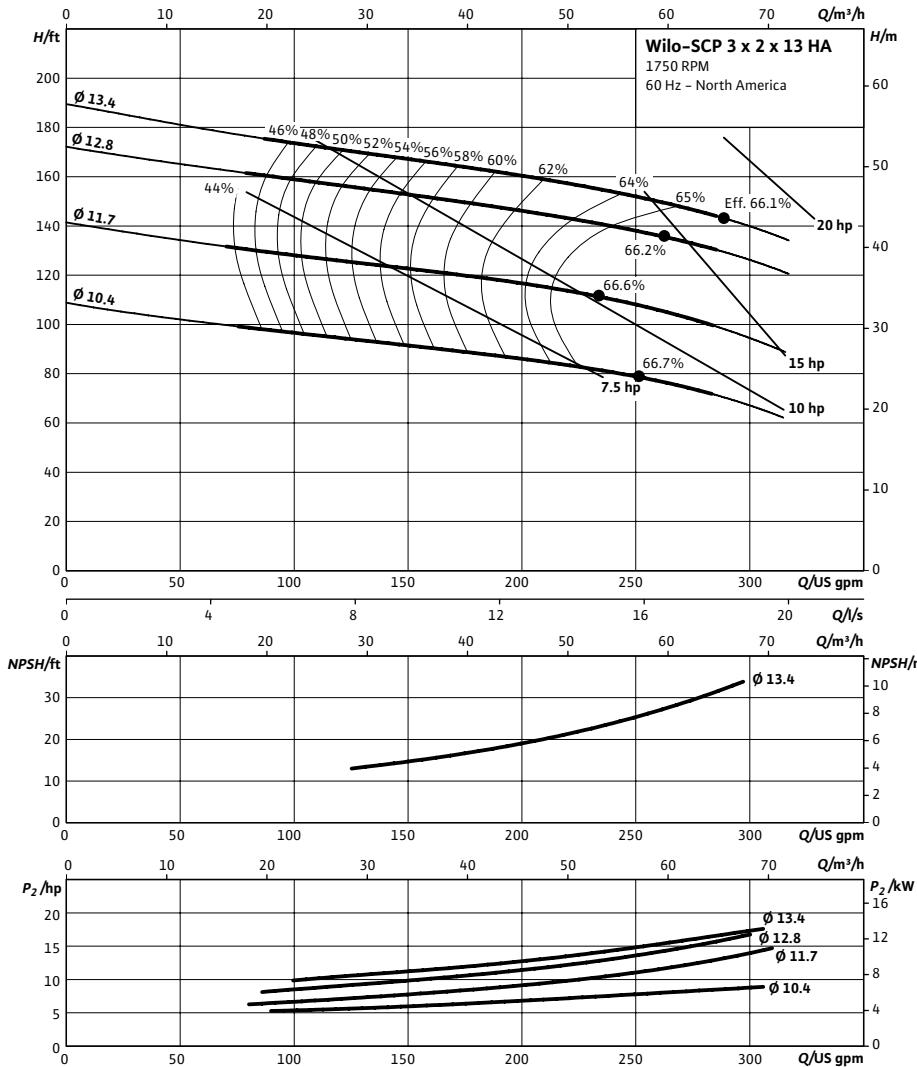


SCP 3 x 2 x 13 HA



Project:	
Engineer:	
Contractor:	
Submitted By:	Date:
Approved By:	Date:

Tag #	Model #	Flow (USGPM)	Head (Feet)	HP	Enclosure TEFC/ODP	Frame	Cycle	Phase	Voltage	RPM
	SCP 3 x 2 x 13 HA						60 Hz	3		



Technical Data

Approved Fluids

Heating Water
Cooling and cold water

Water-Glycol mixtures (for 20–40% glycol and fluid temp ≤ 104°F [40°C])

Fluid Temperature

Mechanical Seal: 18°F to 250°F (–8°C to 120°C)
Stuffing Box Packing: 18°F to 220°F (–8°C to 105°C)

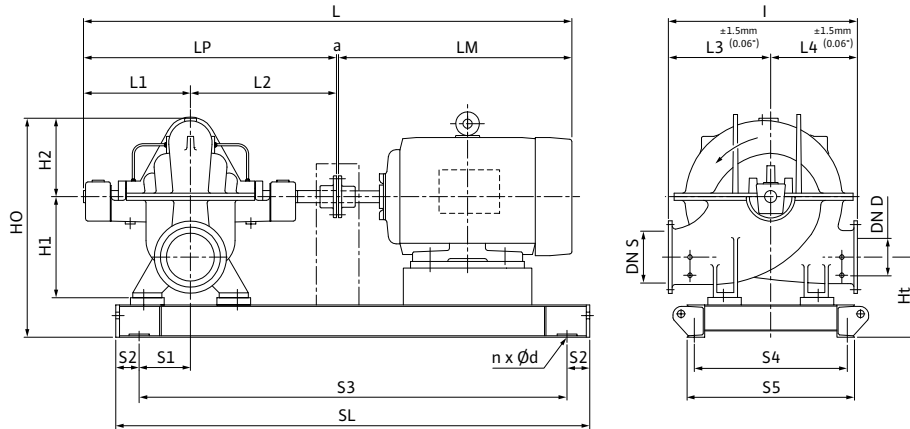
Materials of Construction

<input type="checkbox"/>	Pump Housing	A48 Class 35
<input type="checkbox"/>	Pump Housing (Optional)	Ni-resist BS 3468 Gr 2 / BS 2789 500.1
<input type="checkbox"/>	Impeller	BS 84 C83 600
<input type="checkbox"/>	Impeller (optional)	A48 Class 35 / BS 84 C83 600
<input type="checkbox"/>	Stationary Wear Rings	BS 84 C93 700
<input type="checkbox"/>	Pump Shaft	A276 type 410
<input type="checkbox"/>	Pump Shaft (optional)	BS 970 316 S16
<input type="checkbox"/>	Mechanical Seal	Carbon/silicon carbide/EPDM (E1)
<input type="checkbox"/>	Other Mechanical Seals	Avail. on request
<input type="checkbox"/>	Additional Spacer Coupling	Avail. on request
<input type="checkbox"/>	Other:	

Approval Stamp

Dimensional Drawing

Single Stage Pump



SCP 3 x 2 x 13 HA

Dimensions - Inches (mm)

Frame	a	L	l	L1	L2	L3	L4	LM	LP	H1	H2	HO	Ht	n	Ød	S1	S2	S3	S4	S5	SL	P5	P6
184T	.50 (13)	44.69 (1135)	18.88 (480)	12.50 (318)	15.19 (386)	10.25 (260)	8.56 (218)	16.56 (421)	27.63 (702)	9.81 (249)	8.38 (213)	22.88 (581)	6.94 (176)	4	.91 (23)	1.94 (49)	4.00 (102)	26.44 (672)	10.25 (260)	11.88 (302)	34.44 (875)	-	-
213T	.50 (13)	46.00 (1168)	18.88 (480)	12.50 (318)	15.19 (386)	10.25 (260)	8.56 (218)	17.88 (454)	27.63 (702)	9.81 (249)	8.38 (213)	22.88 (581)	6.94 (176)	4	.91 (23)	1.94 (49)	4.00 (102)	29.38 (746)	10.31 (262)	11.88 (302)	37.38 (949)	-	-
215T	.50 (13)	47.13 (1197)	18.88 (480)	12.50 (318)	15.19 (386)	10.25 (260)	8.56 (218)	19.00 (483)	27.63 (702)	9.81 (249)	8.38 (213)	22.88 (581)	6.94 (176)	4	.91 (23)	1.94 (49)	4.00 (102)	29.38 (746)	10.31 (262)	11.88 (302)	37.38 (949)	-	-
254T	.50 (13)	49.19 (1249)	18.88 (480)	12.50 (318)	15.19 (386)	10.25 (260)	8.56 (218)	21.06 (535)	27.63 (702)	9.81 (249)	8.38 (213)	22.88 (581)	6.94 (176)	4	.91 (23)	1.94 (49)	4.00 (102)	32.06 (814)	12.06 (306)	13.63 (346)	40.06 (1018)	-	-
256T	.50 (13)	51.31 (1303)	18.88 (480)	12.50 (318)	15.19 (386)	10.25 (260)	8.56 (218)	23.19 (589)	27.63 (702)	9.81 (249)	8.38 (213)	22.88 (581)	6.94 (176)	4	.91 (23)	1.94 (49)	4.00 (102)	33.81 (859)	12.06 (306)	13.63 (346)	41.81 (1062)	-	-

Flange Dimensions – Suction Side

Dimensions - Inches (mm)

DN S #125	ØD	Ød	Øk	b	n	D2
3	7.50 (191)	5.50 (140)	6.00 (152)	.94 (24)	4	.75 (19)

Flange Dimensions – Discharge Side

Dimensions - Inches (mm)

DND 125#	ØD	Ød	Øk	b	n	D2
2	6.00 (152)	3.63 (92)	4.75 (121)	.75 (19)	4	.75 (19)

