

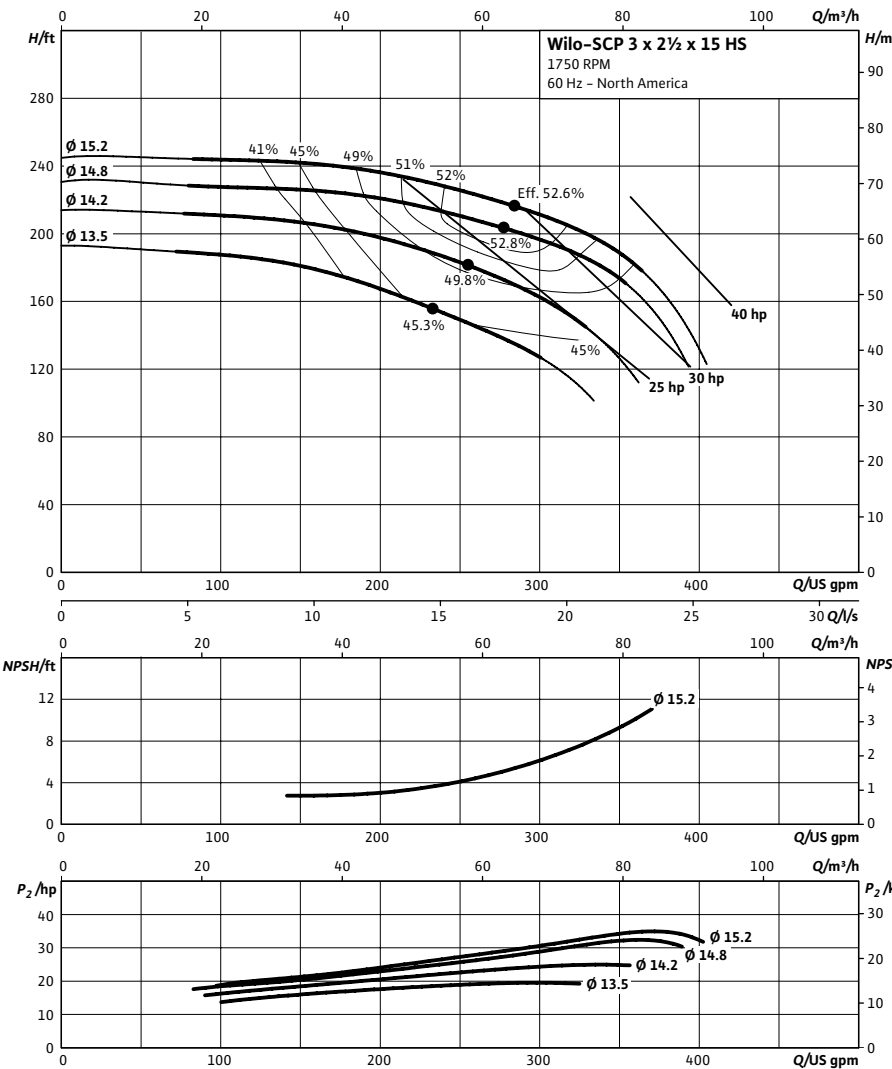
Submittal Data Sheet

Wilco SCP - Horizontal Split Case Pumps



SCP 3 x 2 1/2 x 15 HS

	Project:									
	Engineer:									
	Contractor:									
	Submitted By:					Date:				
	Approved By:					Date:				
Tag #	Model #	Flow (USGPM)	Head (Feet)	HP	Enclosure TEFC/ODP	Frame	Cycle	Phase	Voltage	RPM
	SCP 3 x 2 1/2 x 15 HS						60 Hz	3		



Technical Data

Approved Fluids
 Heating Water
 Cooling and cold water
 Water-Glycol mixtures (for 20-40% glycol and fluid temp ≤ 104°F [40°C])

Fluid Temperature
 Mechanical Seal: 18°F to 250°F (-8°C to 120°C)
 Stuffing Box Packing: 18°F to 220°F (-8°C to 105°C)

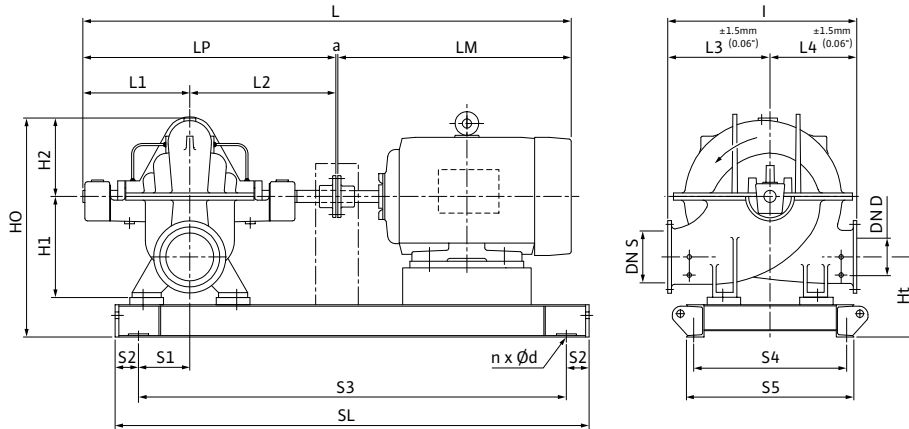
Materials of Construction

<input type="checkbox"/>	Pump Housing	A48 Class 35
<input type="checkbox"/>	Pump Housing (Optional)	Ni-resist BS 3468 Gr 2 / BS 2789 500.1
<input type="checkbox"/>	Impeller	BS 84 C83 600
<input type="checkbox"/>	Impeller (optional)	A48 Class 35 / BS 84 C83 600
<input type="checkbox"/>	Stationary Wear Rings	BS 84 C93 700
<input type="checkbox"/>	Pump Shaft	A276 type 410
<input type="checkbox"/>	Pump Shaft (optional)	BS 970 316 S16
<input type="checkbox"/>	Mechanical Seal	Carbon/silicon carbide/EPDM (E1)
<input type="checkbox"/>	Other Mechanical Seals	Avail. on request
<input type="checkbox"/>	Additional Spacer Coupling	Avail. on request
<input type="checkbox"/>	Other:	

Approval Stamp

Dimensional Drawing

Single Stage Pump



SCP 3 x 2½ x 15 HS

Dimensions - Inches (mm)

Frame	a	L	I	L1	L2	L3	L4	LM	LP	H1	H2	HO	Ht	n	Ød	S1	S2	S3	S4	S5	SL	P5	P6
284T	.50 (13)	53.50 (1359)	21.63 (549)	11.75 (298)	15.31 (389)	11.81 (300)	9.81 (249)	25.94 (656)	27.06 (687)	11.00 (279)	9.06 (230)	24.69 (627)	7.19 (183)	4	.91 (23)	1.69 (43)	4.00 (102)	36.50 (927)	13.06 (331)	14.63 (372)	44.50 (1130)	-	-
286T	.50 (13)	53.50 (1359)	21.63 (549)	11.75 (298)	15.31 (389)	11.81 (300)	9.81 (249)	25.94 (656)	27.06 (687)	11.00 (279)	9.06 (230)	24.69 (627)	7.19 (183)	4	.91 (23)	1.69 (43)	4.00 (102)	36.50 (927)	13.06 (331)	14.63 (372)	44.50 (1130)	-	-
324T	.50 (13)	57.94 (1472)	21.63 (549)	11.75 (298)	15.31 (389)	11.81 (300)	9.81 (249)	25.94 (656)	27.06 (687)	11.00 (279)	9.06 (230)	24.69 (627)	7.19 (183)	4	.91 (23)	1.69 (43)	4.00 (102)	38.88 (988)	15.06 (383)	16.63 (422)	46.88 (1191)	-	-

Flange Dimensions – Suction Side

Dimensions - Inches (mm)

DN S #125	ØD	Ød	Øk	b	n	D2
3	7.50 (191)	5.50 (140)	6.00 (152)	.94 (24)	4	.75 (19)

Flange Dimensions – Discharge Side

Dimensions - Inches (mm)

DN D 125#	ØD	Ød	Øk	b	n	D2
2½	7.00 (178)	4.13 (105)	5.50 (140)	.88 (22)	4	.75 (19)

