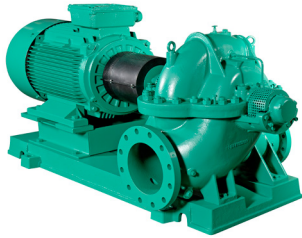


Submittal Data Sheet

Wilo SCP – Horizontal Split Case Pumps

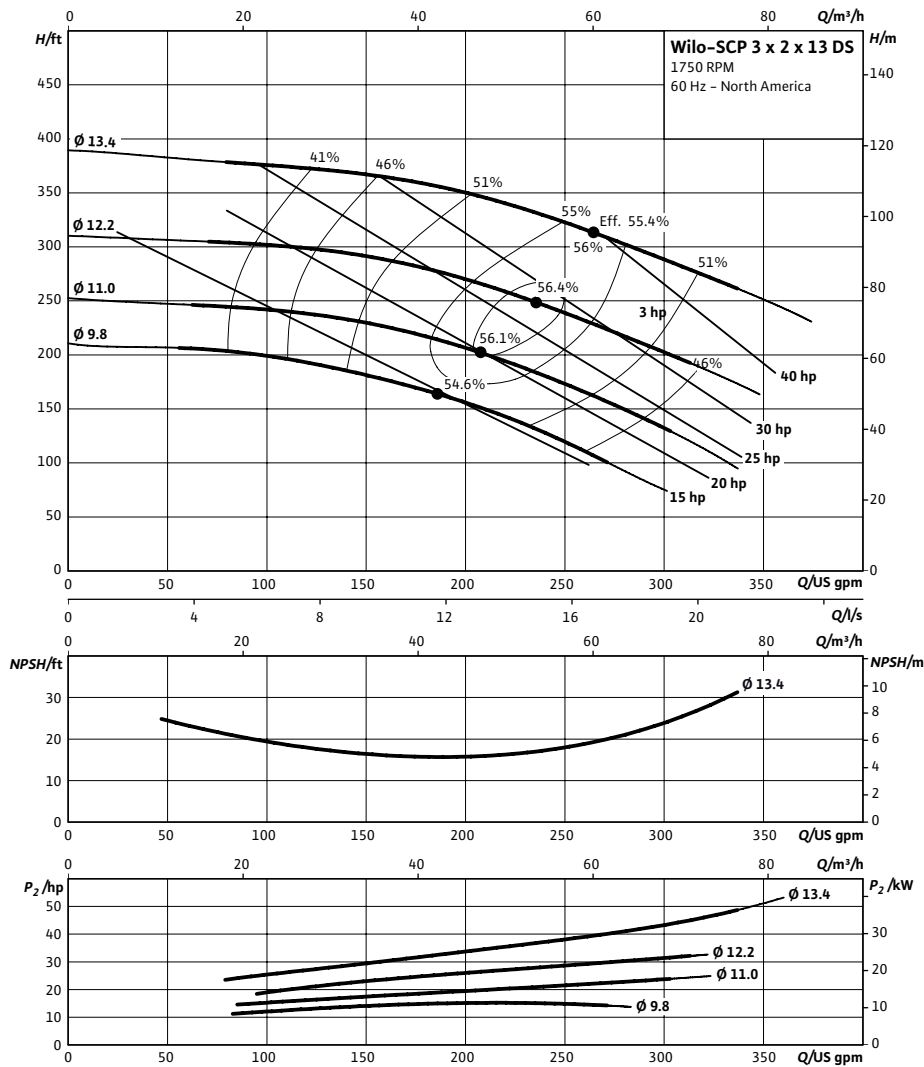


SCP 3 x 2 x 13 DS



Project:	
Engineer:	
Contractor:	
Submitted By:	Date:
Approved By:	Date:

Tag #	Model #	Flow (USGPM)	Head (Feet)	HP	Enclosure TEFC/ODP	Frame	Cycle	Phase	Voltage	RPM
	SCP 3 x 2 x 13 DS						60 Hz	3		



Technical Data

Approved Fluids

Heating Water
Cooling and cold water

Water-Glycol mixtures (for 20–40% glycol and fluid temp ≤ 104°F [40°C])

Fluid Temperature

Mechanical Seal: 18°F to 250°F (–8°C to 120°C)
Stuffing Box Packing: 18°F to 220°F (–8°C to 105°C)

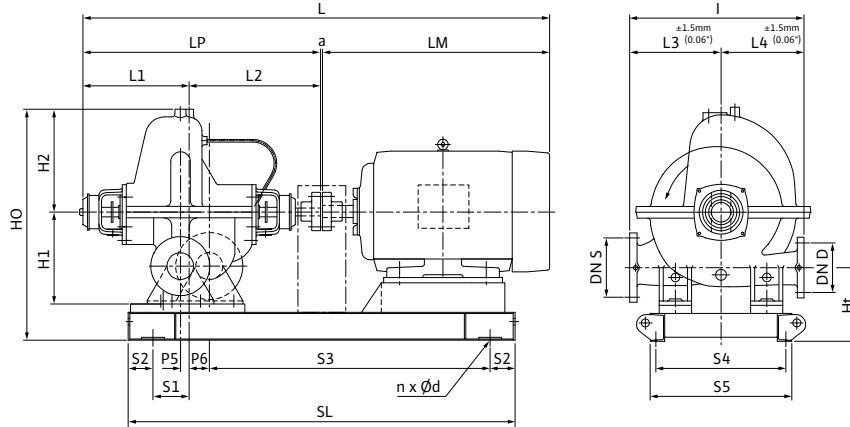
Materials of Construction

<input type="checkbox"/>	Pump Housing	A48 Class 35
<input type="checkbox"/>	Pump Housing (Optional)	Ni-resist BS 3468 Gr 2 / BS 2789 500.1
<input type="checkbox"/>	Impeller	BS 84 C83 600
<input type="checkbox"/>	Impeller (optional)	A48 Class 35 / BS 84 C83 600
<input type="checkbox"/>	Stationary Wear Rings	BS 84 C93 700
<input type="checkbox"/>	Pump Shaft	A276 type 410
<input type="checkbox"/>	Pump Shaft (optional)	BS 970 316 S16
<input type="checkbox"/>	Mechanical Seal	Carbon/silicon carbide/EPDM (E1)
<input type="checkbox"/>	Other Mechanical Seals	Avail. on request
<input type="checkbox"/>	Additional Spacer Coupling	Avail. on request
<input type="checkbox"/>	Other:	

Approval Stamp

Dimensional Drawing

Dual Stage Pump



SCP 3 x 2 x 13 DS

Dimensions - Inches (mm)

Frame	a	L	l	L1	L2	L3	L4	LM	LP	H1	H2	HO	Ht	n	Ød	S1	S2	S3	S4	S5	SL	P5	P6
254T	.50 (13)	53.00 (1346)	20.25 (514)	15.00 (381)	16.44 (418)	11.81 (300)	8.44 (214)	21.06 (535)	31.44 (799)	11.44 (291)	8.88 (226)	25.88 (657)	9.81 (249)	4	.91 (23)	2.88 (73)	4.00 (102)	34.94 (887)	11.31 (287)	13.63 (346)	42.94 (1091)	1.69 (43)	4.63 (118)
256T	.50 (13)	55.06 (1399)	20.25 (514)	15.00 (381)	16.44 (418)	11.81 (300)	8.44 (214)	21.06 (535)	31.44 (799)	11.44 (291)	8.88 (226)	25.88 (657)	9.81 (249)	4	.91 (23)	2.88 (73)	4.00 (102)	36.69 (932)	11.31 (287)	13.63 (346)	44.69 (1135)	1.69 (43)	4.63 (118)
284T	.50 (13)	57.88 (1470)	20.25 (514)	15.00 (381)	16.44 (418)	11.81 (300)	8.44 (214)	21.06 (535)	31.44 (799)	11.44 (291)	8.88 (226)	25.88 (657)	9.81 (249)	4	.91 (23)	2.88 (73)	4.00 (102)	38.81 (986)	12.31 (313)	14.63 (371)	46.81 (1189)	1.69 (43)	4.63 (118)
286T	.50 (13)	57.88 (1470)	20.25 (514)	15.00 (381)	16.44 (418)	11.81 (300)	8.44 (214)	21.06 (535)	31.44 (799)	11.44 (291)	8.88 (226)	25.88 (657)	9.81 (249)	4	.91 (23)	2.88 (73)	4.00 (102)	39.81 (986)	12.31 (313)	14.63 (371)	46.81 (1189)	1.69 (43)	4.63 (118)
324T	.50 (13)	62.31 (1583)	20.25 (514)	15.00 (381)	16.44 (418)	11.81 (300)	8.44 (214)	21.06 (535)	31.44 (799)	11.44 (291)	8.88 (226)	25.88 (657)	9.81 (249)	4	.91 (23)	2.88 (73)	4.00 (102)	41.19 (1046)	14.31 (364)	16.63 (422)	49.19 (1251)	1.69 (43)	4.63 (118)
326T	.50 (13)	62.31 (1583)	20.25 (514)	15.00 (381)	16.44 (418)	11.81 (300)	8.44 (214)	21.06 (535)	31.44 (799)	11.44 (291)	8.88 (226)	25.88 (657)	9.81 (249)	4	.91 (23)	2.88 (73)	4.00 (102)	41.19 (1046)	14.31 (364)	16.63 (422)	49.19 (1251)	1.69 (43)	4.63 (118)

Flange Dimensions – Suction Side

Dimensions - Inches (mm)

DN S #125	ØD	Ød	Øk	b	n	D2
3	7.50 (191)	5.50 (140)	6.00 (152)	.94 (24)	4	.75 (19)

Flange Dimensions – Discharge Side

Dimensions - Inches (mm)

DN D 125#	ØD	Ød	Øk	b	n	D2
2	6.00 (152)	3.63 (92)	4.75 (121)	.75 (19)	4	.75 (19)

