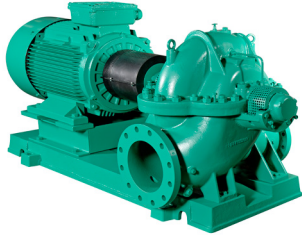


Submittal Data Sheet

Wilo SCP – Horizontal Split Case Pumps

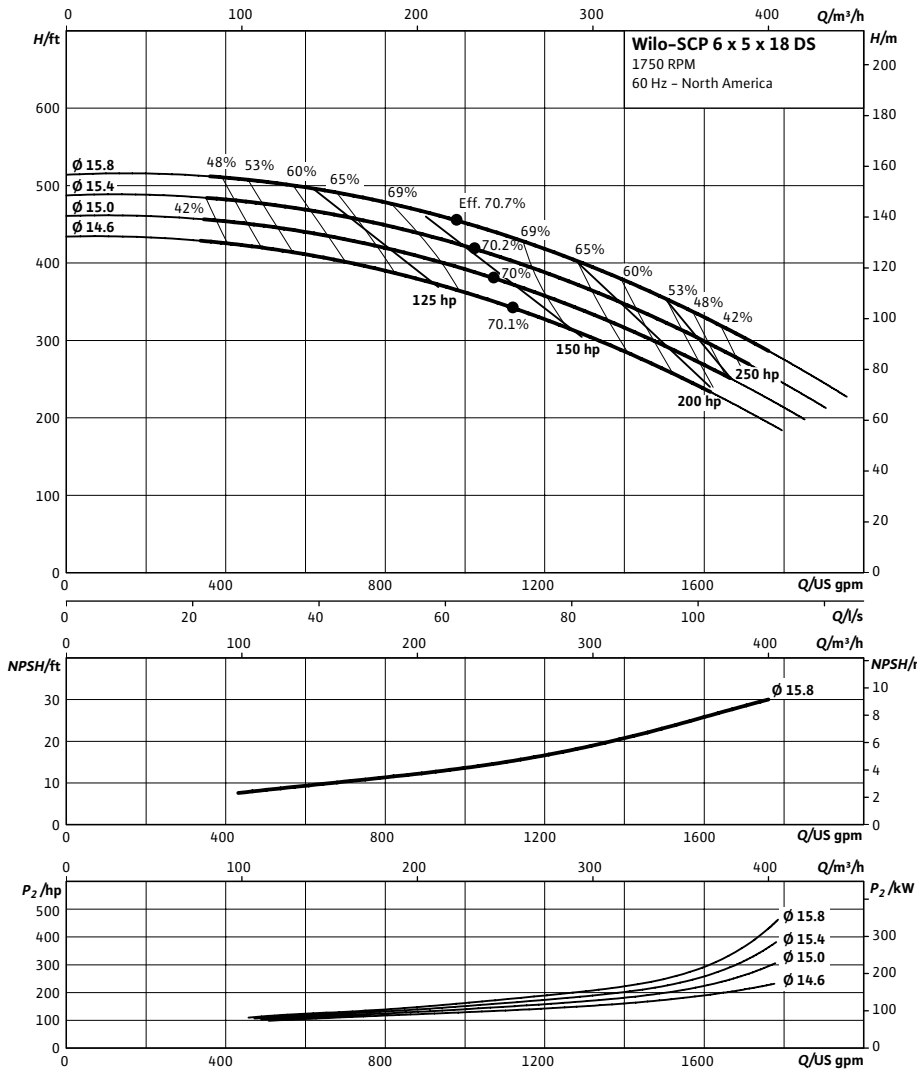


SCP 6 x 5 x 18 DS



Project:	
Engineer:	
Contractor:	
Submitted By:	Date:
Approved By:	Date:

Tag #	Model #	Flow (USGPM)	Head (Feet)	HP	Enclosure TEFC/ODP	Frame	Cycle	Phase	Voltage	RPM
	SCP 6 x 5 x 18 DS						60 Hz	3		



Technical Data

Approved Fluids

Heating Water
Cooling and cold water

Water-Glycol mixtures (for 20-40% glycol and fluid temp ≤ 104°F [40°C])

Fluid Temperature

Mechanical Seal 18°F to 250°F (-8°C to 120°C)
Stuffing Box Packing 18°F to 220°F (-8°C to 105°C)

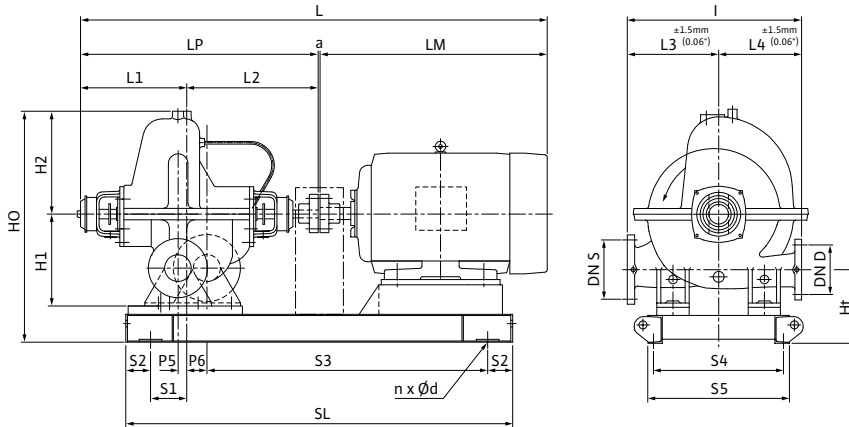
Materials of Construction

<input type="checkbox"/>	Pump Housing	A48 Class 35
<input type="checkbox"/>	Pump Housing (Optional)	Ni-resist BS 3468 Gr 2 / BS 2789 500.1
<input type="checkbox"/>	Impeller	BS 84 C83 600
<input type="checkbox"/>	Impeller (optional)	A48 Class 35 / BS 84 C83 600
<input type="checkbox"/>	Stationary Wear Rings	BS 84 C93 700
<input type="checkbox"/>	Pump Shaft	A276 type 410
<input type="checkbox"/>	Pump Shaft (optional)	BS 970 316 S16
<input type="checkbox"/>	Mechanical Seal	Carbon/silicon carbide/EPDM (E1)
<input type="checkbox"/>	Other Mechanical Seals	Avail. on request
<input type="checkbox"/>	Additional Spacer Coupling	Avail. on request
<input type="checkbox"/>	Other:	

Approval Stamp

Dimensional Drawing

Dual Stage Pump



SCP 6 x 5 x 18 DS

Dimensions - Inches (mm)

Frame	a	L	I	L1	L2	L3	L4	LM	LP	H1	H2	HO	Ht	n	Ød	S1	S2	S3	S4	S5	SL	P5	P6
405T	.50 (13)	88.06 (2237)	29.50 (749)	20.50 (521)	22.81 (579)	15.75 (400)	13.75 (349)	44.25 (1124)	43.31 (1100)	15.75 (400)	16.13 (410)	37.69 (957)	11.94 (303)	4	.91 (23)	3.88 (99)	4.00 (102)	54.06 (1373)	21.13 (537)	23.44 (595)	62.06 (1576)	1.75 (44)	4.31 (110)
444T	.50 (13)	88.06 (2237)	29.50 (749)	20.50 (521)	22.81 (579)	15.75 (400)	13.75 (349)	44.25 (1124)	43.31 (1100)	15.75 (400)	16.13 (410)	37.69 (957)	11.94 (303)	4	.91 (23)	3.88 (99)	4.00 (102)	59.19 (1503)	21.69 (551)	23.88 (607)	67.19 (1707)	1.75 (44)	4.31 (110)
445T/ 200 hp	.50 (13)	88.06 (2237)	29.50 (749)	20.50 (521)	22.81 (579)	15.75 (400)	13.75 (349)	44.25 (1124)	43.31 (1100)	15.75 (400)	16.13 (410)	37.69 (957)	11.94 (303)	4	.91 (23)	3.88 (99)	4.00 (102)	59.19 (1503)	21.69 (551)	23.88 (607)	67.19 (1707)	1.75 (44)	4.31 (110)
445T/ 250 hp	.19 (5)	91.25 (2318)	29.50 (749)	20.50 (521)	22.81 (579)	15.75 (400)	13.75 (349)	47.75 (1213)	43.31 (1100)	15.75 (400)	16.13 (410)	37.69 (957)	11.94 (303)	4	.91 (23)	3.88 (99)	4.00 (102)	59.88 (1521)	21.69 (551)	23.88 (607)	67.88 (1724)	1.75 (44)	4.31 (110)

Flange Dimensions - Suction Side

Dimensions - Inches (mm)

DN S #125	ØD	Ød	Øk	b	n	D2
6	11.00 (279)	8.50 (216)	9.50 (241)	1.00 (25)	8	.88 (22)

Flange Dimensions - Discharge Side

Dimensions - Inches (mm)

DND 125#	ØD	Ød	Øk	b	n	D2
5	10.00 (254)	7.31 (186)	8.50 (216)	.94 (24)	8	.88 (22)

