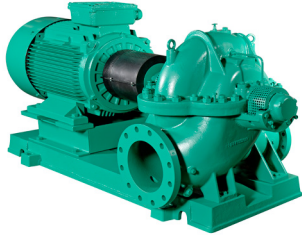


# Submittal Data Sheet

## Wilco SCP - Horizontal Split Case Pumps

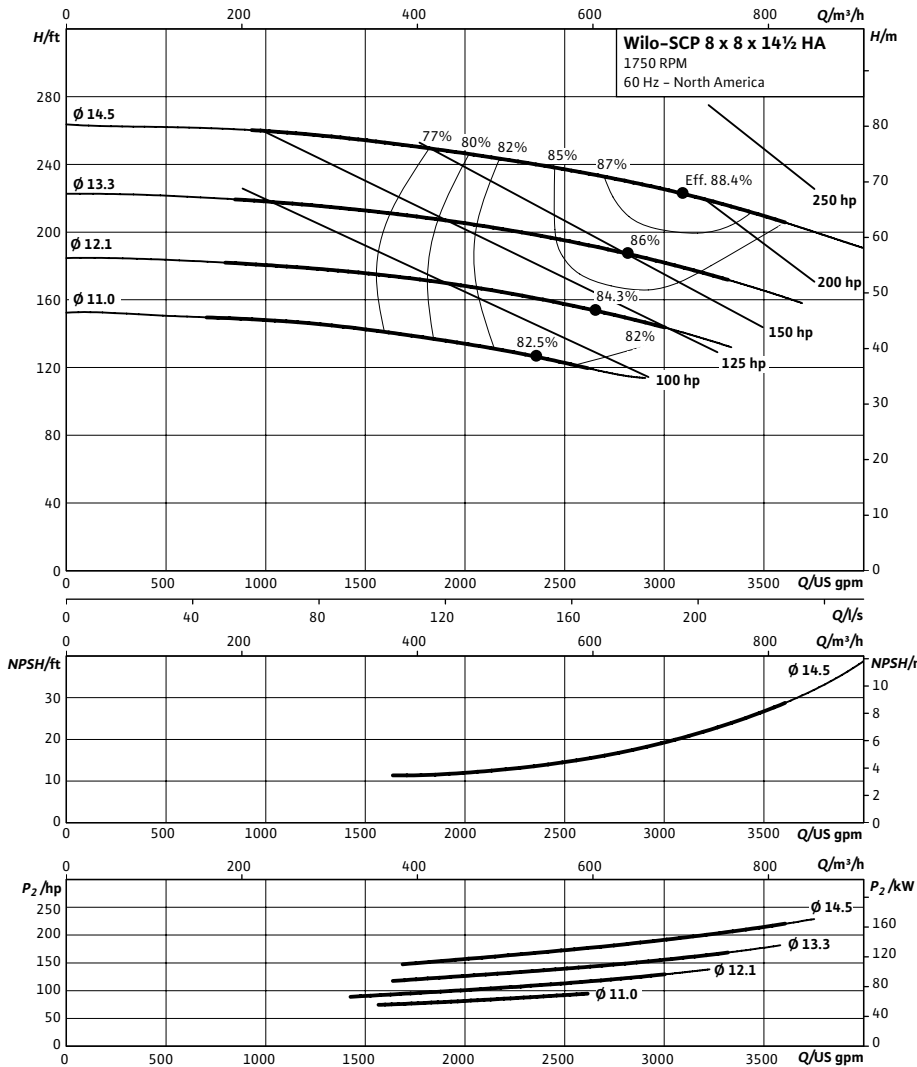


### SCP 8 x 8 x 14½ HA



Project:	
Engineer:	
Contractor:	
Submitted By:	Date:
Approved By:	Date:

Tag #	Model #	Flow (USGPM)	Head (Feet)	HP	Enclosure TEFC/ODP	Frame	Cycle	Phase	Voltage	RPM
	SCP 8 x 8 x 14½ HA						60 Hz	3		



#### Technical Data

##### Approved Fluids

Heating Water  
Cooling and cold water

Water-Glycol mixtures (for 20-40% glycol and fluid temp  $\leq 104^\circ\text{F}$  [ $40^\circ\text{C}$ ])

##### Fluid Temperature

Mechanical Seal: 18°F to 250°F (-8°C to 120°C)  
Stuffing Box Packing: 18°F to 220°F (-8°C to 105°C)

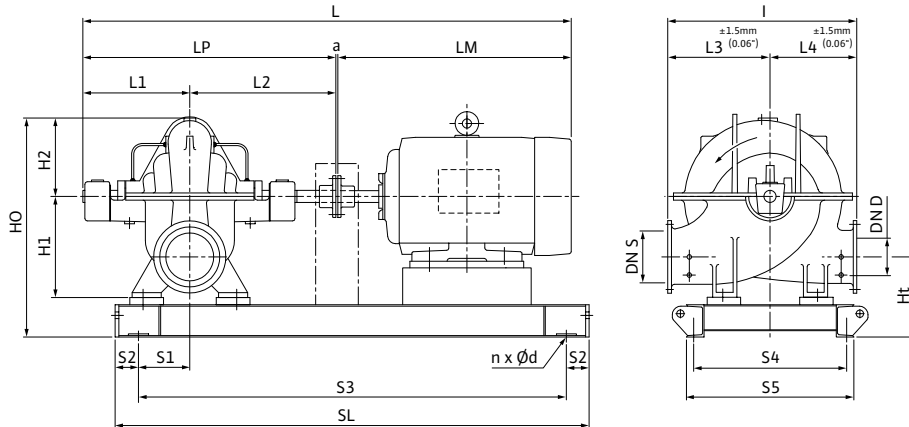
#### Materials of Construction

<input type="checkbox"/>	Pump Housing	A48 Class 35
<input type="checkbox"/>	Pump Housing (Optional)	Ni-resist BS 3468 Gr 2 / BS 2789 500.1
<input type="checkbox"/>	Impeller	BS 84 C83 600
<input type="checkbox"/>	Impeller (optional)	A48 Class 35 / BS 84 C83 600
<input type="checkbox"/>	Stationary Wear Rings	BS 84 C93 700
<input type="checkbox"/>	Pump Shaft	A276 type 410
<input type="checkbox"/>	Pump Shaft (optional)	BS 970 316 S16
<input type="checkbox"/>	Mechanical Seal	Carbon/silicon carbide/EPDM (E1)
<input type="checkbox"/>	Other Mechanical Seals	Avail. on request
<input type="checkbox"/>	Additional Spacer Coupling	Avail. on request
<input type="checkbox"/>	Other:	

Approval Stamp

### Dimensional Drawing

### Single Stage Pump



### SCP 8 x 8 x 14½ HA

Dimensions - Inches (mm)

Frame	a	L	I	L1	L2	L3	L4	LM	LP	H1	H2	HO	Ht	n	Ød	S1	S2	S3	S4	S5	SL	P5	P6
404T	.50 (13)	78.81 (2002)	30.31 (770)	19.00 (483)	22.06 (560)	16.56 (421)	13.75 (349)	37.25 (946)	41.06 (1043)	16.94 (430)	12.19 (310)	34.94 (887)	12.13 (308)	4	.91 (23)	5.44 (138)	4.00 (102)	54.88 (1394)	18.94 (481)	21.31 (541)	62.88 (1597)	-	-
405T	.50 (13)	85.81 (2180)	30.31 (770)	19.00 (483)	22.06 (560)	16.56 (421)	13.75 (349)	44.25 (1124)	41.06 (1043)	16.94 (430)	12.19 (310)	34.94 (887)	12.13 (308)	4	.91 (23)	5.44 (138)	4.00 (102)	54.88 (1394)	18.94 (481)	21.31 (541)	62.88 (1597)	-	-
444T	.50 (13)	85.81 (2180)	30.31 (770)	19.00 (483)	22.06 (560)	16.56 (421)	13.75 (349)	44.25 (1124)	41.06 (1043)	16.94 (430)	12.19 (310)	34.94 (887)	12.13 (308)	4	.91 (23)	5.44 (138)	4.00 (102)	60.00 (1524)	21.56 (548)	23.88 (607)	68.00 (1727)	-	-
445T / 200 hp	.50 (13)	85.81 (2180)	30.31 (770)	19.00 (483)	22.06 (560)	16.56 (421)	13.75 (349)	44.25 (1124)	41.06 (1043)	16.94 (430)	12.19 (310)	34.94 (887)	12.13 (308)	4	.91 (23)	5.44 (138)	4.00 (102)	60.00 (1524)	21.56 (548)	23.88 (607)	68.00 (1727)	-	-
445T / 250 hp	.19 (5)	89.00 (2261)	30.31 (770)	19.00 (483)	22.06 (560)	16.56 (421)	13.75 (349)	47.75 (1213)	41.06 (1043)	16.94 (430)	12.19 (310)	34.94 (887)	12.13 (308)	4	.91 (23)	5.44 (138)	4.00 (102)	60.69 (1542)	21.56 (548)	23.88 (607)	68.69 (1745)	-	-
445T / 300 hp	.19 (5)	94.69 (2405)	30.31 (770)	19.00 (483)	22.06 (560)	16.56 (421)	13.75 (349)	53.38 (1356)	41.06 (1043)	16.94 (430)	12.19 (310)	34.94 (887)	12.13 (308)	4	.91 (23)	5.44 (138)	4.00 (102)	60.69 (1542)	21.56 (548)	23.88 (607)	68.69 (1745)	-	-

### Flange Dimensions - Suction Side

Dimensions - Inches (mm)

DN S #125	ØD	Ød	Øk	b	n	D2
8	13.50 (343)	10.63 (270)	11.75 (298)	1.13 (29)	8	.88 (22)

### Flange Dimensions - Discharge Side

Dimensions - Inches (mm)

DN D 125#	ØD	Ød	Øk	b	n	D2
8	13.50 (343)	10.63 (270)	11.75 (298)	1.13 (29)	8	.88 (22)

