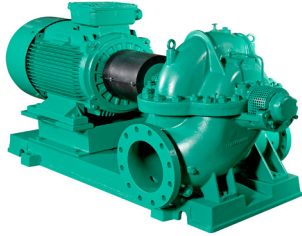


Submittal Data Sheet

Wilco SCP - Horizontal Split Case Pumps

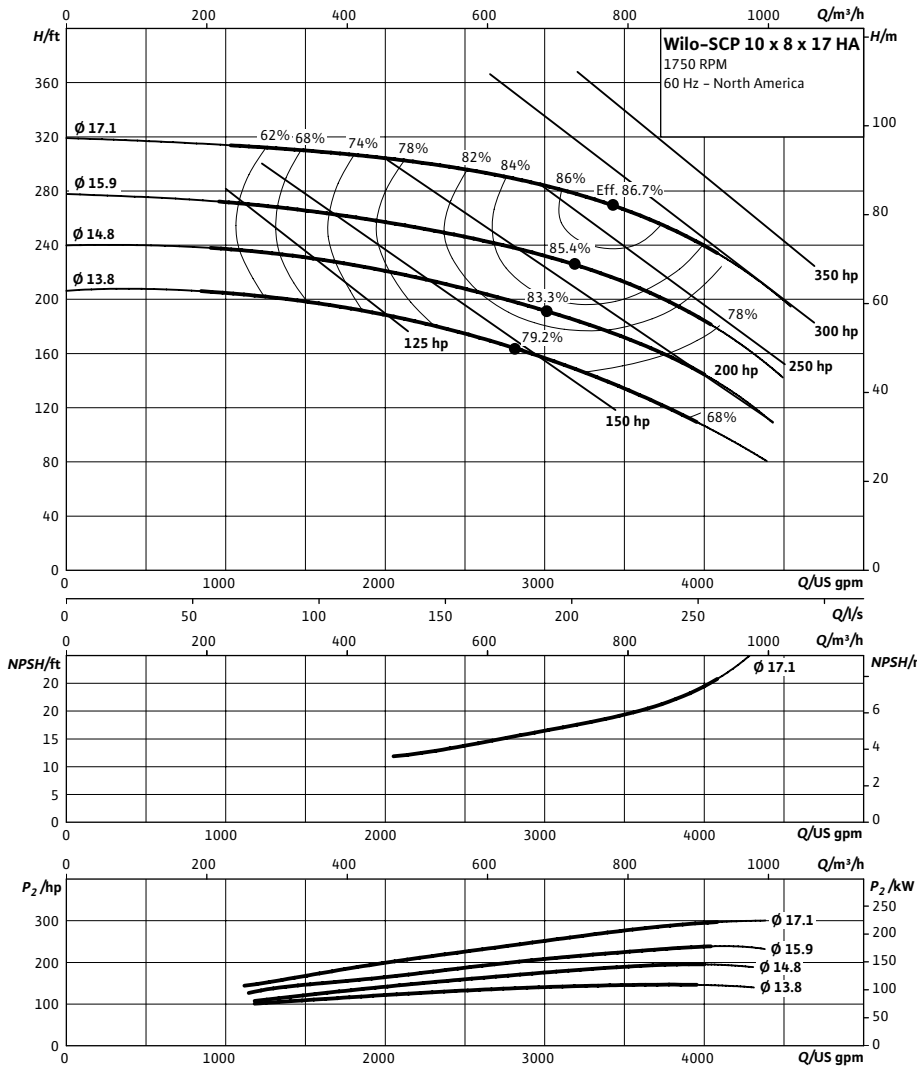


SCP 10 x 8 x 17 HA



| | | | | | | | | | | |
|---------------|--|--|--|--|--|--|-------|--|--|--|
| Project: | | | | | | | | | | |
| Engineer: | | | | | | | | | | |
| Contractor: | | | | | | | | | | |
| Submitted By: | | | | | | | Date: | | | |
| Approved By: | | | | | | | Date: | | | |

| Tag # | Model # | Flow (USGPM) | Head (Feet) | HP | Enclosure TEFC/ODP | Frame | Cycle | Phase | Voltage | RPM |
|-------|--------------------|--------------|-------------|----|--------------------|-------|-------|-------|---------|-----|
| | SCP 10 x 8 x 17 HA | | | | | | 60 Hz | 3 | | |



Technical Data

Approved Fluids

Heating Water
Cooling and cold water

Water-Glycol mixtures (for 20-40% glycol and fluid temp ≤ 104°F [40°C])

Fluid Temperature

Mechanical Seal: 18°F to 250°F (-8°C to 120°C)
Stuffing Box Packing: 18°F to 220°F (-8°C to 105°C)

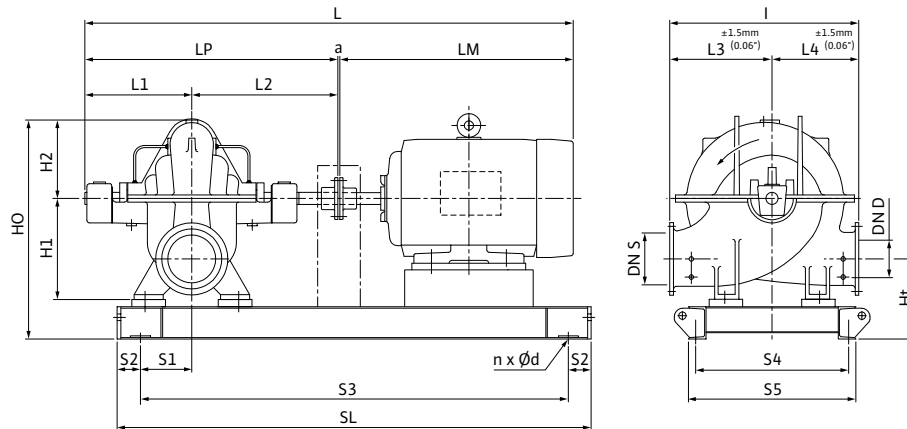
Materials of Construction

| | |
|---|--|
| <input type="checkbox"/> Pump Housing | A48 Class 35 |
| <input type="checkbox"/> Pump Housing (Optional) | Ni-resist BS 3468 Gr 2 / BS 2789 500.1 |
| <input type="checkbox"/> Impeller | BS 84 C83 600 |
| <input type="checkbox"/> Impeller (optional) | A48 Class 35 / BS 84 C83 600 |
| <input type="checkbox"/> Stationary Wear Rings | BS 84 C93 700 |
| <input type="checkbox"/> Pump Shaft | A276 type 410 |
| <input type="checkbox"/> Pump Shaft (optional) | BS 970 316 S16 |
| <input type="checkbox"/> Mechanical Seal | Carbon/silicon carbide/EPDM (E1) |
| <input type="checkbox"/> Other Mechanical Seals | Avail. on request |
| <input type="checkbox"/> Additional Spacer Coupling | Avail. on request |
| <input type="checkbox"/> Other: | |

Approval Stamp

Dimensional Drawing

Single Stage Pump



SCP 10 x 8 x 17 HA

| Dimensions - Inches (mm) | | | | | | | | | | | | | | | | | | | | | | | |
|--------------------------|-------------|-----------------|----------------|----------------|----------------|----------------|----------------|-----------------|-----------------|----------------|----------------|----------------|----------------|---|-------------|---------------|---------------|-----------------|----------------|----------------|-----------------|----|----|
| Frame | a | L | I | L1 | L2 | L3 | L4 | LM | LP | H1 | H2 | HO | Ht | n | Ød | S1 | S2 | S3 | S4 | S5 | SL | P5 | P6 |
| 405T | .50 (13) | 89.13 (2264) | 33.06 (840) | 19.88 (505) | 24.50 (622) | 17.31 (440) | 15.75 (400) | 44.25 (1124) | 44.38 (1127) | 18.31 (465) | 13.00 (330) | 37.25 (946) | 12.44 (316) | 4 | .91 (23) | 6.44 (164) | 4.00 (102) | 58.31 (1481) | 21.69 (551) | 24.06 (611) | 66.31 (1684) | - | - |
| 444T | .50 (13) | 89.13 (2264) | 33.06 (840) | 19.88 (505) | 24.50 (622) | 17.31 (440) | 15.75 (400) | 44.25 (1124) | 44.38 (1127) | 18.31 (465) | 13.00 (330) | 37.25 (946) | 12.44 (316) | 4 | .91 (23) | 6.44 (164) | 4.00 (102) | 63.44 (1611) | 21.69 (551) | 24.06 (611) | 71.44 (1815) | - | - |
| 445T/ 200 hp | .50 (13) | 89.13 (2264) | 33.06 (840) | 19.88 (505) | 24.50 (622) | 17.31 (440) | 15.75 (400) | 44.25 (1124) | 44.38 (1127) | 18.31 (465) | 13.00 (330) | 37.25 (946) | 12.44 (316) | 4 | .91 (23) | 6.25 (159) | 4.00 (102) | 63.44 (1611) | 21.69 (551) | 24.06 (611) | 71.44 (1815) | - | - |
| 445T/ 250 hp | .19 (5) | 92.31 (2340) | 33.06 (840) | 19.88 (505) | 24.50 (622) | 17.31 (440) | 15.75 (400) | 47.75 (1213) | 44.38 (1127) | 18.31 (465) | 13.00 (330) | 37.25 (946) | 12.44 (316) | 4 | .91 (23) | 6.25 (159) | 4.00 (102) | 64.13 (1629) | 21.69 (551) | 24.06 (611) | 72.13 (1832) | - | - |
| 445T/ 300 hp | .19 (5) | 98.00 (2489) | 33.06 (840) | 19.88 (505) | 24.50 (622) | 17.31 (440) | 15.75 (400) | 53.38 (1356) | 44.38 (1127) | 18.31 (465) | 13.00 (330) | 37.25 (946) | 12.44 (316) | 4 | .91 (23) | 6.25 (159) | 4.00 (102) | 64.13 (1629) | 21.69 (551) | 24.06 (611) | 72.13 (1832) | - | - |
| 449T | .19 (5) | 98.00 (2489) | 33.06 (840) | 19.88 (505) | 24.50 (622) | 17.31 (440) | 15.75 (400) | 53.38 (1356) | 44.38 (1127) | 18.31 (465) | 13.00 (330) | 37.25 (946) | 12.44 (316) | 4 | .91 (23) | 6.25 (159) | 4.00 (102) | 72.38 (1838) | 21.69 (551) | 24.06 (611) | 80.38 (2052) | - | - |

Flange Dimensions – Suction Side

| Dimensions - Inches (mm) | | | | | | |
|--------------------------|----------------|----------------|----------------|--------------|----|--------------|
| DN S #125 | ØD | Ød | Øk | b | n | D2 |
| 10 | 16.00 (406) | 12.75 (324) | 14.25 (362) | 1.19 (30) | 12 | 1.00 (25) |

Flange Dimensions – Discharge Side

| Dimensions - Inches (mm) | | | | | | |
|--------------------------|----------------|----------------|----------------|--------------|---|-------------|
| DND 125# | ØD | Ød | Øk | b | n | D2 |
| 8 | 13.50 (343) | 10.63 (270) | 11.75 (298) | 1.13 (29) | 8 | .88 (22) |

