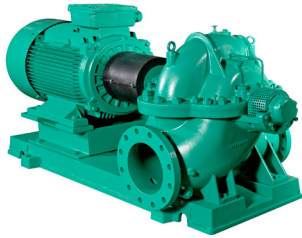


Submittal Data Sheet

Wilo SCP – Horizontal Split Case Pumps

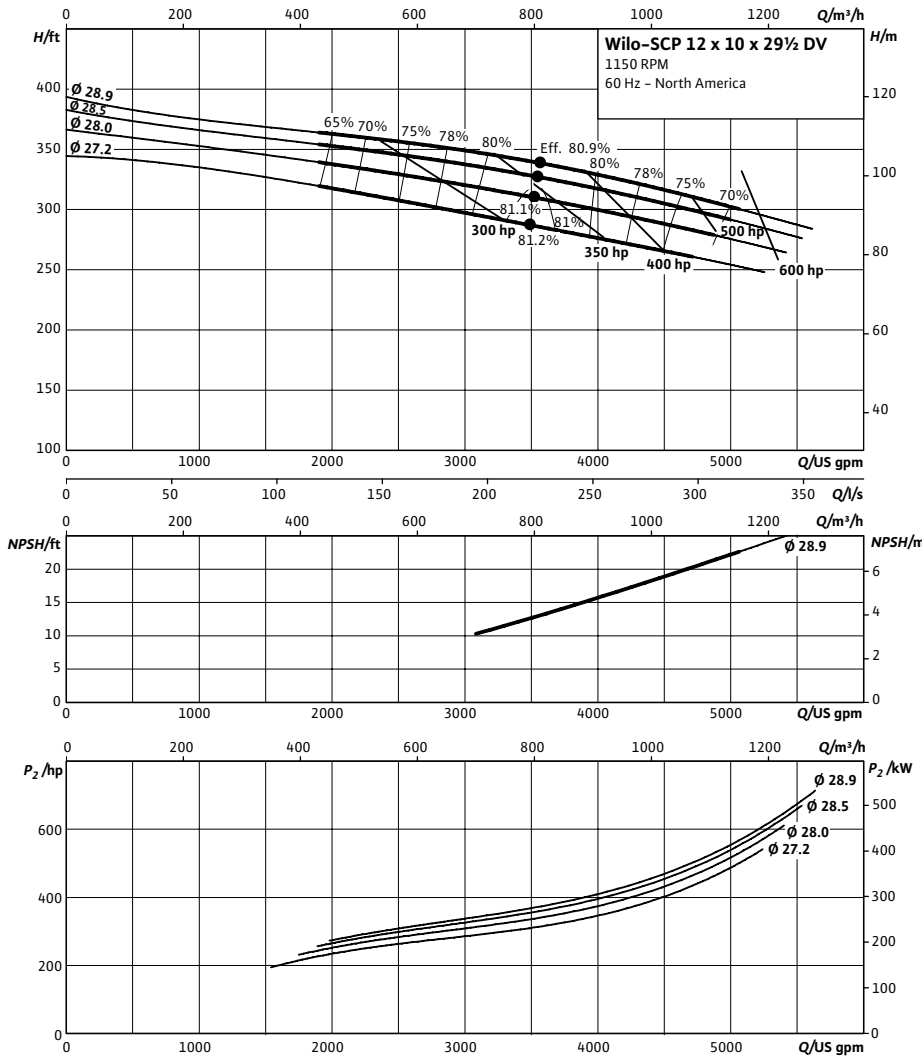


SCP 12 x 10 x 29½ DV



Project:	
Engineer:	
Contractor:	
Submitted By:	Date:
Approved By:	Date:

Tag #	Model #	Flow (USGPM)	Head (Feet)	HP	Enclosure TEFC/ODP	Frame	Cycle	Phase	Voltage	RPM
	SCP 12 x 10 x 29½ DV						60 Hz	3		



Technical Data

Approved Fluids

Heating Water
Cooling and cold water

Water-Glycol mixtures (for 20–40% glycol and fluid temp ≤ 104°F [40°C])

Fluid Temperature

Mechanical Seal 18°F to 250°F (–8°C to 120°C)
Stuffing Box Packing 18°F to 220°F (–8°C to 105°C)

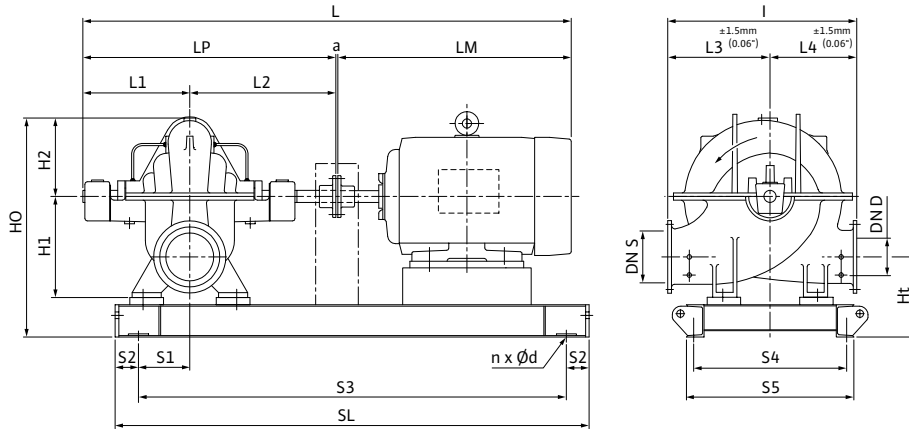
Materials of Construction

<input type="checkbox"/>	Pump Housing	A48 Class 35
<input type="checkbox"/>	Pump Housing (Optional)	Ni-resist BS 3468 Gr 2 / BS 2789 500.1
<input type="checkbox"/>	Impeller	BS 84 C83 600
<input type="checkbox"/>	Impeller (optional)	A48 Class 35 / BS 84 C83 600
<input type="checkbox"/>	Stationary Wear Rings	BS 84 C93 700
<input type="checkbox"/>	Pump Shaft	A276 type 410
<input type="checkbox"/>	Pump Shaft (optional)	BS 970 316 S16
<input type="checkbox"/>	Mechanical Seal	Carbon/silicon carbide/EPDM (E1)
<input type="checkbox"/>	Other Mechanical Seals	Avail. on request
<input type="checkbox"/>	Additional Spacer Coupling	Avail. on request
<input type="checkbox"/>	Other:	

Approval Stamp

Dimensional Drawing

Single Stage Pump



SCP 12 x 10 x 29½ DV

Dimensions - Inches (mm)

Frame	a	L	I	L1	L2	L3	L4	LM	LP	H1	H2	HO	Ht	n	Ød	S1	S2	S3	S4	S5	SL	P5	P6
*	.19 (5)	*	47.00 (1194)	25.31 (643)	30.13 (765)	25.00 (635)	22.00 (559)	*	55.44 (1408)	24.50 (622)	18.75 (476)	50.19 (1275)	15.44 (392)	*	*	9.56 (243)	4.00 (102)	*	*	*	*	-	-

* CONSULT FACTORY FOR MOTOR AND DIMENSIONS

Flange Dimensions – Suction Side

Dimensions - Inches (mm)

DN S #125	ØD	Ød	Øk	b	n	D2
12	19 (483)	15.00 (381)	17.00 (432)	1.25 (32)	12	1.00 (25)

Flange Dimensions – Discharge Side

Dimensions - Inches (mm)

DN D 125#	ØD	Ød	Øk	b	n	D2
10	16.00 (406)	12.75 (324)	14.25 (362)	1.81 (30.16)	12	1.00 (25)

