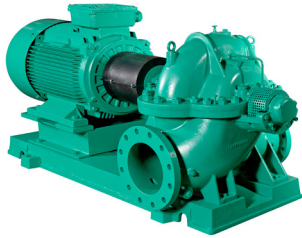


Submittal Data Sheet

Wilo SCP – Horizontal Split Case Pumps

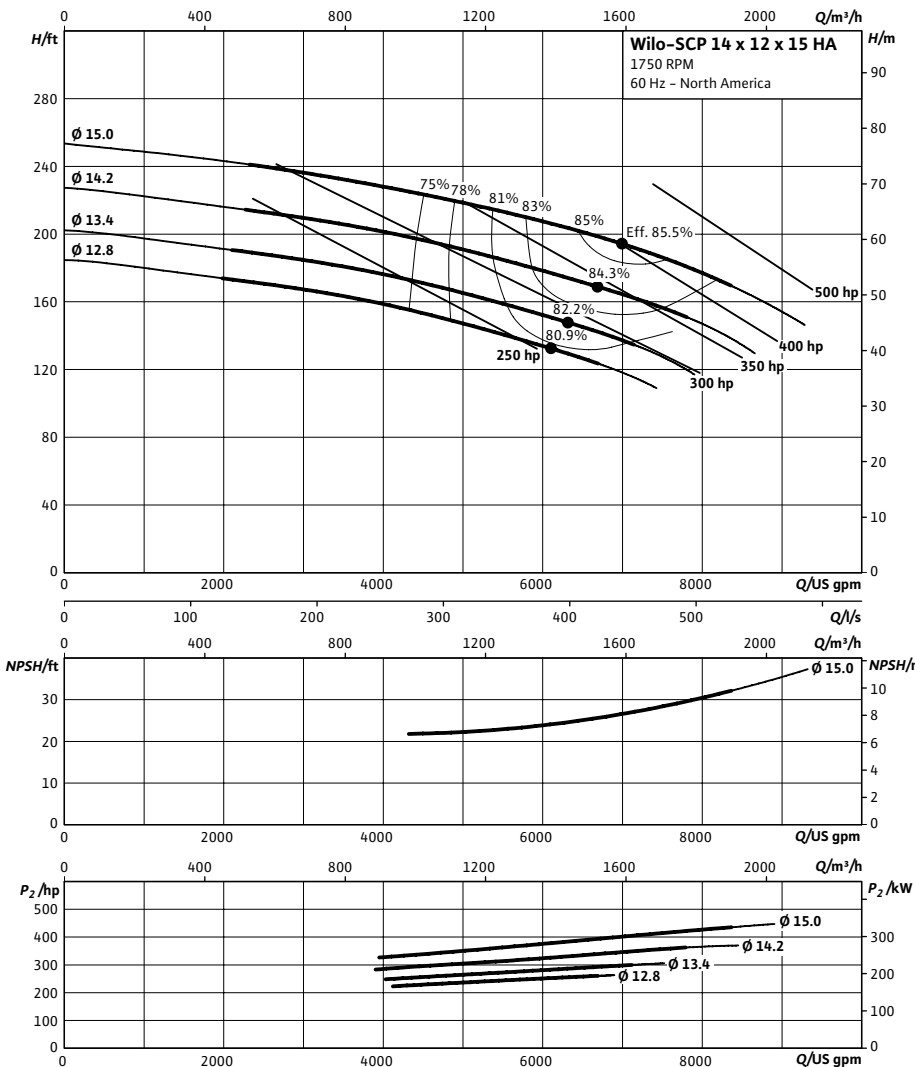


SCP 14 x 12 x 15 HA



Project:	
Engineer:	
Contractor:	
Submitted By:	Date:
Approved By:	Date:

Tag #	Model #	Flow (USGPM)	Head (Feet)	HP	Enclosure TEFC/ODP	Frame	Cycle	Phase	Voltage	RPM
	SCP 14 x 12 x 15 HA						60 Hz	3		



Technical Data

Approved Fluids	
Heating Water	
Cooling and cold water	
Water-Glycol mixtures (for 20–40% glycol and fluid temp ≤ 104°F [40°C])	
Fluid Temperature	
Mechanical Seal	18°F to 250°F (–8°C to 120°C)
Stuffing Box Packing	18°F to 220°F (–8°C to 105°C)

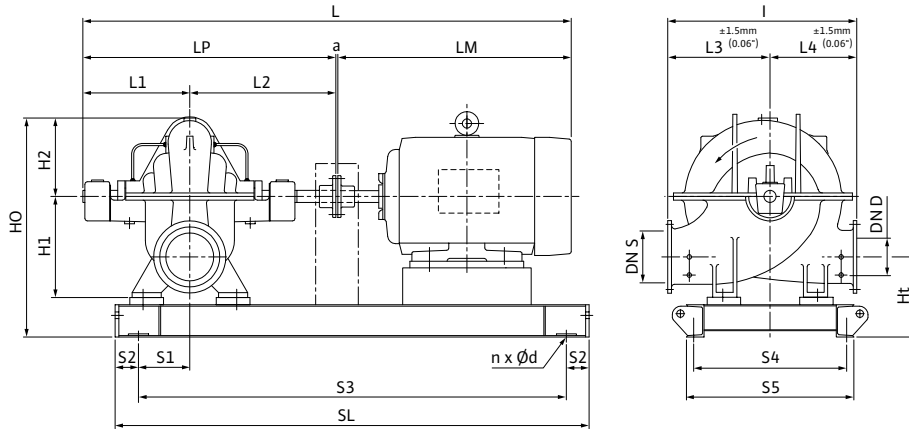
Materials of Construction

<input type="checkbox"/> Pump Housing	A48 Class 35
<input type="checkbox"/> Pump Housing (Optional)	Ni-resist BS 3468 Gr 2 / BS 2789 500.1
<input type="checkbox"/> Impeller	BS 84 C83 600
<input type="checkbox"/> Impeller (optional)	A48 Class 35 / BS 84 C83 600
<input type="checkbox"/> Stationary Wear Rings	BS 84 C93 700
<input type="checkbox"/> Pump Shaft	A276 type 410
<input type="checkbox"/> Pump Shaft (optional)	BS 970 316 S16
<input type="checkbox"/> Mechanical Seal	Carbon/silicon carbide/EPDM (E1)
<input type="checkbox"/> Other Mechanical Seals	Avail. on request
<input type="checkbox"/> Additional Spacer Coupling	Avail. on request
<input type="checkbox"/> Other:	

Approval Stamp

Dimensional Drawing

Single Stage Pump



SCP 14 x 12 x 15 HA

Dimensions – Inches (mm)

Frame	a	L	I	L1	L2	L3	L4	LM	LP	H1	H2	HO	Ht	n	Ød	S1	S2	S3	S4	S5	SL	P5	P6
445T/ 250 hp	.19 (5)	92.69 (2354)	37.38 (949)	20.69 (526)	24.13 (613)	22.00 (559)	15.38 (391)	47.75 (1213)	44.75 (1137)	21.50 (546)	14.75 (375)	42.13 (1070)	14.81 (376)	4	.91 (23)	8.19 (208)	4.00 (102)	65.50 (1664)	21.56 (548)	23.88 (607)	73.50 (1867)	-	-
445T/ 300 hp	.19 (5)	98.38 (2499)	37.38 (949)	20.69 (526)	24.13 (613)	22.00 (559)	15.38 (391)	53.38 (1356)	44.75 (1137)	21.50 (546)	14.75 (375)	42.13 (1070)	14.81 (376)	4	.91 (23)	8.19 (208)	4.00 (102)	65.50 (1664)	21.56 (548)	23.88 (607)	73.50 (1867)	-	-
449T/ 350 hp	.19 (5)	98.38 (2499)	37.38 (949)	20.69 (526)	24.13 (613)	22.00 (559)	15.38 (391)	53.38 (1356)	44.75 (1137)	21.50 (546)	14.75 (375)	42.13 (1070)	14.81 (376)	4	.91 (23)	8.19 (208)	4.00 (102)	73.75 (1873)	21.56 (548)	23.38 (594)	81.75 (2076)	-	-
449T/ 400 hp	.19 (5)	98.38 (2499)	37.38 (949)	20.69 (526)	24.13 (613)	22.00 (559)	15.38 (391)	53.38 (1356)	44.75 (1137)	21.50 (546)	14.75 (375)	42.13 (1070)	14.81 (376)	4	.91 (23)	8.19 (208)	4.00 (102)	73.75 (1873)	21.56 (548)	23.38 (594)	81.75 (2076)	-	-

Flange Dimensions – Suction Side

Dimensions – Inches (mm)

DN S #125	ØD	Ød	Øk	b	n	D2
14	21.00 (533)	16.25 (413)	18.75 (476)	1.38 (35)	12	1.13 (29)

Flange Dimensions – Discharge Side

Dimensions – Inches (mm)

DN D 125#	ØD	Ød	Øk	b	n	D2
12	19 (483)	15.00 (381)	17.00 (432)	1.25 (32)	12	1.00 (25)

