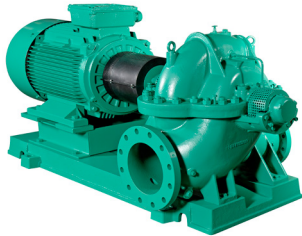


Submittal Data Sheet

Wilo SCP – Horizontal Split Case Pumps

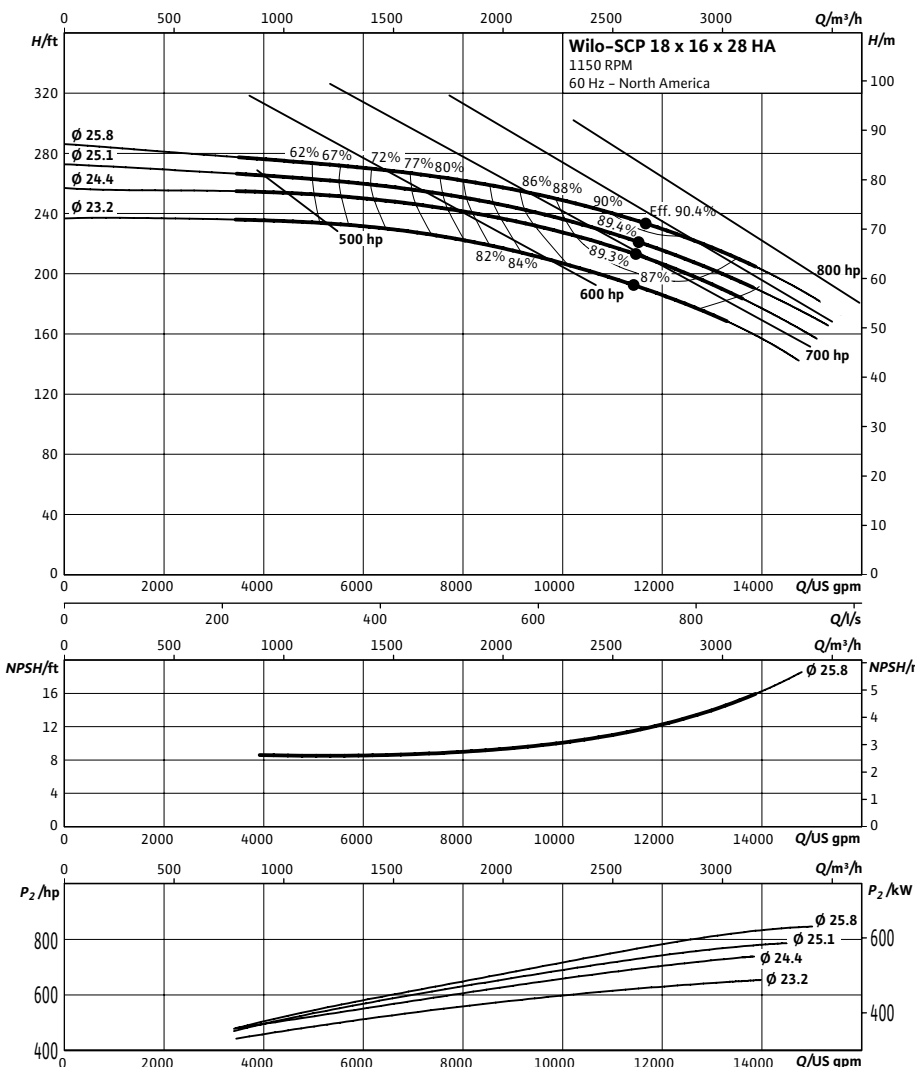


SCP 18 x 16 x 28 HA



Project:	
Engineer:	
Contractor:	
Submitted By:	Date:
Approved By:	Date:

Tag #	Model #	Flow (USGPM)	Head (Feet)	HP	Enclosure TEFC/ODP	Frame	Cycle	Phase	Voltage	RPM
	SCP 18 x 16 x 28 HA						60 Hz	3		



Technical Data

Approved Fluids	
Heating Water	
Cooling and cold water	
Water-Glycol mixtures (for 20-40% glycol and fluid temp $\leq 104^{\circ}\text{F}$ [40°C])	
Fluid Temperature	
Mechanical Seal	18°F to 250°F (-8°C to 120°C)
Stuffing Box Packing	18°F to 220°F (-8°C to 105°C)

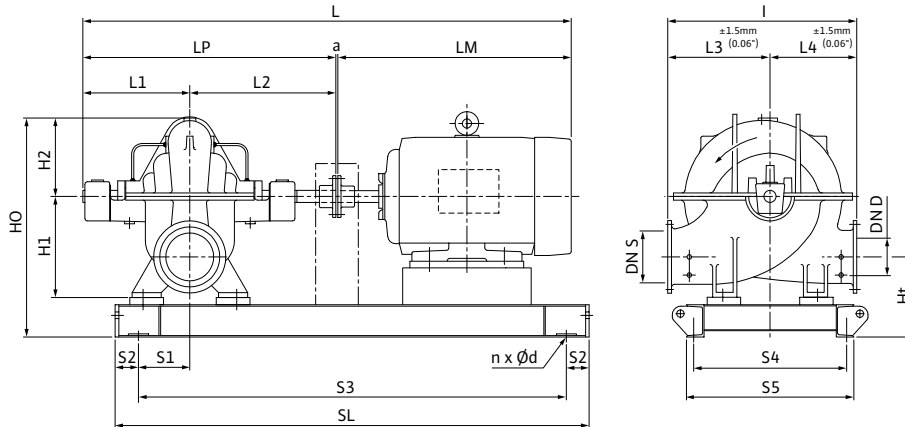
Materials of Construction

<input type="checkbox"/> Pump Housing	A48 Class 35
<input type="checkbox"/> Pump Housing (Optional)	Ni-resist BS 3468 Gr 2 / BS 2789 500.1
<input type="checkbox"/> Impeller	BS 84 C83 600
<input type="checkbox"/> Impeller (optional)	A48 Class 35 / BS 84 C83 600
<input type="checkbox"/> Stationary Wear Rings	BS 84 C93 700
<input type="checkbox"/> Pump Shaft	A276 type 410
<input type="checkbox"/> Pump Shaft (optional)	BS 970 316 S16
<input type="checkbox"/> Mechanical Seal	Carbon/silicon carbide/EPDM (E1)
<input type="checkbox"/> Other Mechanical Seals	Avail. on request
<input type="checkbox"/> Additional Spacer Coupling	Avail. on request
<input type="checkbox"/> Other:	

Approval Stamp

Dimensional Drawing

Single Stage Pump



SCP 18 x 16 x 28 HA

Dimensions - Inches (mm)																							
Frame	a	L	I	L1	L2	L3	L4	LM	LP	H1	H2	HO	Ht	n	Ød	S1	S2	S3	S4	S5	SL	P5	P6
*	.19 (5)	*	64.00 (1626)	27.75 (705)	32.44 (824)	34.00 (864)	30.00 (762)	*	60.19 (1529)	31.50 (800)	22.81 (579)	61.50 (1562)	18.19 (462)	*	*	13.94 (354)	4.00 (102)	*	*	*	*	-	-

* CONSULT FACTORY FOR MOTOR AND DIMENSIONS

Flange Dimensions – Suction Side

Dimensions - Inches (mm)						
DN S #125	ØD	Ød	Øk	b	n	D2
18	25.00 (635)	21.00 (533)	23.75 (578)	1.56 (40)	16	1.25 (32)

Flange Dimensions – Discharge Side

Dimensions - Inches (mm)						
DN D 125#	ØD	Ød	Øk	b	n	D2
16	23.50 (597)	18.50 (470)	21.25 (540)	1.44 (37)	16	1.13 (29)

