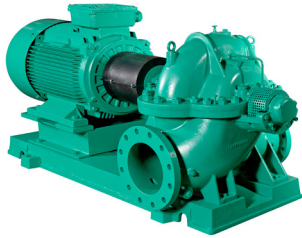
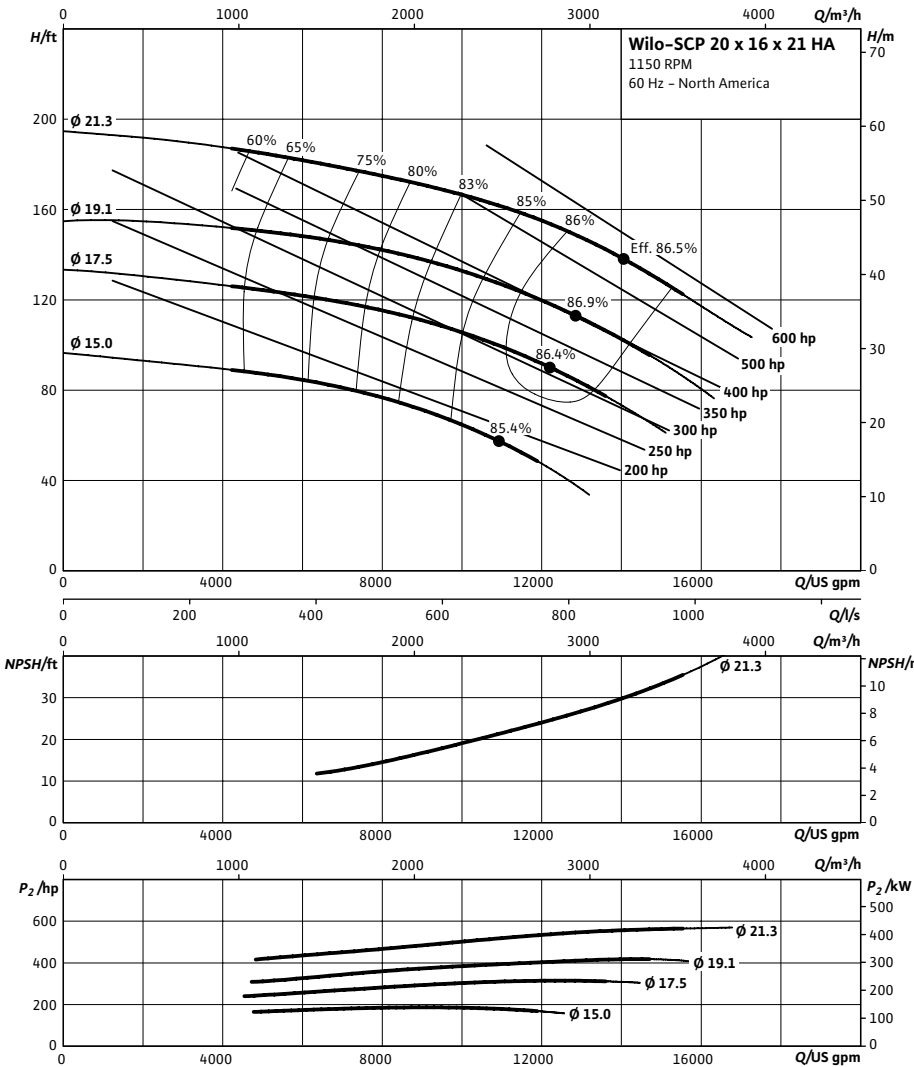


### SCP 20 x 16 x 21 HA



Project:	
Engineer:	
Contractor:	
Submitted By:	Date:
Approved By:	Date:

Tag #	Model #	Flow (USGPM)	Head (Feet)	HP	Enclosure TEFC/ODP	Frame	Cycle	Phase	Voltage	RPM
	SCP 20 x 16 x 21 HA						60 Hz	3		



#### Technical Data

**Approved Fluids**  
Heating Water  
Cooling and cold water  
Water-Glycol mixtures (for 20-40% glycol and fluid temp ≤ 104°F [40°C])

**Fluid Temperature**  
Mechanical Seal: 18°F to 250°F (-8°C to 120°C)  
Stuffing Box Packing: 18°F to 220°F (-8°C to 105°C)

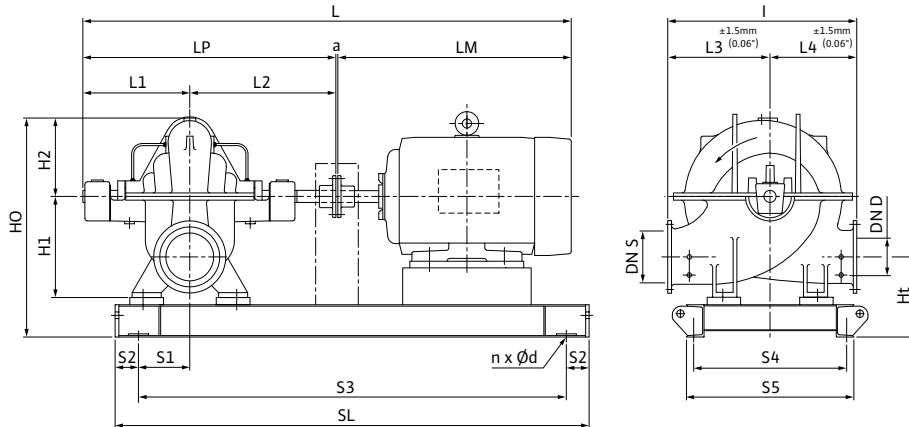
#### Materials of Construction

<input type="checkbox"/> Pump Housing	A48 Class 35
<input type="checkbox"/> Pump Housing (Optional)	Ni-resist BS 3468 Gr 2 / BS 2789 500.1
<input type="checkbox"/> Impeller	BS 84 C83 600
<input type="checkbox"/> Impeller (optional)	A48 Class 35 / BS 84 C83 600
<input type="checkbox"/> Stationary Wear Rings	BS 84 C93 700
<input type="checkbox"/> Pump Shaft	A276 type 410
<input type="checkbox"/> Pump Shaft (optional)	BS 970 316 S16
<input type="checkbox"/> Mechanical Seal	Carbon/silicon carbide/EPDM (E1)
<input type="checkbox"/> Other Mechanical Seals	Avail. on request
<input type="checkbox"/> Additional Spacer Coupling	Avail. on request
<input type="checkbox"/> Other:	

Approval Stamp

### Dimensional Drawing

### Single Stage Pump



### SCP 20 x 16 x 21 HA

#### Dimensions - Inches (mm)

Frame	a	L	I	L1	L2	L3	L4	LM	LP	H1	H2	HO	Ht	n	Ød	S1	S2	S3	S4	S5	SL	P5	P6
445T	.50 (13)	96.75 (2457)	42.00 (1067)	25.75 (654)	30.88 (784)	25.00 (635)	17.00 (432)	39.63 (1007)	56.63 (1438)	17.19 (437)	19.31 (490)	57.38 (1457)	21.25 (540)	4	.91 (23)	11.44 (291)	9.81 (249)	70.00 (1778)	35.81 (910)	38.50 (978)	89.69 (2278)	-	-

Additional Motors Available – CONSULT FACTORY

### Flange Dimensions - Suction Side

#### Dimensions - Inches (mm)

DN S #125	ØD	Ød	Øk	b	n	D2
20	27.50 (699)	23.00 (584)	25.00 (635)	1.69 (43)	20	1.25 (32)

### Flange Dimensions - Discharge Side

#### Dimensions - Inches (mm)

DND 125#	ØD	Ød	Øk	b	n	D2
16	23.50 (597)	18.50 (470)	21.25 (540)	1.44 (37)	16	1.13 (29)

