

Pioneering for You

wilo

Product Catalogue

Stainless Steel Borehole Pump

60Hz



**“Perfectly
coordinating
performance
and efficiency,**

**that’s what I call
Pioneering for You.”**

Dr. Franka Schneider, Research Engineer Fluid Mechanics
WILO SE



Improving efficiency is a key focus of our development work. Our target is to increase pump performance while simultaneously decreasing the energy input. Thus a pump system, e.g. for a replacement, can be dimensioned significantly smaller and be still more efficient.

www.wilo.com



PSS Series

Stainless Steel Borehole Pump

at a glance :

Contents		
General Information		From page 04
Performance range		04
Applications		05
Model designation		06
Structures		06
Features		07
Installation		08
Submersible motor technical information		09
Technical Data / Performance Curve		From page 16
4 inches	PSS-1	16
	PSS-2	18
	PSS-3	20
	PSS-5	22
	PSS-8	24
	PSS-14	26
6 inches	PSS-17	28
	PSS-30	32
	PSS-46	36
	PSS-60	40
8 inches	PSS-77	43
	PSS-95	46
10 inches	PSS-125	49
	PSS-160	52
	PSS-215	55
Sectional Drawing		From page 58

General Information

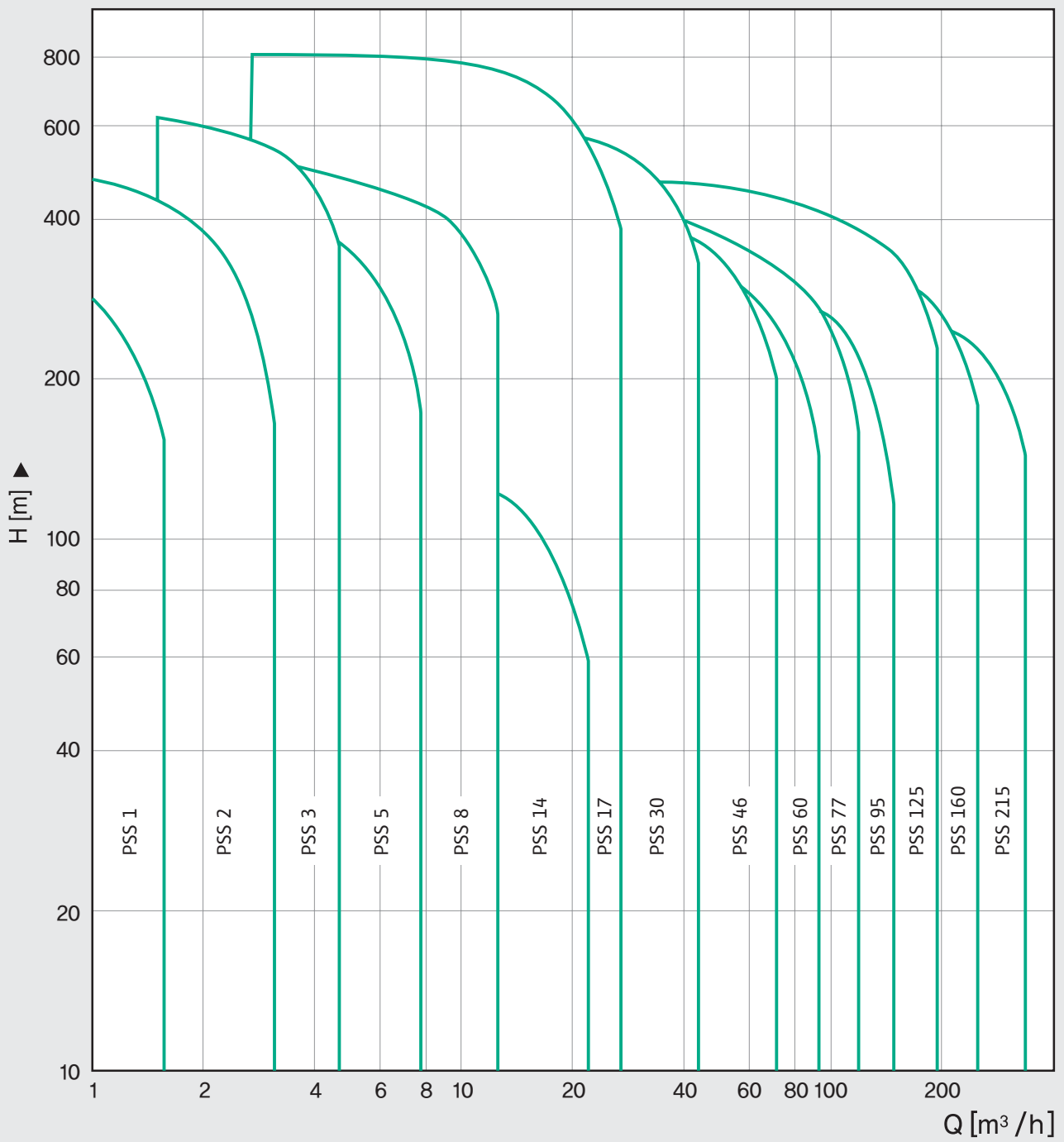
PSS Series

PSS Series

Performance range

Performance range

60Hz



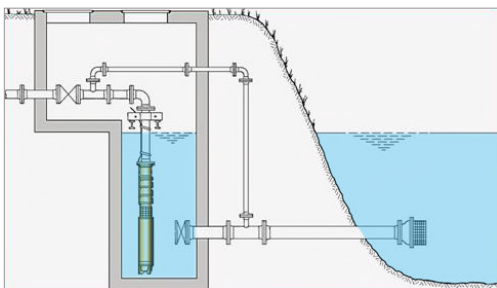
Applications

Fountains, Sprinkler, Artificial waterfall, gardening

- 4 motor (~ 10 HP) + 6 pump
- Installation for both ways (Vertical and Horizontal)
- All STS material



Horizontal



Vertical



Fountain



Artificial Waterfall



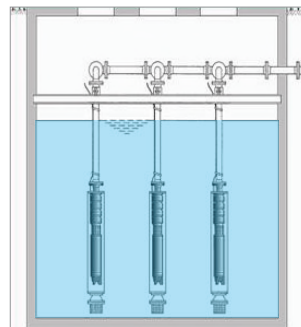
Sprinkler



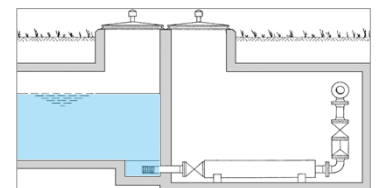
Artificial Gardening

Booster system

- Advantage
 - Easy operation / maintenance
 - Low noise level
 - Safe against changes in humidity / Temp.



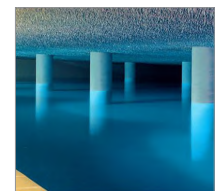
Vertical Wet-Pit



Horizontal Dry-Pit

Sub-surface water

- Fully submersible multi stage pump
- Corrosion-Free material of construction
- Hot spring



General Information

PSS Series

Model designation

Model designation

Indication of Pump model

(Eg) $\frac{\text{PSS}}{(1)} - \frac{46}{(2)} - \frac{2}{(3)} - \frac{\text{AB}}{(4)}$

- (1) Model Series : PSS → Pump Submersible Stainless steel
- (2) Rated Capacity : m³/h
- (3) No. of Impeller stage
- (4) Impeller type as per diameter : A, B, C

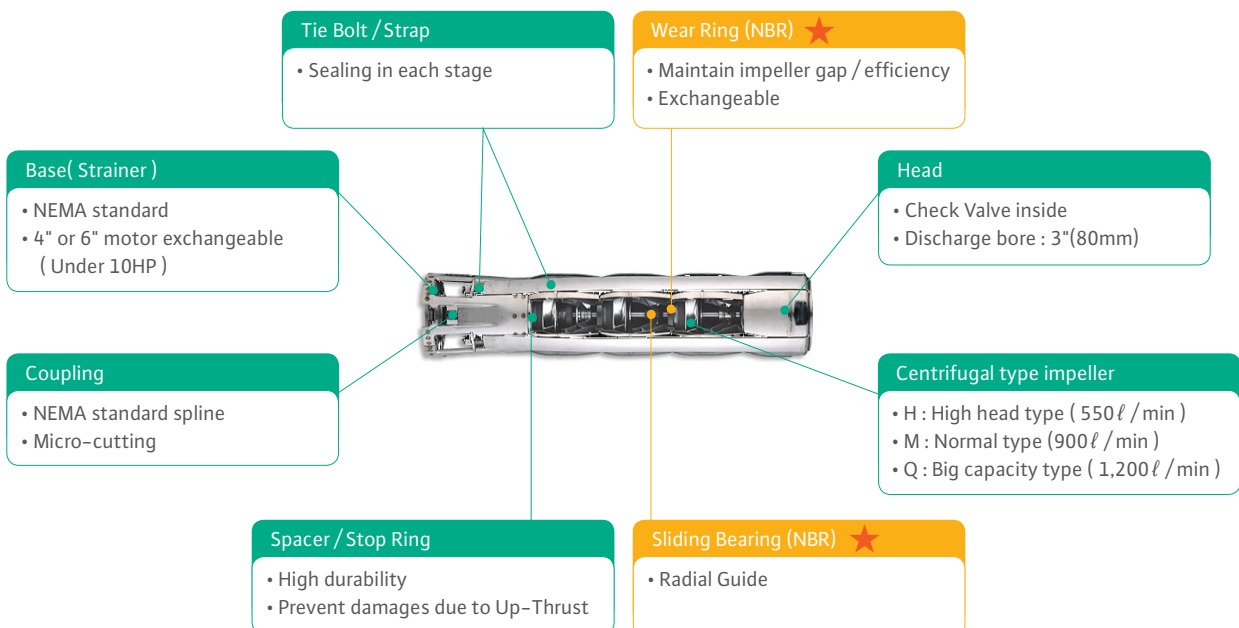
Indication of Pump model

(Eg) $\frac{\text{MS}}{(1)} \frac{4}{(2)} - \frac{50}{(3)} \frac{3}{(4)} \frac{3}{(5)}$

- (1) Motor Series : MS → 4 inch Motor, MH → 6~12 inch Motor
- (2) Size of motor : eg) “4” → 4 inches
- (3) Motor Rating : In unit of Horse Power (HP) x 10 eg) 100 → 10HP , 75 → 7.5HP
- (4) Phase : eg) Single → “1”, 3 phase → “3”
- (5) Voltage : eg) 220V → “2”, 380V → “3”, 440V → “4”

Structures

All STS material for Hydraulics (Except for) ★



PSS Series Features

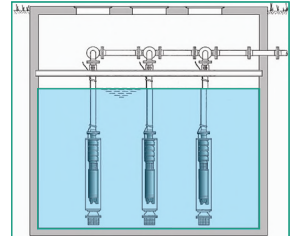
Features

Installation

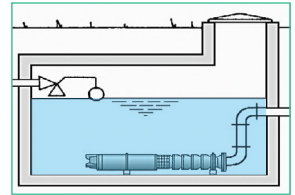
- Both Vertical & Horizontal execution
 - Compact design (Reduced length)
 - Sliding Bearing in each stage for radial guide
 - Designed to minimize radial thrust in each end of shaft. (Also by bearings)

- No more venting of pump in horizontal Inst.
- Solve the problem due to site condition
- Benefits in fountain, artificial waterfall

Vertical installation |

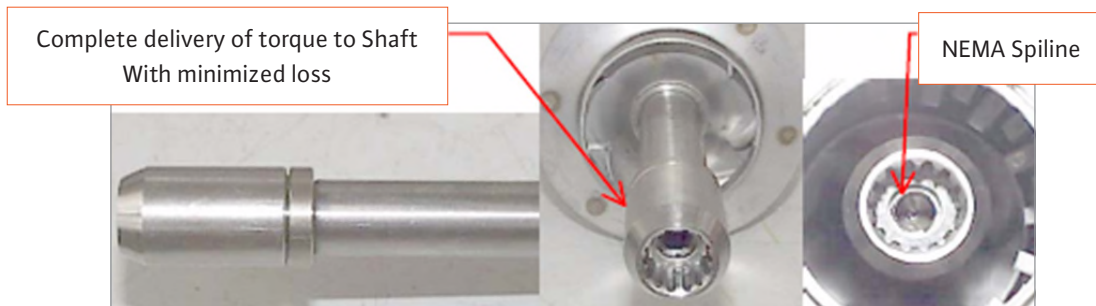


Horizontal installation |

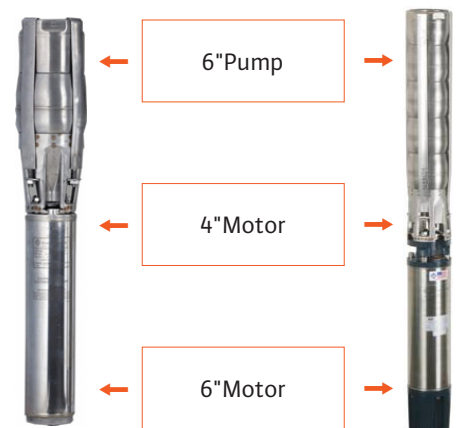


Durability

- Coupling
 - With its excellent durability based on NEMA standard.



- 4" Motor + 6" Pump
 - 4" motors now available for 7.5HP & under (Saves 30% material cost)
 - Can provide more solutions in application such as fountains / artificial waterfall



General Information

PSS Series

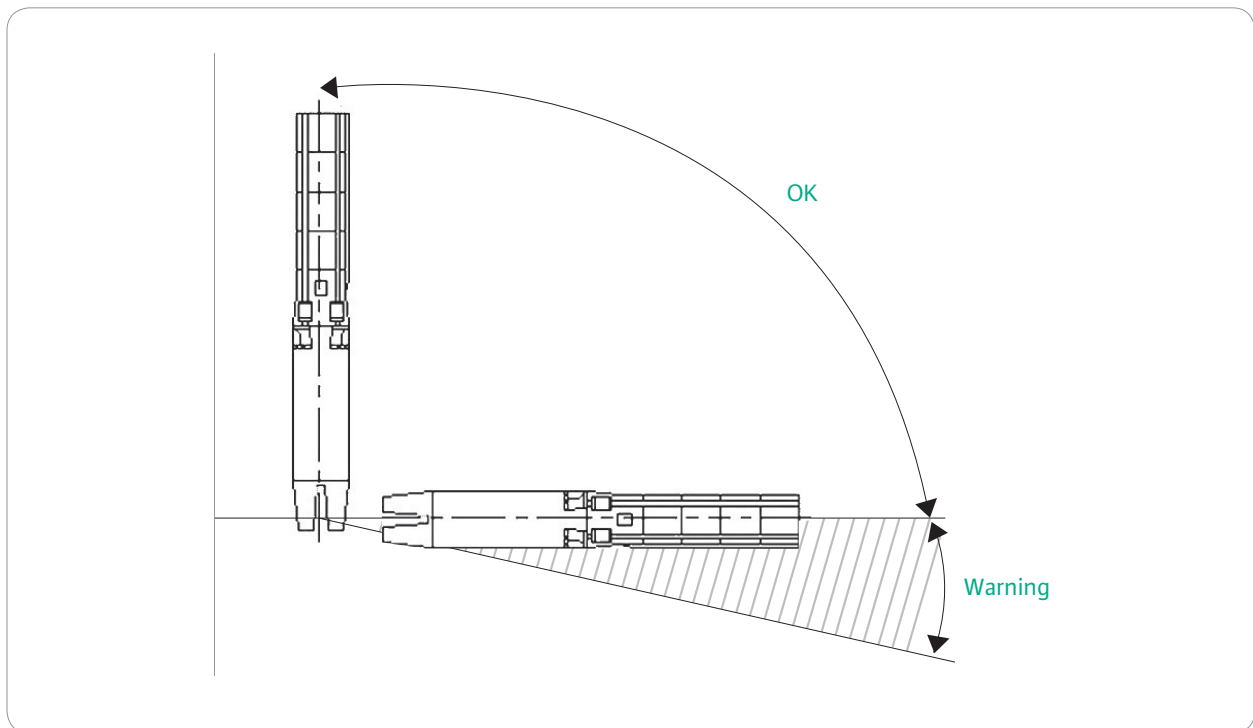
PSS Series

Installation

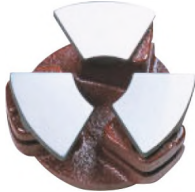
Horizontal Installation

Precautions in horizontal installation

Please make sure that the pump is properly installed horizontally when site is slightly declined like diagram below. In case of frequent starting like 10 times / day, please incline the pump by 15degrees at least. This will minimize the wear of Up-Thrust Disk.



General Features



High Quality Thrust Bearings

- The thrust bearing is of the Kingsbury type lubricated by the internal fluid. During operation a wedge of water is drawn between the stainless steel pivot shoes and carbon disc to carry the thrust load generated by the pump. Located inside and at the bottom of the motor the bearing is sealed away from sand and other contaminants.



Sand Resistant Slinger and Lip Seals

- A stainless steel slinger and slinger guide are also closely fit to help prevent sand entry. Double rubber seals are installed to prevent well water and contaminants from entering the motor.



Rotor Core with Baked Epoxy Coating

- A baked epoxy coating prevents rusting of the rotor core. All external and internal cast iron parts are coated with epoxy resin then baked for resistance to water and rust.

Highly Reliable Carbon Bearing

- Two water lubricated carbon bearings are used as guide bearings. These have extremely large surface area and result in extra alignment support—less whipping and acts as a steady bushing.

Balancing

- The rotor balance rings allow for excellent dynamic balance for the rotating element of the motor.

Water-Filled Design

- The motor lubrication is provided by the internal cooling water consisting of a water, antifreeze, and antirust mixture good to -30°C (-22°F). This mixture is installed at the factory. Two water plugs are located near the top of the motor and are used by the installer to check the water level or to top off if needed before installation.

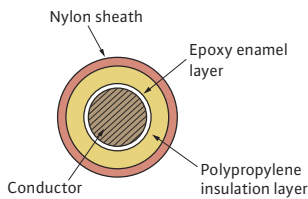
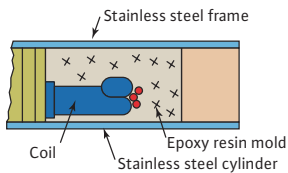
Complete Corrosion and Water-Tight Protection

- All main motor components are made of stainless steel: including the can housing (water tight type motors have baked epoxy coated steel housings), shaft and bolts. All other motor parts are coated with the baked epoxy coating.

High-Quality Control

- All Wilo submersible motors are manufactured and tested under the most stringent quality control procedures in Japan, providing long service life and trouble-free operation.

Special Technology



6" Canned Type

- **Replaceable Plug-in Type Lead**
All 6" motor leads are stranded copper, extremely flexible, 3.8m(150 inches) in length and field replaceable.
- **Durable Insulation**
The motor stator coil of the canned type is mounted in a stainless steel frame and is completely sealed in a protective stainless steel cylinder. Complete water proofing insures long life for the moisture resistant insulation.
- **Excellent Heat Resistance**
Strength against thermal fluctuation and internal mechanical stress is assured by the use of a patented "Hi-canned Resin". The space between the stator, stainless steel protective can and frame is filled with this epoxy resin, allowing faster and greater heat dissipation resulting in longer motor life.
- **35°C(95F) Water Temperature(5-40HP)**
The motors operate with a flow rate 0.15m/sec. (0.5ft/sec.) in water temperature up to 35°C(95°F) without any derating of horsepower. This 35°C(95°F) temperature is 10°C(18°F) higher than NEMA standards.
- **Dual Voltage Construction (3Ø 5-30HP)**
Both construction as single voltage and dual voltage are available.

8" and Larger Rewindable Water-Tight Type

- **Reliable Insulation Wire**
The coil conductor insulation material is a specially developed denatured polypropylene, which offers excellent leak-resistant characteristics. Three barriers are applied to the copper conductors to provide complete insulation against the cooling fluid inside the motor. This design is the result of extensive research and in long insulation life under severe operating conditions.
- **Quality construction**
The lead wires are 5m(200 inches) long and internally connected direct to the winding. The stator is enclosed by an epoxy coated carbon steel shell, and the end bells are epoxy coated cast iron. The cooling fluid in the motor is in direct contact with the insulated windings to help keep the motor cool.
- **2P motors and 4P motors**
The Wilo submersible motor is available up to 300HP in both 2 pole and 4 pole speeds. The Wilo motor mounts to most major pump manufactures submersible pumps without adaption.

High trust bearing

High-performance thrust bearing

The well established KINGSBURY design thrust bearing creates a wedge of water between the pivot shoe and carbon disc.

Our innovative design permits high thrust loads to be placed on the bearings while showing no measurable wear after several years of severe duty operation.

This allows for long pumping life, virtual trouble free operation and low maintenance. For all 6" motors, the 136kg. maximum continuous up-thrust is absorbed between the upper carbon sleeve bearing and the rotor balance ring.

For all 8"~14" motors, the 450kg. maximum continuous up-thrust is carried between the upper slide plate and separate up-thrust carbon bearing.

Motor Size	2P				4P			
	Down Thrust		Up Thrust		Down Thrust		Up Thrust	
	[kg]	[lbs.]	[kg]	[lbs.]	[kg]	[lbs.]	[kg]	[lbs.]
6" 5-30HP	1,590	3,500	136 *(200)	300 *(450)	-	-	-	-
6" 40-60HP	2,270	5,000	136 *(200)	300 *(450)	-	-	-	-
8"	4,540 **(2,270)	10,000 **(5,000)	450 **(680)	1,000 **(1,500)	4,540 **(2,270)	10,000 **(5,000)	450 **(680)	1,000 **(1,500)
10"	4,540	10,000	450	1,000	4,540	10,000	450	1,000
12"	4,540	10,000	450	1,000	4,540	10,000	450	1,000
14"	-	-	-	-	4,540	10,000	450	1,000

Note:

1. Thrust ratings showed are continuous except for values marked*
2. *Momentary rating (3 minutes Max).

3. **8" Motor-6" Flange when using stainless steel bolts, has a thrust values of 2,270kg.
A thrust value of 4,540kg, can be obtained using grade 8 heat treated stainless steel bolts.

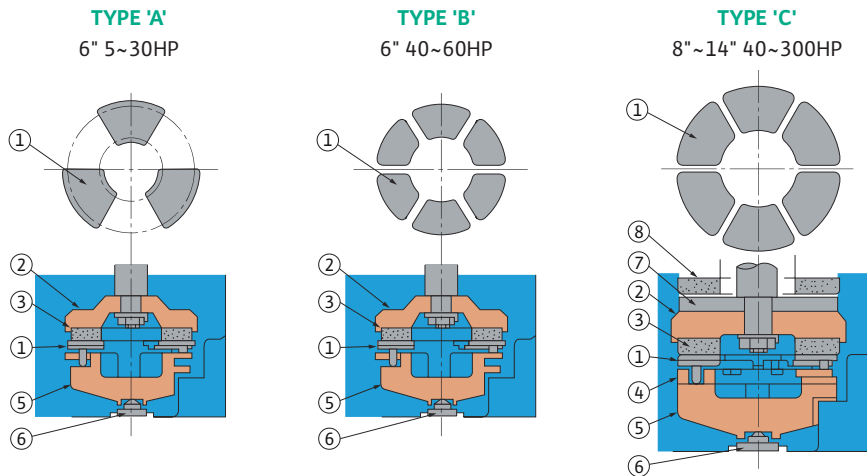
General Information

PSS Series

PSS Series

Submersible motor

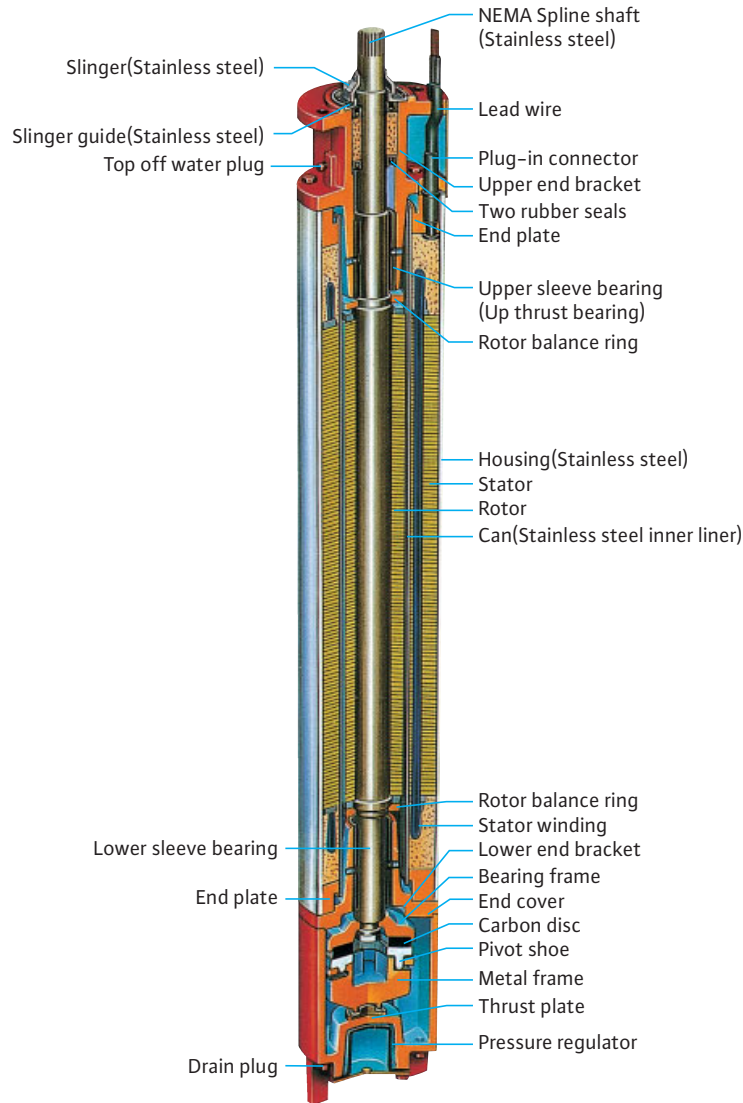
High trust bearing



Number	Part Name
1	Pivot Shoe
2	Bearing Frame
3	Carbon Disc
4	Metal Support
5	Metal Frame
6	Thrust Plate
7	Slide Plate
8	Up Thrust Bearing

Application						
Motor Size	Output				Bearing Type	No. of Shoes
	2P		4P			
	HP	kW	HP	kW		
6"	5~30	3.7~22	-	-	A	3
	40~60	30~90	-	-	B	6
8"~10"	40~150	30~110	7.5~125	5.5~90	C	6
10"~14"	175~300	132~225	150~300	110~225	C	8

Materials of construction (6" Submersible motors)



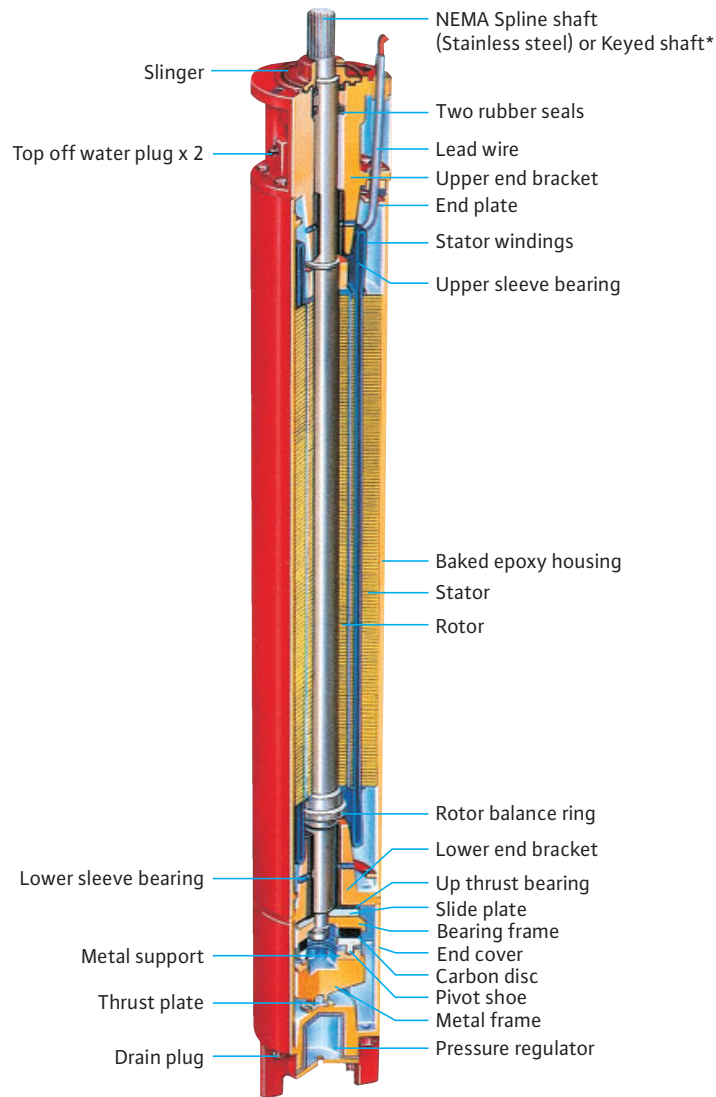
Parts	Materials
Motor Sleeve	Stainless steel construction
Castings	Baked epoxy-coated gray iron
Fasteners	Stainless steel
Shaft	NEMA splined stainless steel
Flange	NEMA standard type
Rotor	Double epoxy-coated
Thrust Bearings	Kingsbury-type 420 stainless steel
Mechanical Seal	Nitrile rubber (NBR), grease packed
Diaphragm	Nitrile rubber
Sand Cap	Polyurethane
Sand Slinger	Stainless steel
Lead Wire (or Cable)	Double-insulated, heat and water-resistant, 167°F/75°C, 600V

General Information

PSS Series

Submersible motor

Materials of construction (8" Submersible motors)



Parts	Materials
Housing	Baked epoxy-coated gray iron
Fasteners	Stainless steel
Shaft	Splined or keyed stainless steel
Rotor	Double epoxy-coated
Thrust Bearings	Kingsbury-type 420 stainless steel
Mechanical Seal	Nitrile rubber (NBR), grease packed
Diaphragm	Nitrile rubber
Sand Slinger	Baked epoxy-coated gray iron
Lead Wire (or Cable)	Double-insulated, heat and water-resistant, 167°F/75°C, 600V

Wilo Submersible motor 4"

1 × 220V, 60Hz						
Model	Power		Max. Current [A]	Coil resistance [Ω]	Dimension [mm]	Weight [kg]
	[kW]	[HP]				
MS4-0512	0.37	0.5	6.4	4.9	250	6.8
MS4-0712	0.55	0.75	9.3	3.7	265	8.1
MS4-1012	0.75	1	12	2.45	295	10.6
MS4-1512	1.1	1.5	13	2.1	340	11.2
MS4-2012	1.5	2	15	1.72	375	14
MS4-3012	2.2	3	16.9	1.49	430	16.4
MS4-5012	3.7	5	27.8	0.79	675	29.3

3 × 380V, 60Hz						
Model	Power		Max. Current [A]	Coil resistance [Ω]	Dimension [mm]	Weight [kg]
	[kW]	[HP]				
MS4-0533	0.37	0.5	1.8	39.2	235	5.8
MS4-0733	0.55	0.75	2.5	27.6	250	7
MS4-1033	0.75	1	3.1	21.8	265	8.3
MS4-1533	1.1	1.5	3.8	15	295	10.9
MS4-2033	1.5	2	4.85	13.7	340	11.4
MS4-3033	2.2	3	6.85	7.1	375	14.2
MS4-4033	3	4	8.5	5.6	480	18.3
MS4-5533	4	5.5	11.2	3.9	555	23.4
MS4-7533	5.5	7.5	15.6	2.8	675	29.4

Wilo Submersible motor 6"~12"

3 × 380V, 60Hz						
Model	Power		Max. Current [A]	Coil resistance [Ω]	Dimension [mm]	Weight [kg]
	[kW]	[HP]				
MH6-7533	5.5	7.5	14.3	1.892	630	45
MH6-10033	7.5	10	18.4	1.176	685	50
MH6-15033	11	15	26.9	0.849	760	58
MH6-20033	15	20	34.8	0.618	800	62
MH6-25033	18.5	25	47.5	0.42	920	73
MH6-30033	22	30	52.5	0.399	970	80
MH6-40033	30	40	75.8	0.255	1060	90
MH6-50033	37	50	96.7	0.213	1060	90
MH8-50033	37	50	88.2	0.256	1180	160
MH8-60033	45	60	113.2	0.166	1250	185
MH8-75033	55	75	130.1	0.145	1350	210
MH8-100033	75	100	182.1	0.113	1480	235
MH8-125033	93	125	222.1	0.107	1480	235
MH8-150033	110	150	257.5	0.107	1680	270

* Please inquire to Wilo Pumps Ltd when you need more than 8" motor

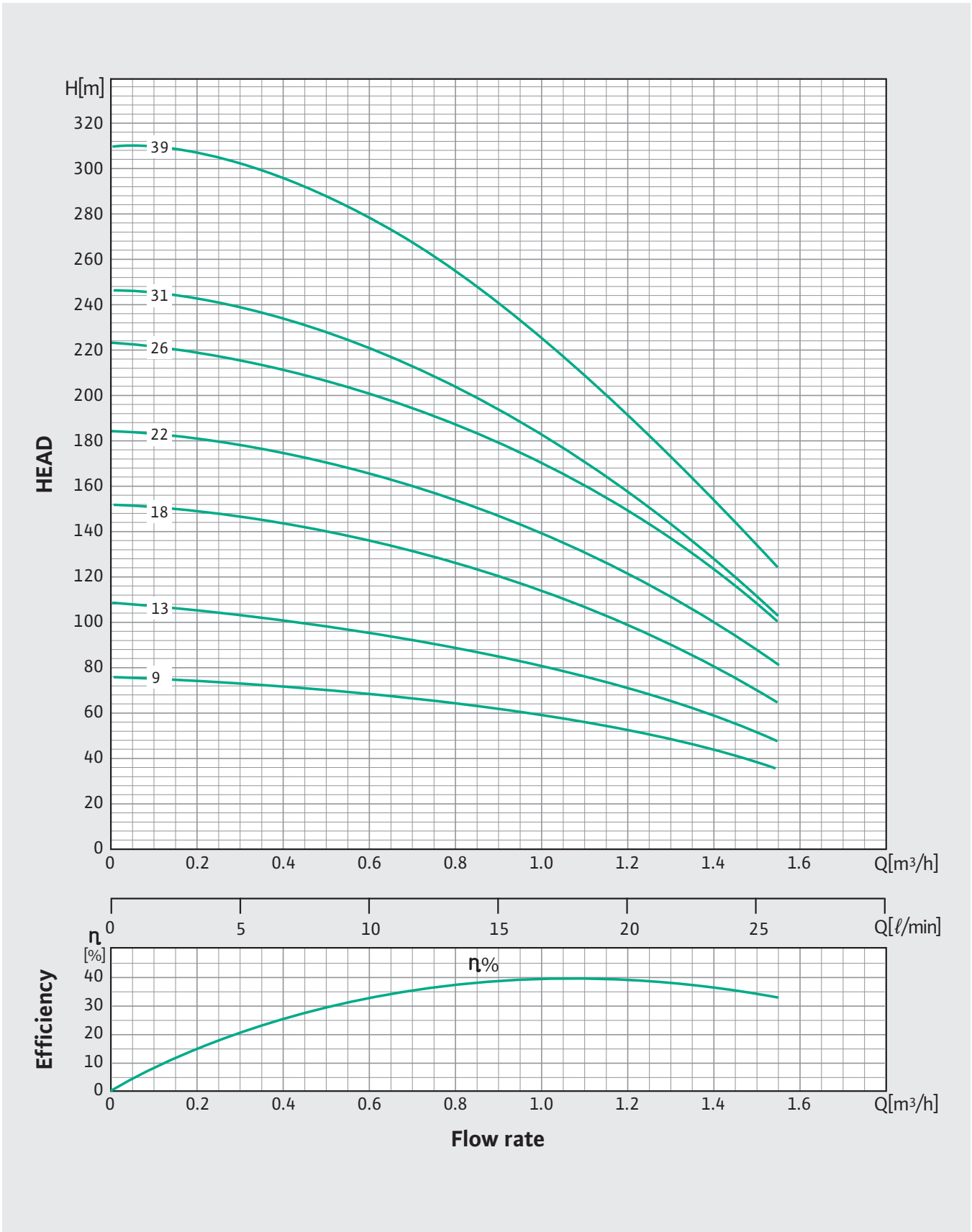
General Information

PSS Series

PSS-1 Series

Performance Curve

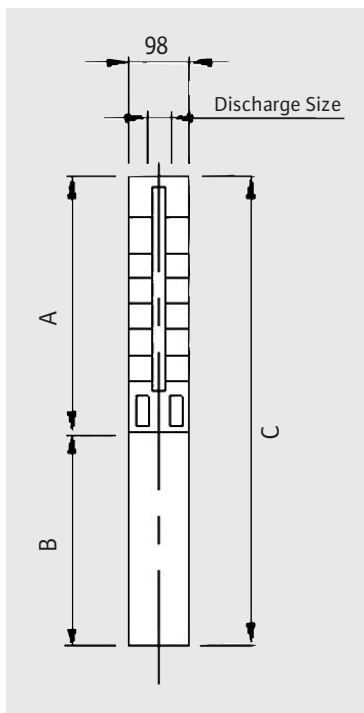
60Hz



PSS-1 Series

Technical data

Dimension and Weight									60Hz
Model	Motor	Power		Power source		Dimension[mm]			Weight [kg]
	Wilo	[kW]	[HP]	Phase	Voltage	A	B	C	
PSS-1-9	MS4-0512	0.37	0.5	1	220	356	250	606	9.7
	MS4-0533			3	380	356	235	591	8.7
PSS-1-13	MS4-0512	0.37	0.5	1	220	440	250	690	10.4
	MS4-0533			3	380	440	235	675	9.4
PSS-1-18	MS4-0712	0.55	0.75	1	220	545	265	810	12.5
	MS4-0733			3	380	545	250	795	11.4
PSS-1-22	MS4-1012	0.75	1	1	220	629	295	924	15.7
	MS4-1033			3	380	629	295	924	13.4
PSS-1-26	MS4-1512	1.1	1.5	1	220	713	340	1053	17.0
	MS4-1533			3	380	713	295	1008	16.7
PSS-1-31	MS4-1512	1.1	1.5	1	220	841	340	1181	20.0
	MS4-1533			3	380	841	295	1136	19.7
PSS-1-39	MS4-2012	1.5	2	1	220	1009	375	1384	25.1
	MS4-2033			3	380	1009	340	1349	22.5



※ The minimum dia of well is 106mm

※ 98mm is the maximum dia of pump including Cable guard and motor.

※ Discharge bore size : 1 ¼"(32mm)

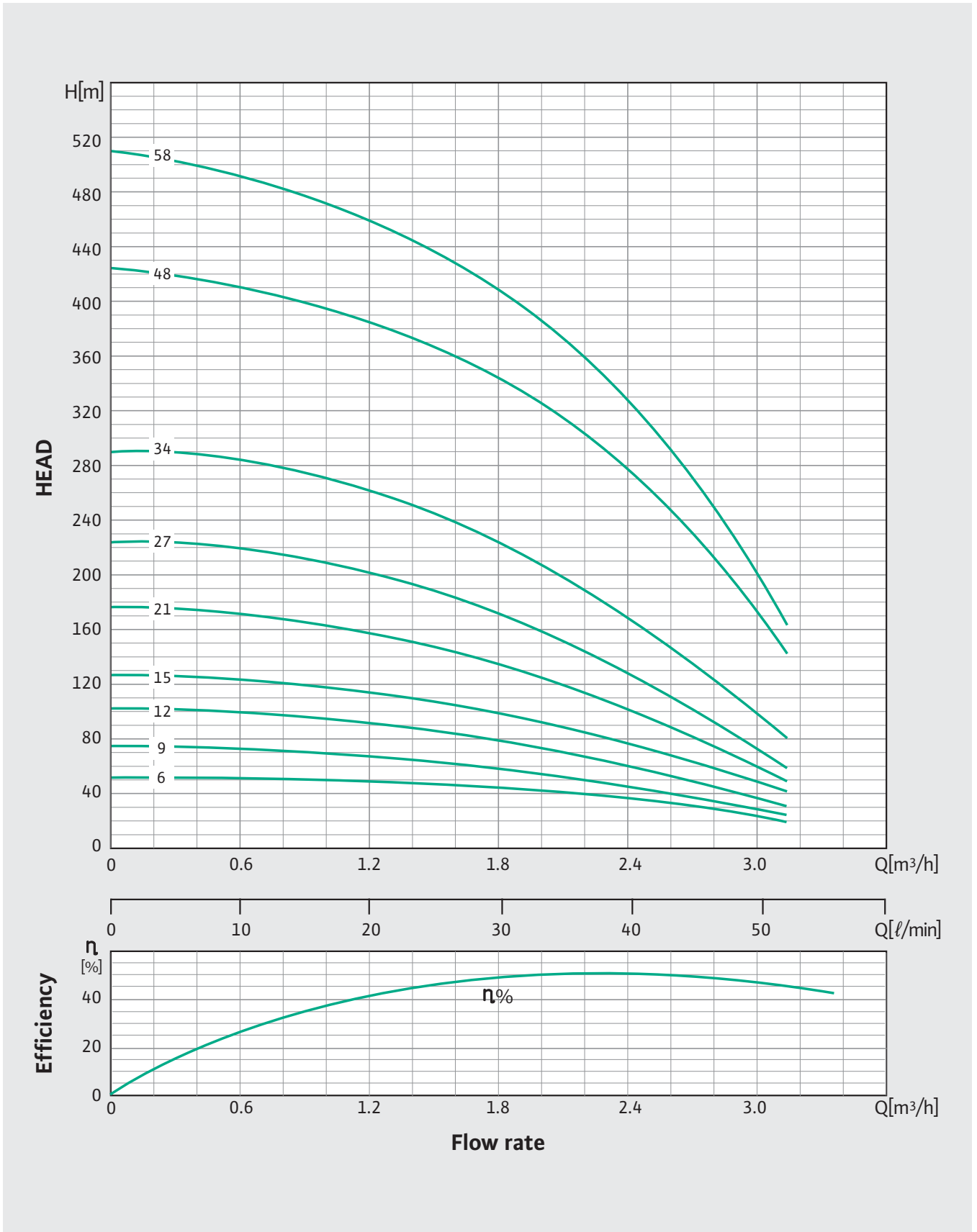
General Information

PSS Series

PSS-2 Series

Performance Curve

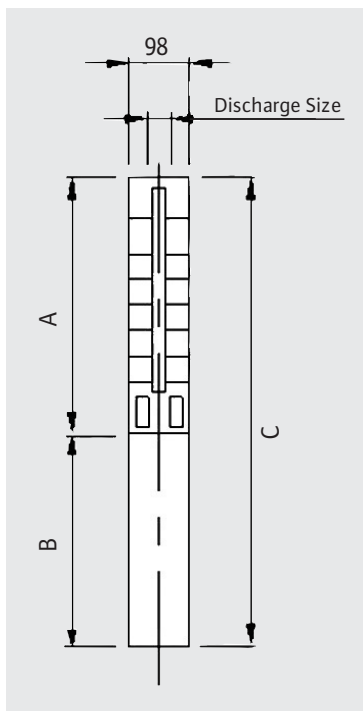
60Hz



PSS-2 Series

Technical data

Dimension and Weight									60Hz
Model	Motor	Power		Power source		Dimension[mm]			Weight [kg]
	Wilo	[kW]	[HP]	Phase	Voltage	A	B	C	
PSS-2-6	MS4-0512	0.37	0.5	1	220	293	250	543	9.2
	MS4-0533			3	380	293	235	528	8.2
PSS-2-9	MS4-0512	0.37	0.5	1	220	356	250	606	9.8
	MS4-0533			3	380	356	235	591	8.8
PSS-2-12	MS4-0712	0.55	0.75	1	220	419	250	669	11.7
	MS4-0733			3	380	419	250	669	10.6
PSS-2-15	MS4-1012	0.75	1	1	220	482	295	777	14.8
	MS4-1033			3	380	482	295	777	12.5
PSS-2-21	MS4-1512	1.1	1.5	1	220	608	340	948	16.5
	MS4-1533			3	380	608	295	903	16.2
PSS-2-27	MS4-2012	1.5	2	1	220	734	375	1109	20.4
	MS4-2033			3	380	734	340	1074	17.8
PSS-2-34	MS4-3012	2.2	3	1	220	904	430	1334	26.4
	MS4-3033			3	380	904	375	1279	24.2
PSS-2-48	MS4-5533	4	5.5	3	380	1198	555	1753	37
PSS-2-58	MS4-5533	4	5.5	3	380	1408	555	1963	40.2



※ The minimum dia of well is 106mm

※ 98mm is the maximum dia of pump including Cable guard and motor.

※ Discharge bore size : 1 ¼"(32mm)

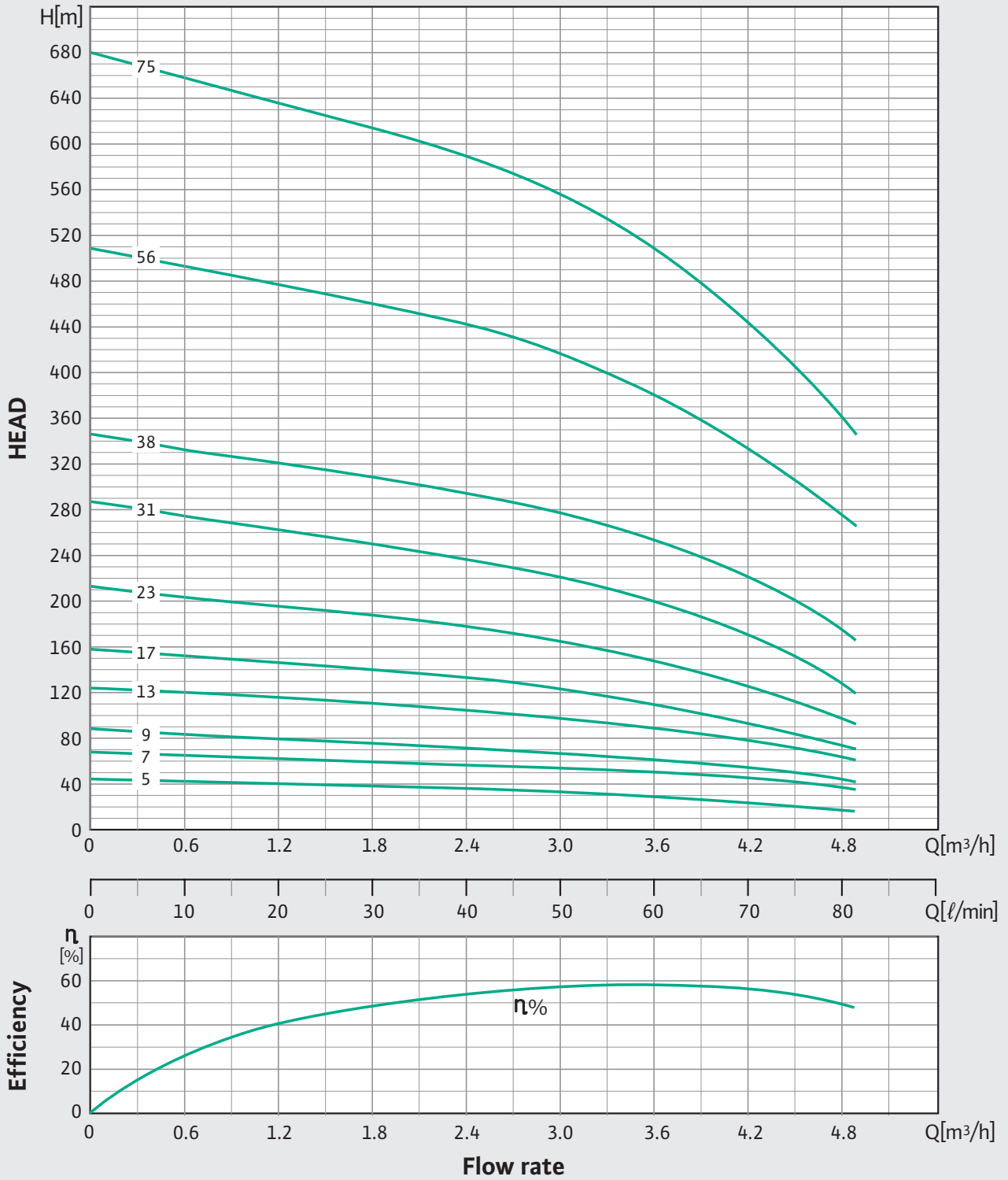
General Information

PSS Series

PSS-3 Series

Performance Curve

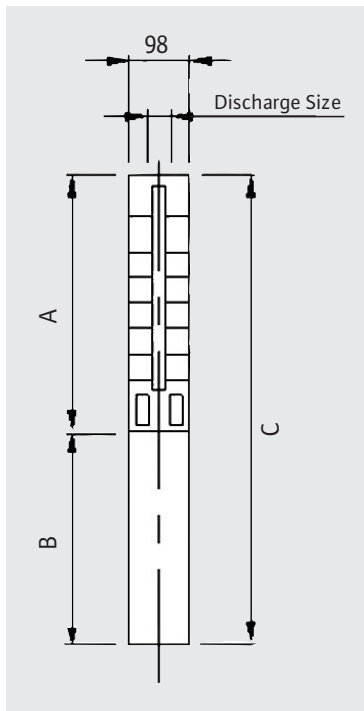
60Hz



PSS-3 Series

Technical data

Dimension and Weight									60Hz
Model	Motor	Power		Power source		Dimension[mm]			Weight [kg]
	Wilo	[kW]	[HP]	Phase	Voltage	A	B	C	
PSS-3-5	MS4-0512	0.37	0.5	1	220	272	250	522	9.1
	MS4-0533			3	380	272	235	507	8.1
PSS-3-7	MS4-0712	0.55	0.75	1	220	314	250	564	10.7
	MS4-0733			3	380	314	250	564	9.6
PSS-3-9	MS4-1012	0.75	1	1	220	356	295	651	13.6
	MS4-1033			3	380	356	295	651	11.3
PSS-3-13	MS4-1512	1.1	1.5	1	220	440	340	780	15.0
	MS4-1533			3	380	440	340	780	14.7
PSS-3-17	MS4-2012	1.5	2	1	220	524	375	899	18.5
	MS4-2033			3	380	524	375	899	15.9
PSS-3-23	MS4-3012	2.2	3	1	220	650	430	1080	22.1
	MS4-3033			3	380	650	430	1080	19.9
PSS-3-31	MS4-4033	3	4	3	380	841	480	1321	27.5
PSS-3-38	MS4-5533	4	5.5	3	380	988	555	1543	34.9
PSS-3-56	MS4-7533	5.5	7.5	3	380	1366	675	2041	45.4
PSS-3-75	MH6-10033	7.5	10	3	380	1765	598	2363	70.3



※ The minimum dia of well is 106mm

※ 98mm is the maximum dia of pump including Cable guard and motor.

※ Discharge bore size : 1 ¼"(32mm)

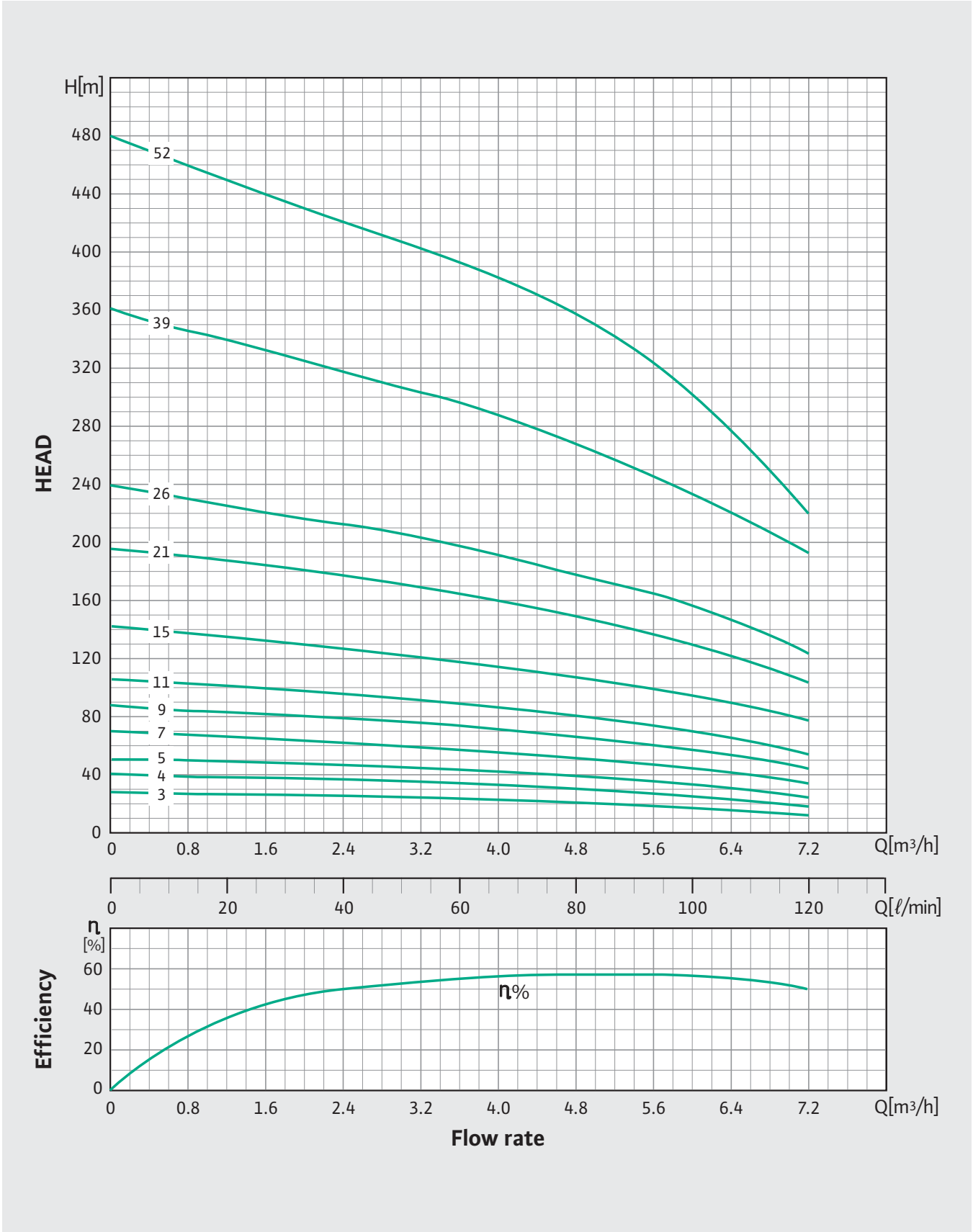
General Information

PSS Series

PSS-5 Series

Performance Curve

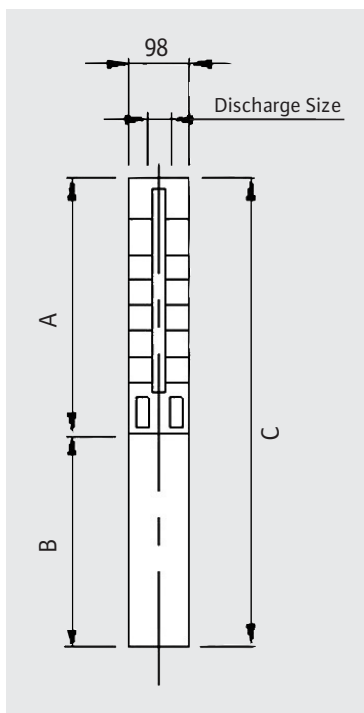
60Hz



PSS-5 Series

Technical data

Dimension and Weight									60Hz
Model	Motor	Power		Power source		Dimension[mm]			Weight [kg]
	Wilo	[kW]	[HP]	Phase	Voltage	A	B	C	
PSS-5-3	MS4-0512	0.37	0.5	1	220	230	250	480	8.7
	MS4-0533			3	380	230	235	465	7.7
PSS-5-4	MS4-0512	0.37	0.5	1	220	251	250	501	8.8
	MS4-0533			3	380	251	235	486	7.8
PSS-5-5	MS4-0712	0.55	0.75	1	220	272	265	537	10.3
	MS4-0733			3	380	272	250	522	9.2
PSS-5-7	MS4-1012	0.75	1	1	220	314	295	609	13.2
	MS4-1033			3	380	314	265	579	10.9
PSS-5-9	MS4-1512	1.1	1.5	1	220	356	340	696	14.2
	MS4-1533			3	380	356	295	651	13.9
PSS-5-11	MS4-2012	1.5	2	1	220	398	375	773	17.4
	MS4-2033			3	380	398	340	738	14.8
PSS-5-15	MS4-3012	2.2	3	1	220	482	430	912	20.5
	MS4-3033			3	380	482	375	857	18.3
PSS-5-21	MS4-4033	3	4	3	380	608	480	1088	23.6
PSS-5-26	MS4-5533	4	5.5	3	380	713	555	1268	29.6
PSS-5-39	MS4-7533	5.5	7.5	3	380	994	675	1669	40.5
PSS-5-52	MH6-10033	7.5	10	3	380	1267	685	1952	63.7



※ The minimum dia of well is 106mm

※ 98mm is the maximum dia of pump including Cable guard and motor.

※ Discharge bore size : 1 1/2"(40mm)

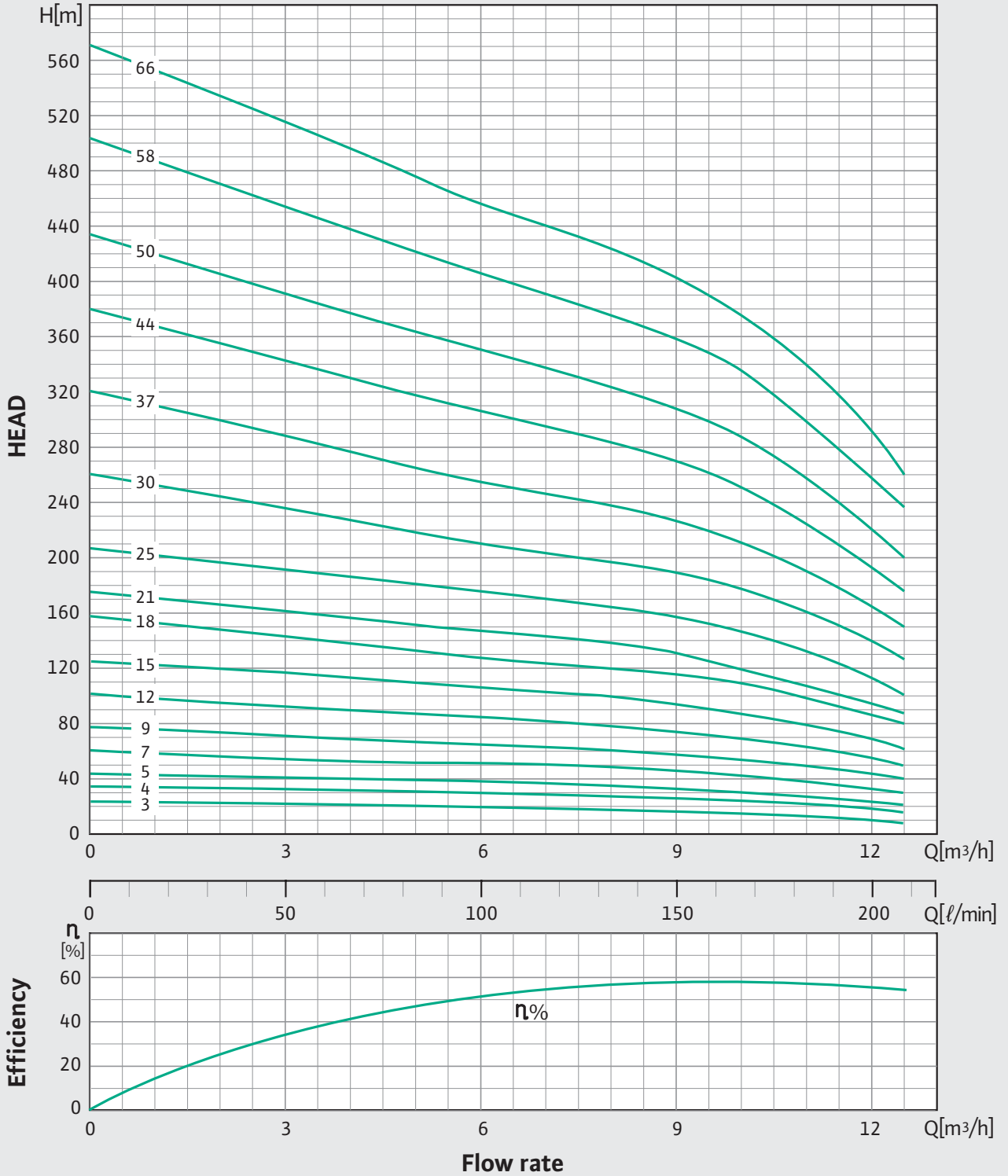
General Information

PSS Series

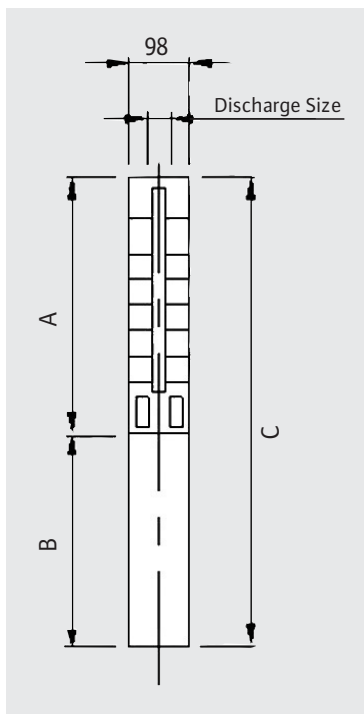
PSS-8 Series

Performance Curve

60Hz



Dimension and Weight									60Hz
Model	Motor	Power		Power source		Dimension[mm]			Weight [kg]
	Wilo	[kW]	[HP]	Phase	Voltage	A	B	C	
PSS-8-3	MS4-0712	0.55	0.75	1	220	328	250	578	11.4
	MS4-0733			3	380	328	250	578	10.3
PSS-8-4	MS4-1012	0.75	1	1	220	370	295	665	14.4
	MS4-1033			3	380	370	295	665	12.1
PSS-8-5	MS4-1512	1.1	1.5	1	220	412	340	752	15.5
	MS4-1533			3	380	412	340	752	15.2
PSS-8-7	MS4-2012	1.5	2	1	220	496	375	871	19.3
	MS4-2033			3	380	496	375	871	16.7
PSS-8-9	MS4-3012	2.2	3	1	220	580	430	1010	22.7
	MS4-3033			3	380	580	430	1010	20.5
PSS-8-12	MS4-4033	3	4	3	380	706	480	1186	26.1
PSS-8-15	MS4-5533	4	5.5	3	380	832	555	1387	31.2
PSS-8-18	MS4-7533	5.5	7.5	3	380	958	675	1633	39.9
PSS-8-21	MS4-7533	5.5	7.5	3	380	1084	675	1759	41.7
PSS-8-25	MS4-7533	5.5	7.5	3	380	1252	675	1927	43.7
PSS-8-30	MH6-10033	7.5	10	3	380	1459	685	2144	66.8
PSS-8-37	MH6-15033	11	15	3	380	1819	760	2579	78.2
PSS-8-44	MH6-15033	11	15	3	380	2113	760	2873	81.8
PSS-8-50	MH6-20033	15	20	3	380	2365	800	3165	88.8
PSS-8-58	MH6-20033	15	20	3	380	3006	800	3806	121.6
PSS-8-66	MH6-20033	15	20	3	380	3342	800	4142	129.2



- ※ The minimum dia of well is 106mm
- ※ 98mm is the maximum dia of pump including Cable guard and motor.
- ※ Discharge bore size : 2"(50mm)

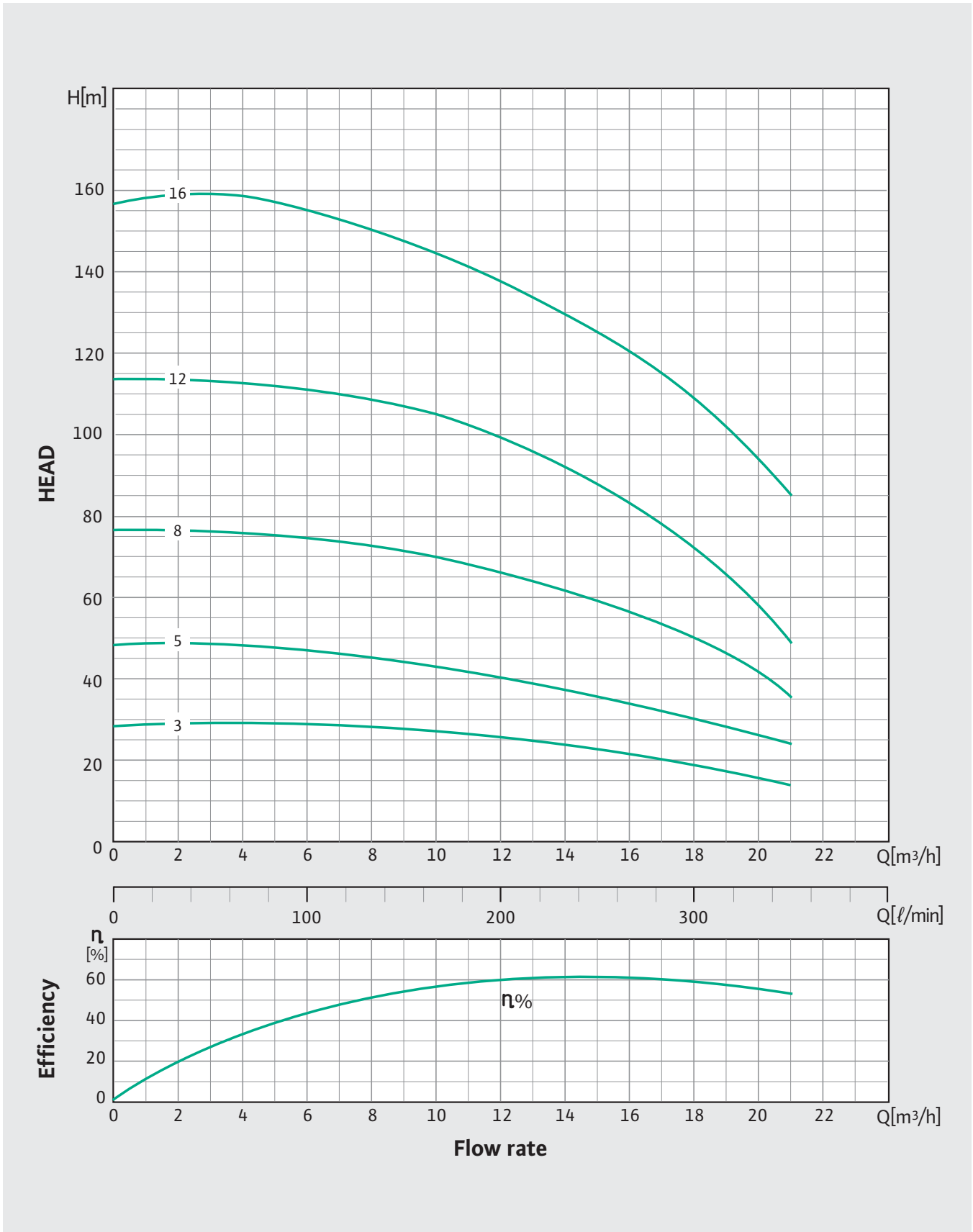
General Information

PSS Series

PSS-14 Series

Performance Curve

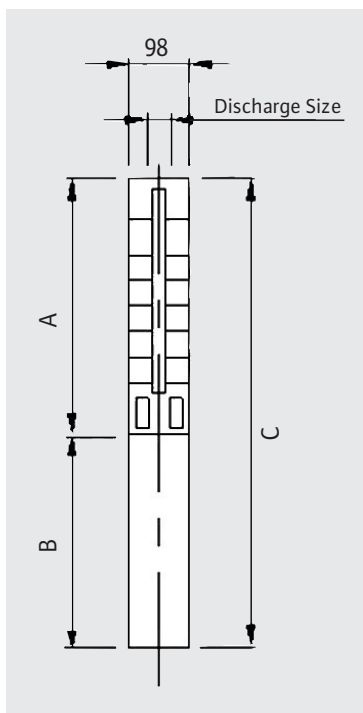
60Hz



PSS-14 Series

Technical data

Dimension and Weight									60Hz
Model	Motor	Power		Power source		Dimension[mm]			Weight [kg]
	Wilo	[kW]	[HP]	Phase	Voltage	A	B	C	
PSS-14-3	MS4-2012	1.5	2	1	220	375	375	750	17.7
	MS4-2033			3	380	375	340	715	15.1
PSS-14-5	MS4-3012	2.2	3	1	220	505	430	935	21.4
	MS4-3033			3	380	505	375	880	19.2
PSS-14-8	MS4-5533	4	5.5	3	380	700	555	1255	30.4
PSS-14-12	MS4-7533	5.5	7.5	3	380	960	675	1635	38.9
PSS-14-16	MH6-10033	7.5	10	3	380	1220	685	1905	62.1



- ※ The minimum dia of well is 106mm
- ※ 98mm is the maximum dia of pump including Cable guard and motor
- ※ Discharge bore size : 2"(50mm)

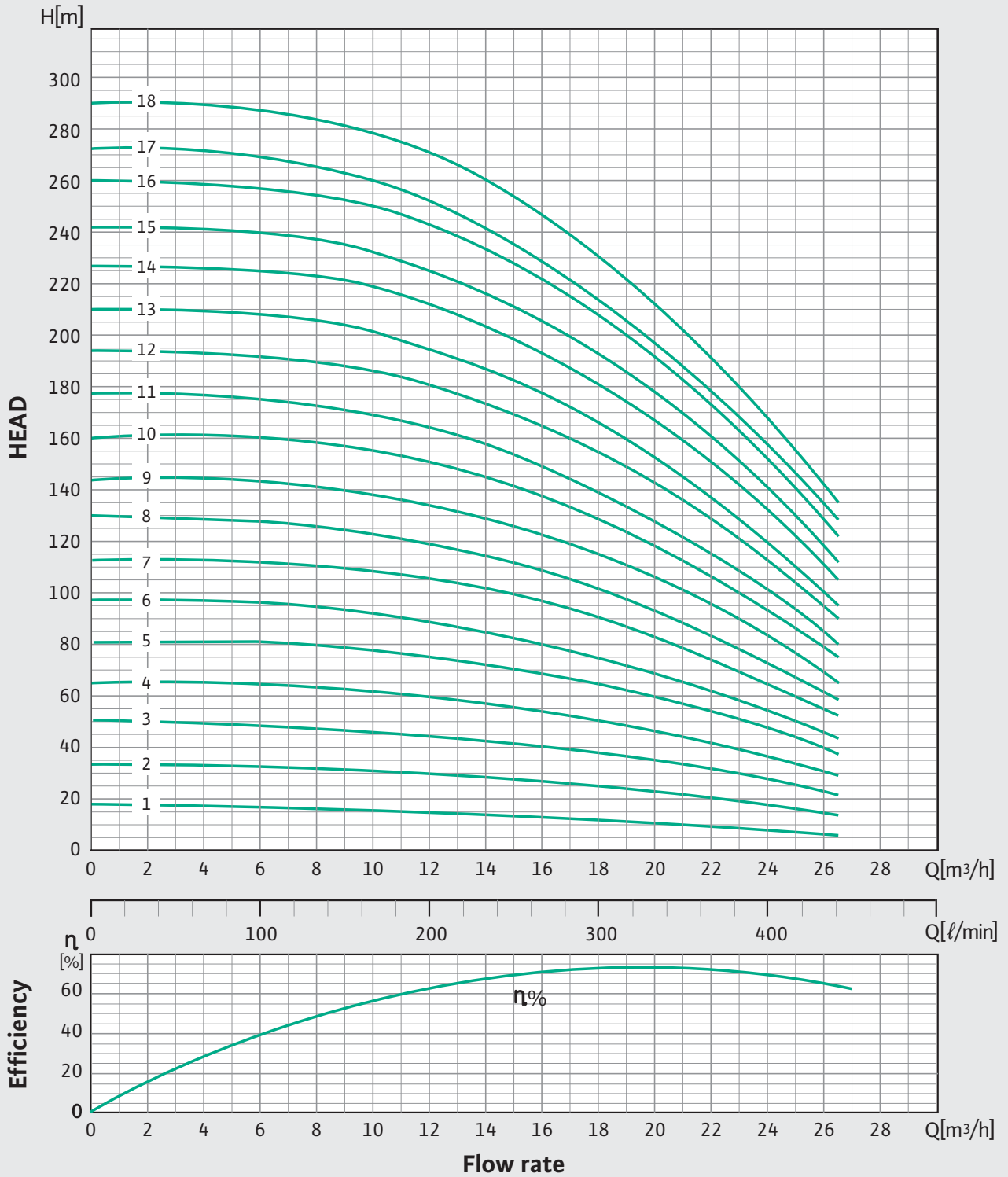
General Information

PSS Series

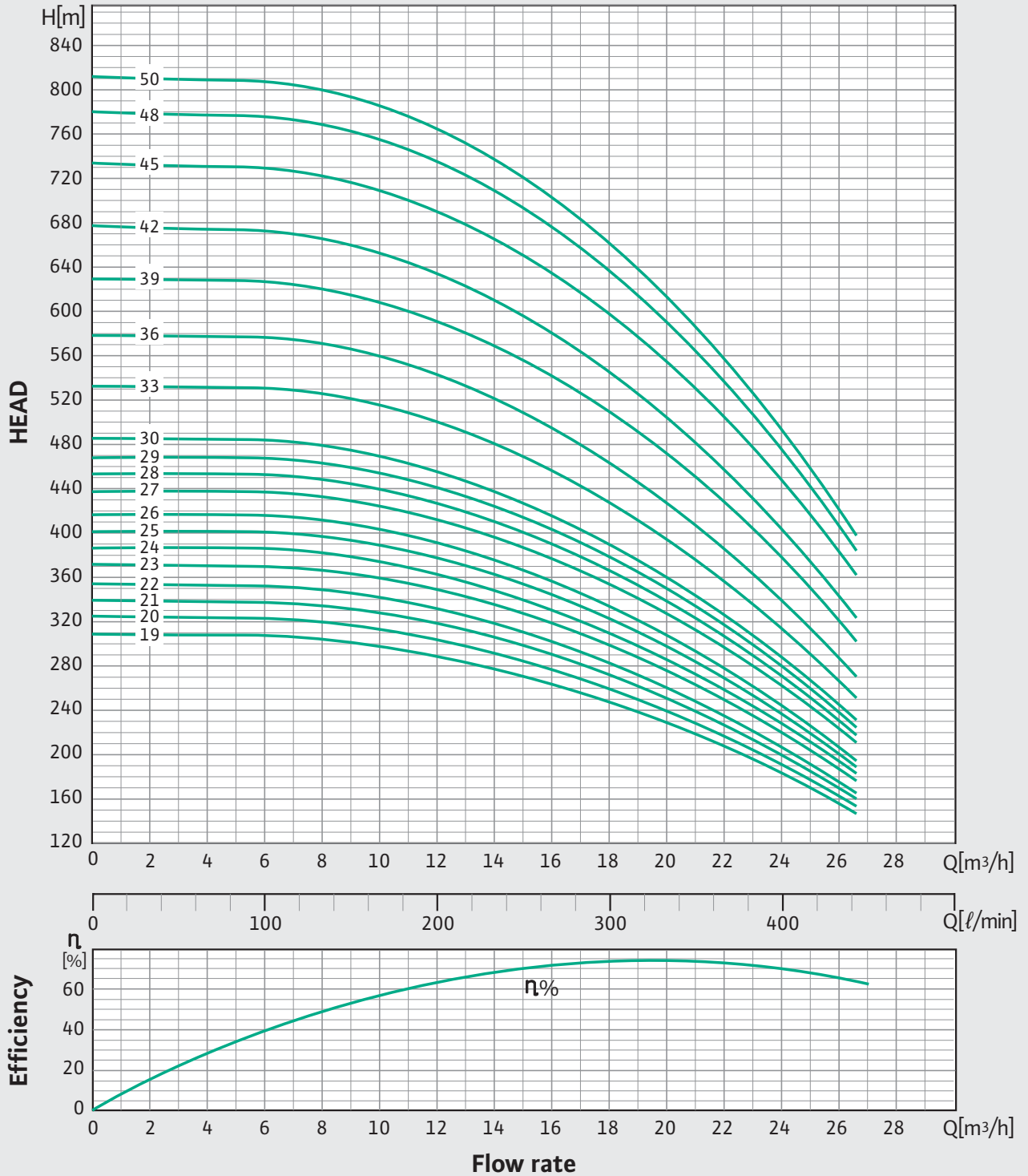
PSS-17 Series

Performance Curve

60Hz



60Hz



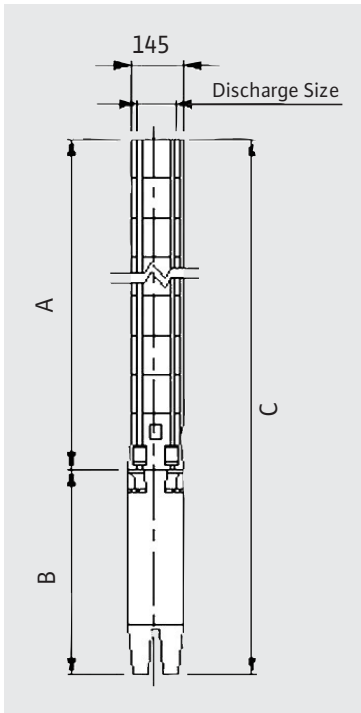
General Information

PSS Series

PSS-17 Series

Technical data

Dimension and Weight									60Hz
Model	Motor	Power		Power source		Dimension[mm]			Weight [kg]
	Wilo	[kW]	[HP]	Phase	Voltage	A	B	C	
PSS-17-1	MS4-1512	1.1	1.5	1	220	343	340	683	16.2
	MS4-1533			3	380	343	295	638	15.9
PSS-17-2	MS4-3012	2.2	3	1	220	403	430	833	22.8
	MS4-3033			3	380	403	375	778	20.6
PSS-17-3	MS4-4033	3	4	3	380	464	480	944	26.2
PSS-17-4	MS4-5533	4	5.5	3	380	524	555	1079	32.7
PSS-17-5	MS4-7533	5.5	7.5	3	380	585	675	1260	40.2
PSS-17-6	MS4-7533	5.5	7.5	3	380	645	675	1320	41.6
PSS-17-7	MH6-10033	7.5	10	3	380	706	685	1391	63.7
PSS-17-8	MH6-10033	7.5	10	3	380	766	685	1451	65.1
PSS-17-9	MH6-10033	7.5	10	3	380	827	685	1512	66.6
PSS-17-10	MH6-15033	11	15	3	380	887	760	1647	76.0
PSS-17-11	MH6-15033	11	15	3	380	948	760	1708	77.5
PSS-17-12	MH6-15033	11	15	3	380	1008	760	1768	78.9
PSS-17-13	MH6-15033	11	15	3	380	1069	760	1829	80.4
PSS-17-14	MH6-20033	15	20	3	380	1129	800	1929	85.8
PSS-17-15	MH6-20033	15	20	3	380	1190	800	1990	87.3
PSS-17-16	MH6-20033	15	20	3	380	1250	800	2050	88.7
PSS-17-17	MH6-20033	15	20	3	380	1311	800	2111	90.2
PSS-17-18	MH6-20033	15	20	3	380	1371	800	2171	91.6
PSS-17-19	MH6-25033	18.5	25	3	380	1432	920	2352	104.1
PSS-17-20	MH6-25033	18.5	25	3	380	1492	920	2412	105.5
PSS-17-21	MH6-25033	18.5	25	3	380	1553	920	2473	107.0
PSS-17-22	MH6-25033	18.5	25	3	380	1613	920	2533	108.4
PSS-17-23	MH6-30033	22	30	3	380	1674	970	2644	116.9
PSS-17-24	MH6-30033	22	30	3	380	1734	970	2704	118.3
PSS-17-25	MH6-30033	22	30	3	380	1795	970	2765	119.8
PSS-17-26	MH6-30033	22	30	3	380	1855	970	2825	121.2
PSS-17-27	MH6-40033	30	40	3	380	1916	1030	2946	127.7
PSS-17-28	MH6-40033	30	40	3	380	1976	1030	3006	129.1
PSS-17-29	MH6-40033	30	40	3	380	2037	1030	3067	130.6
PSS-17-30	MH6-40033	30	40	3	380	2097	1030	3127	132.0
PSS-17-33	MH6-40033	30	40	3	380	2279	1030	3309	136.4
PSS-17-36	MH6-40033	30	40	3	380	2460	1030	3490	140.7
PSS-17-39	MH6-50033	37	50	3	380	2642	1060	3702	150.1
PSS-17-42	MH6-50033	37	50	3	380	3195	1060	4255	196.5
PSS-17-45	MH6-50033	37	50	3	380	3377	1060	4437	207.0
PSS-17-48	MH6-50033	37	50	3	380	3558	1060	4618	217.5
PSS-17-50	MH6-50033	37	50	3	380	3679	1060	4739	224.5



- ※ The minimum dia of well is 156mm
- ※ 145mm is the maximum dia of pump including Cable guard and motor.
- ※ Discharge bore size : 2 1/2"(65mm)
- ※ Using 4inch motor below 7.5HP model

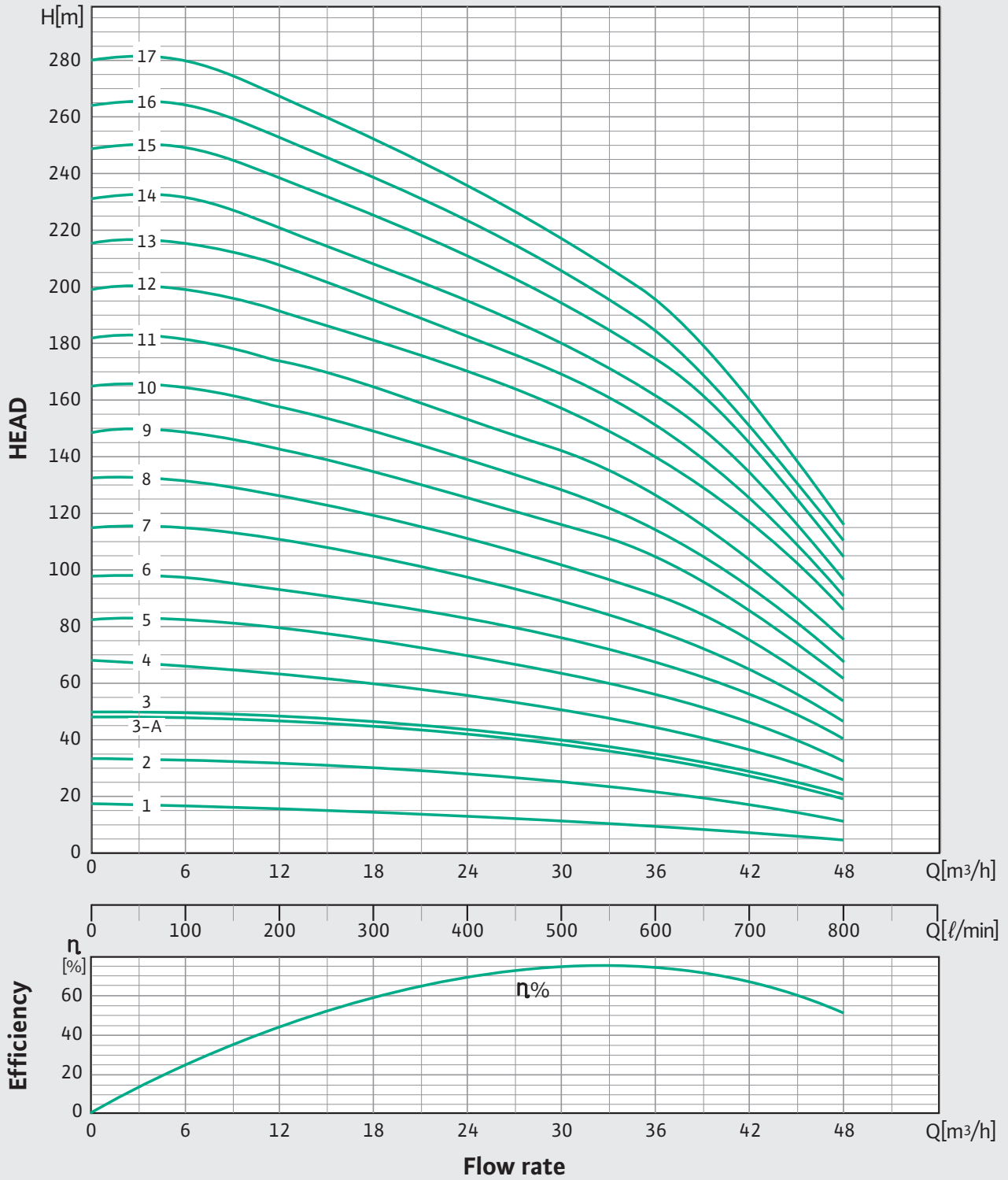
General Information

PSS Series

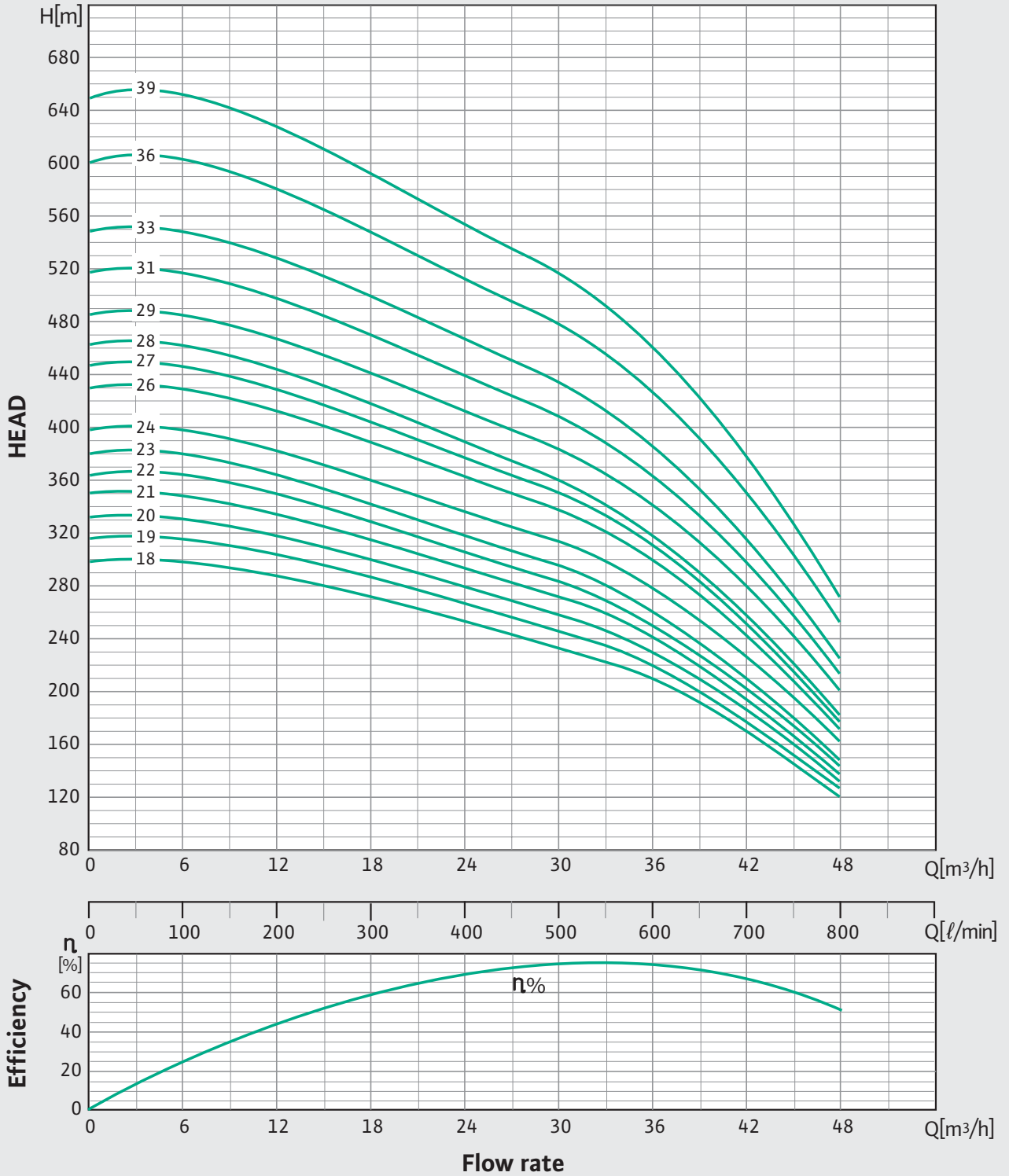
PSS-30 Series

Performance Curve

60Hz



60Hz



General Information

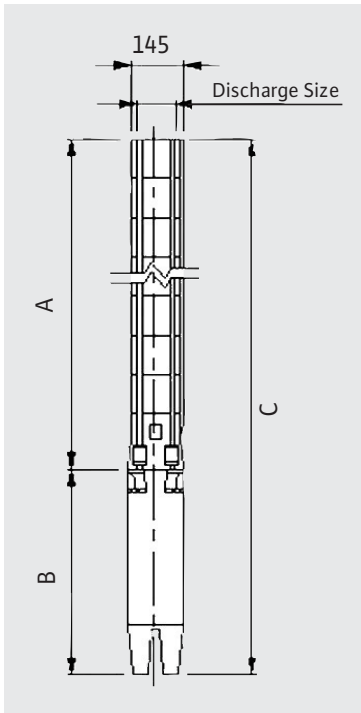
PSS Series

PSS-30 Series

Technical data

Dimension and Weight									60Hz
Model	Motor	Power		Power source		Dimension[mm]			Weight [kg]
	Wilo	[kW]	[HP]	Phase	Voltage	A	B	C	
PSS-30-1	MS4-2012	1.5	2	1	220	366	375	741	20.7
	MS4-2033			3	380	366	340	706	18.1
PSS-30-2	MS4-4033	3	4	3	380	462	480	942	26.7
PSS-30-3-A	MS4-5533	4	5.5	3	380	558	555	1113	33.5
PSS-30-3	MS4-5533	4	5.5	3	380	558	555	1113	33.5
PSS-30-4	MS4-7533	5.5	7.5	3	380	654	675	1329	41.2
PSS-30-5	MH6-10033	7.5	10	3	380	750	685	1435	63.5
PSS-30-6	MH6-15033	11	15	3	380	846	760	1606	73.2
PSS-30-7	MH6-15033	11	15	3	380	942	760	1702	74.9
PSS-30-8	MH6-15033	11	15	3	380	1038	760	1798	76.6
PSS-30-9	MH6-20033	15	20	3	380	1134	800	1934	82.3
PSS-30-10	MH6-20033	15	20	3	380	1230	800	2030	84
PSS-30-11	MH6-20033	15	20	3	380	1326	800	2126	85.6
PSS-30-12	MH6-25033	18.5	25	3	380	1422	920	2342	98.3
PSS-30-13	MH6-25033	18.5	25	3	380	1518	920	2438	100
PSS-30-14	MH6-25033	18.5	25	3	380	1614	920	2534	101.7
PSS-30-15	MH6-30033	22	30	3	380	1710	970	2680	110.4
PSS-30-16	MH6-30033	22	30	3	380	1806	970	2776	112.1
PSS-30-17	MH6-30033	22	30	3	380	1902	970	2872	113.8
PSS-30-18	MH6-40033	30	40	3	380	1998	1030	3028	120.5
PSS-30-19	MH6-40033	30	40	3	380	2094	1030	3124	122.2
PSS-30-20	MH6-40033	30	40	3	380	2190	1030	3220	123.9
PSS-30-21	MH6-40033	30	40	3	380	2286	1030	3316	125.6
PSS-30-22	MH6-40033	30	40	3	380	2382	1030	3412	127.3
PSS-30-23	MH6-40033	30	40	3	380	2478	1030	3508	129
PSS-30-24	MH6-50033	37	50	3	380	2574	1060	3634	135.6
PSS-30-26	MH6-50033	37	50	3	380	2766	1060	3826	139
PSS-30-27	MH6-50033	37	50	3	380	2862	1060	3922	140.7
PSS-30-28	MH6-50033	37	50	3	380	2958	1060	4018	142.4
PSS-30-29	MH6-60033	45	60	3	380	3054	1057	4111	219.1
	MH8-60033	45	60	3	380	3054	1250	4304	239.1
PSS-30-31	MH6-60033	45	60	3	380	3246	1057	4303	222.5
	MH8-60033	45	60	3	380	3246	1250	4496	242.5
PSS-30-33	MH6-60033	45	60	3	380	3438	1057	4495	225.9
	MH8-60033	45	60	3	380	3438	1250	4688	245.9
PSS-30-36	MH8-75033	55	75	3	380	3754	1350	5104	276.1
PSS-30-39	MH8-75033	55	75	3	380	4042	1350	5392	281.1

* Please inquire to Wilo Pumps Ltd when you need more than 50HP



- ※ The minimum dia of well is 156mm
- ※ 145mm is the maximum dia of pump including Cable guard and motor.
- ※ Discharge bore size : 3"(80mm)
- ※ Using 4inch motor below 7.5HP model

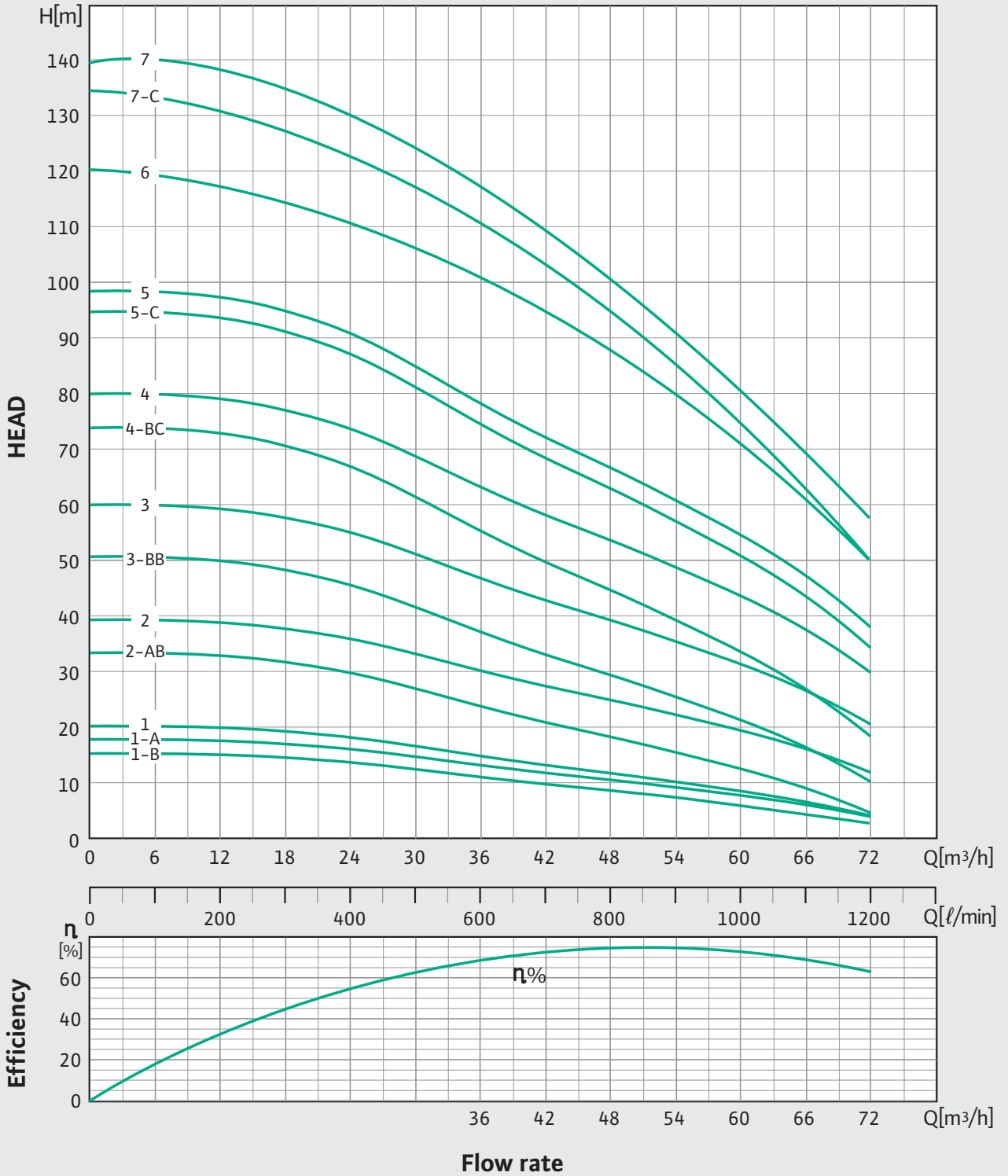
General Information

PSS Series

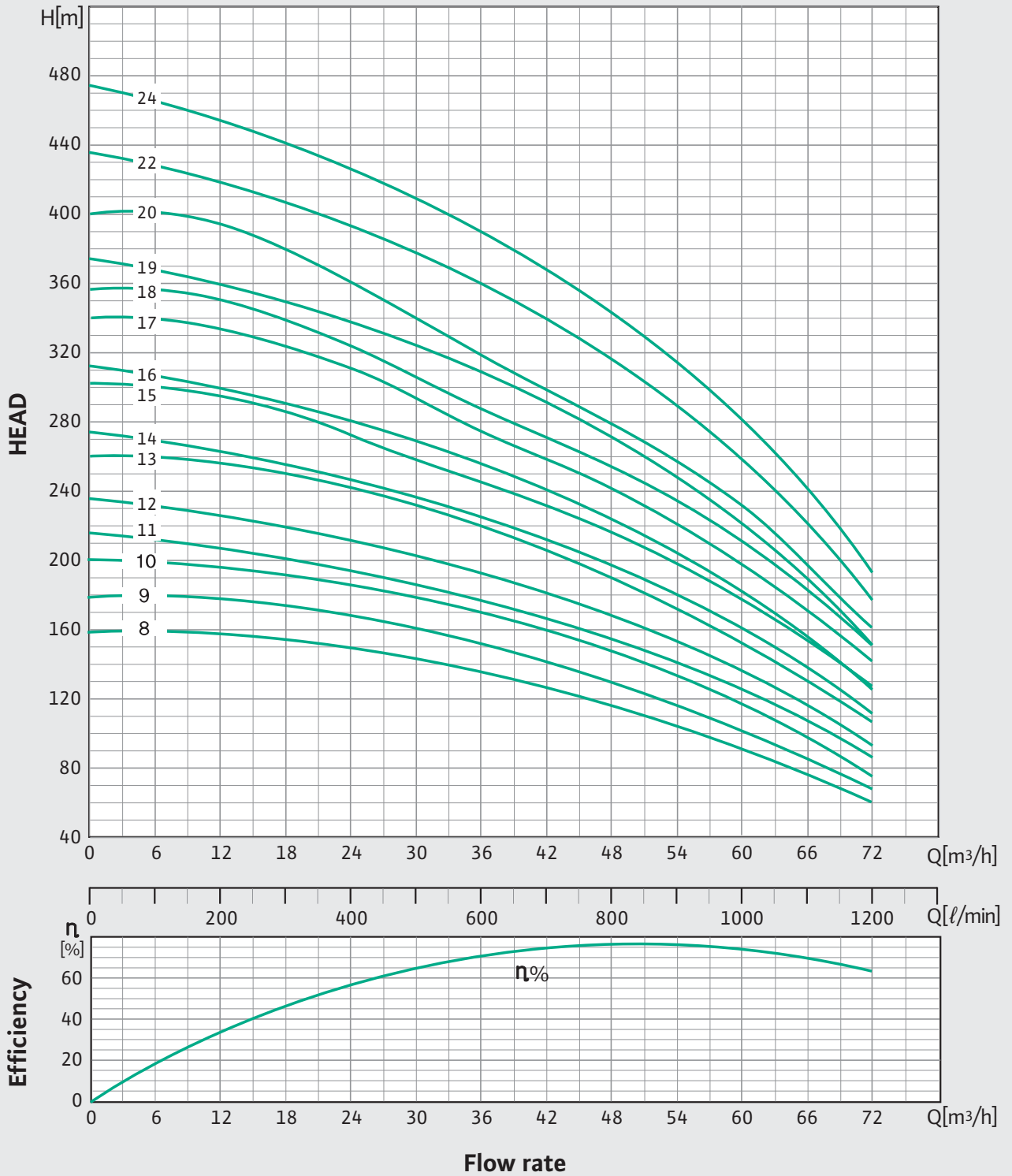
PSS-46 Series

Performance Curve

60Hz



60Hz



General Information

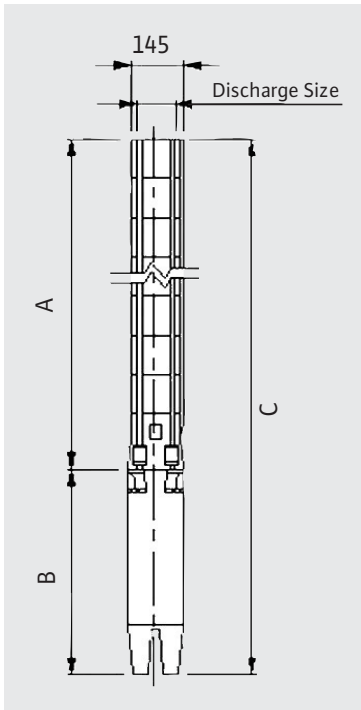
PSS Series

PSS-46 Series

Technical data

Dimension and Weight									60Hz
Model	Motor	Power		Power source		Dimension[mm]			Weight [kg]
	Wilo	[kW]	[HP]	Phase	Voltage	A	B	C	
PSS-46-1-B	MS4-2012	1.5	2	1	220	383	375	758	20.9
	MS4-2033			3	380	383	340	723	18.3
PSS-46-1-A	MS4-3012	2.2	3	1	220	383	430	813	23.3
	MS4-3033			3	380	383	375	758	21.1
PSS-46-1	MS4-4033	3	4	3	380	383	480	863	25.2
PSS-46-2-AB	MS4-5533	4	5.5	3	380	496	555	1051	32.6
PSS-46-2	MS4-7533	5.5	7.5	3	380	496	675	1171	38.6
PSS-46-3-BB	MS4-7533	5.5	7.5	3	380	609	675	1284	40.9
PSS-46-3	MH6-10033	7.5	10	3	380	609	685	1294	61.5
PSS-46-4-BC	MH6-10033	7.5	10	3	380	722	685	1407	63.7
PSS-46-4	MH6-15033	9.3	12.5	3	380	722	760	1482	71.7
PSS-46-5-C	MH6-15033	11	15	3	380	835	760	1595	74
PSS-46-5	MH6-20033	13	17.5	3	380	835	800	1635	78
PSS-46-6	MH6-20033	15	20	3	380	948	800	1748	80.3
PSS-46-7-C	MH6-20033	15	20	3	380	1061	800	1861	82.6
PSS-46-7	MH6-25033	18.5	25	3	380	1061	920	1981	93.6
PSS-46-8	MH6-25033	18.5	25	3	380	1174	920	2094	95.9
PSS-46-9	MH6-30033	22	30	3	380	1287	970	2257	105.1
PSS-46-10	MH6-30033	22	30	3	380	1400	970	2370	107.4
PSS-46-11	MH6-40033	30	40	3	380	1513	1030	2543	114.7
PSS-46-12	MH6-40033	30	40	3	380	1626	1030	2656	117
PSS-46-13	MH6-40033	30	40	3	380	1739	1030	2769	119.3
PSS-46-14	MH6-50033	37	50	3	380	1852	1060	2912	126.5
PSS-46-15	MH6-50033	37	50	3	380	1965	1060	3025	128.8
PSS-46-16	MH6-50033	37	50	3	380	2078	1060	3138	131.1
PSS-46-17	MH6-50033	37	50	3	380	2191	1060	3251	133.4
PSS-46-18	MH6-60033	45	60	3	380	2304	1057	3361	210.7
	MH8-60033	45	60	3	380	2304	1250	3554	230.7
PSS-46-19	MH6-60033	45	60	3	380	2417	1057	3474	212.9
	MH8-60033	45	60	3	380	2417	1250	3667	232.9
PSS-46-20	MH6-60033	45	60	3	380	2530	1057	3587	215.2
	MH8-60033	45	60	3	380	2530	1250	3780	235.2
PSS-46-22	MH8-75033	55	75	3	380	2784	1350	4134	264.8
PSS-46-24	MH8-75033	55	75	3	380	3010	1350	4360	269.3

* Please inquire to Wilo Pumps Ltd when you need more than 50HP



- ※ The minimum dia of well is 156mm
- ※ 145mm is the maximum dia of pump including Cable guard and motor.
- ※ Discharge bore size : 4"(100mm)
- ※ Using 4inch motor below 7.5HP model

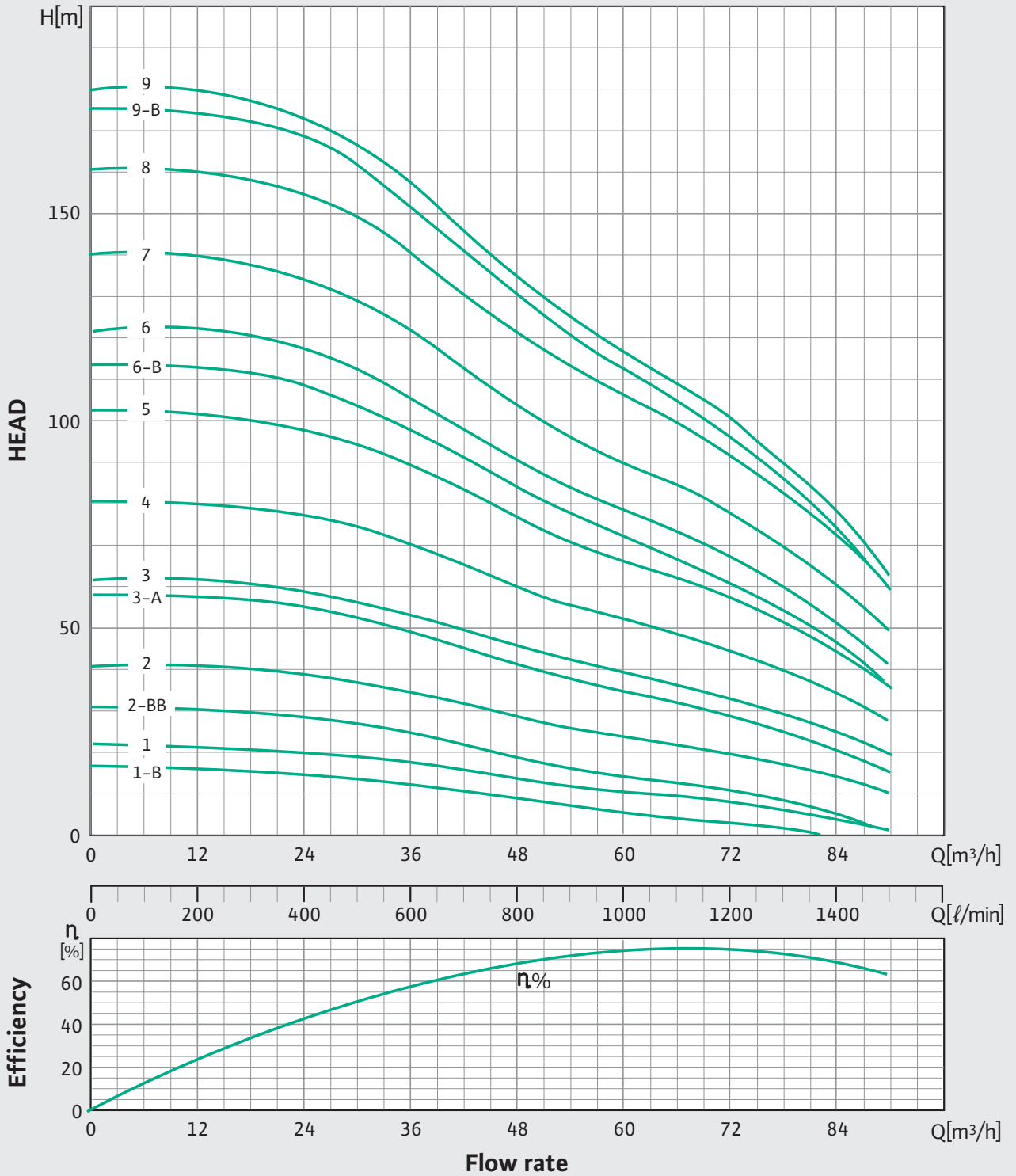
General Information

PSS Series

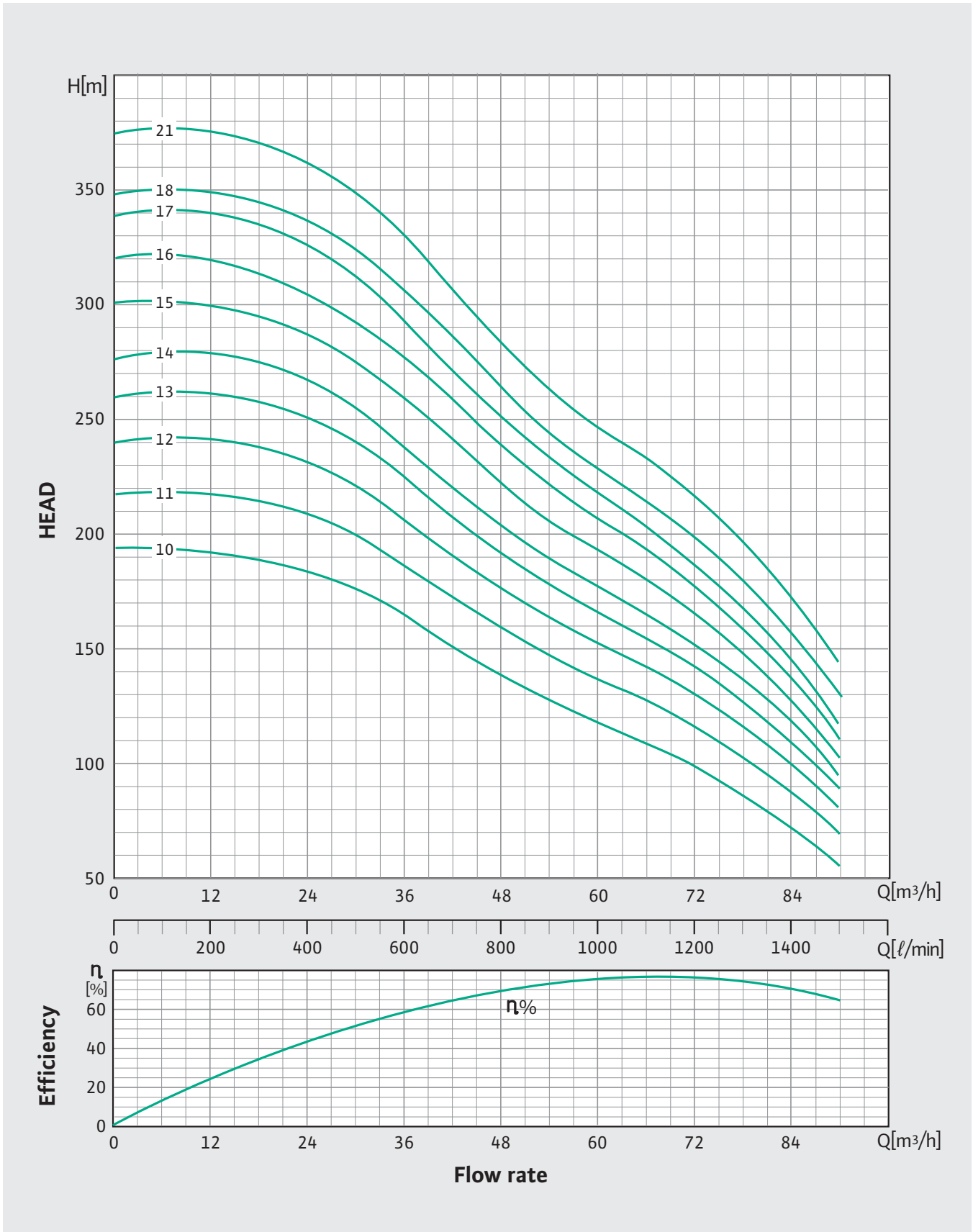
PSS-60 Series

Performance Curve

60Hz



60Hz



General Information

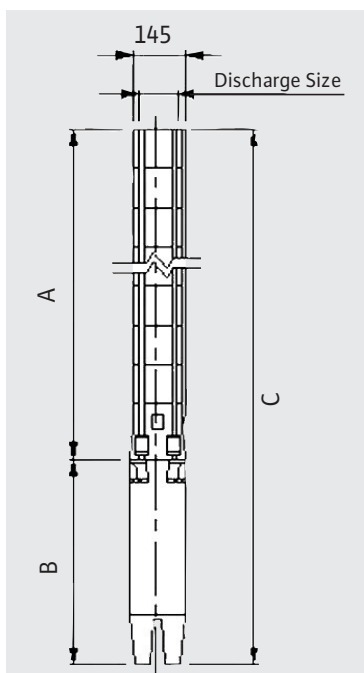
PSS Series

PSS-60 Series

Technical data

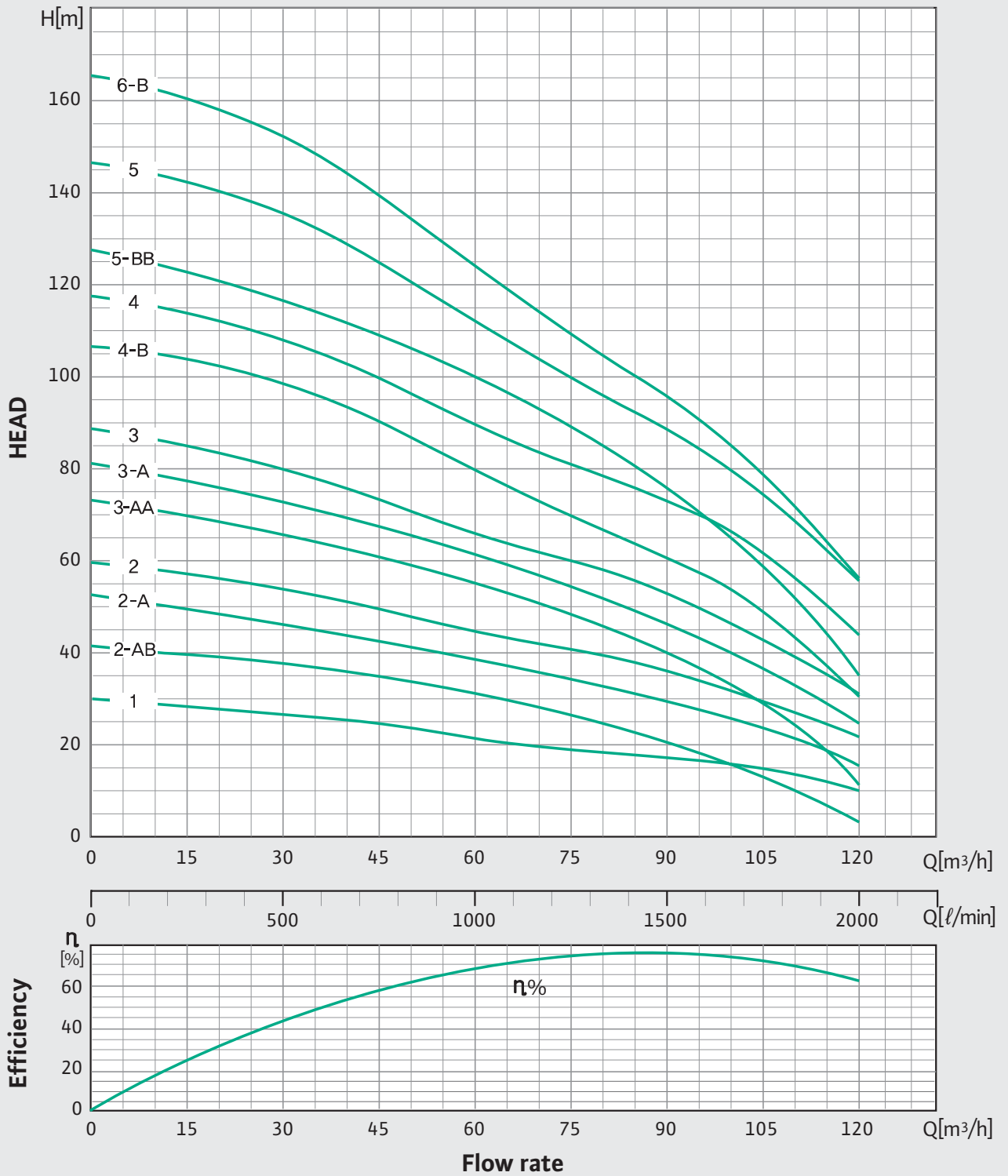
Dimension and Weight									60Hz
Model	Motor	Power		Power source		Dimension[mm]			Weight [kg]
	Wilo	[kW]	[HP]	Phase	Voltage	A	B	C	
PSS-60-1-B	MS4-3012	2.2	3	1	220	383	430	813	23.3
	MS4-3033			3	380	383	375	758	21.1
PSS-60-1	MS4-5533	4	5.5	3	380	383	555	938	30.3
PSS-60-2-BB	MS4-5533	4	5.5	3	380	496	555	1051	32.6
PSS-60-2	MS4-7533	5.5	7.5	3	380	496	675	1171	38.6
PSS-60-3-A	MH6-10033	7.5	10	3	380	609	685	1294	61.5
PSS-60-3	MH6-15033	9.3	12.5	3	380	609	760	1369	69.5
PSS-60-4	MH6-15033	11	15	3	380	722	760	1482	71.7
PSS-60-5	MH6-20033	13	17.5	3	380	835	800	1635	78
PSS-60-6-B	MH6-20033	15	20	3	380	948	800	1748	80.3
PSS-60-6	MH6-25033	18.5	25	3	380	948	920	1868	91.3
PSS-60-7	MH6-25033	18.5	25	3	380	1061	920	1981	93.6
PSS-60-8	MH6-30033	22	30	3	380	1174	970	2144	102.9
PSS-60-9-B	MH6-30033	22	30	3	380	1287	970	2257	105.1
PSS-60-9	MH6-40033	30	40	3	380	1287	1030	2317	110.1
PSS-60-10	MH6-40033	30	40	3	380	1400	1030	2430	112.4
PSS-60-11	MH6-40033	30	40	3	380	1513	1030	2543	114.7
PSS-60-12	MH6-50033	37	50	3	380	1626	1060	2686	122
PSS-60-13	MH6-50033	37	50	3	380	1739	1060	2799	124.3
PSS-60-14	MH6-50033	37	50	3	380	1852	1060	2912	126.5
PSS-60-15	MH6-60033	45	60	3	380	1965	1057	3022	203.8
	MH8-60033	45	60	3	380	1965	1250	3215	223.8
PSS-60-16	MH6-60033	45	60	3	380	2078	1057	3135	206.1
	MH8-60033	45	60	3	380	2078	1250	3328	226.1
PSS-60-17	MH6-60033	45	60	3	380	2191	1057	3248	208.4
	MH8-60033	45	60	3	380	2191	1250	3441	228.4
PSS-60-18	MH8-75033	55	75	3	380	2332	1350	3682	255.7
PSS-60-21	MH8-75033	55	75	3	380	2671	1350	4021	262.5

* Please inquire to Wilo Pumps Ltd when you need more than 50HP



- ※ The minimum dia of well is 156mm
- ※ 145mm is the maximum dia of pump including Cable guard and motor.
- ※ Discharge bore size : 4"(100mm)
- ※ Using 4inch motor below 7.5HP model

60Hz



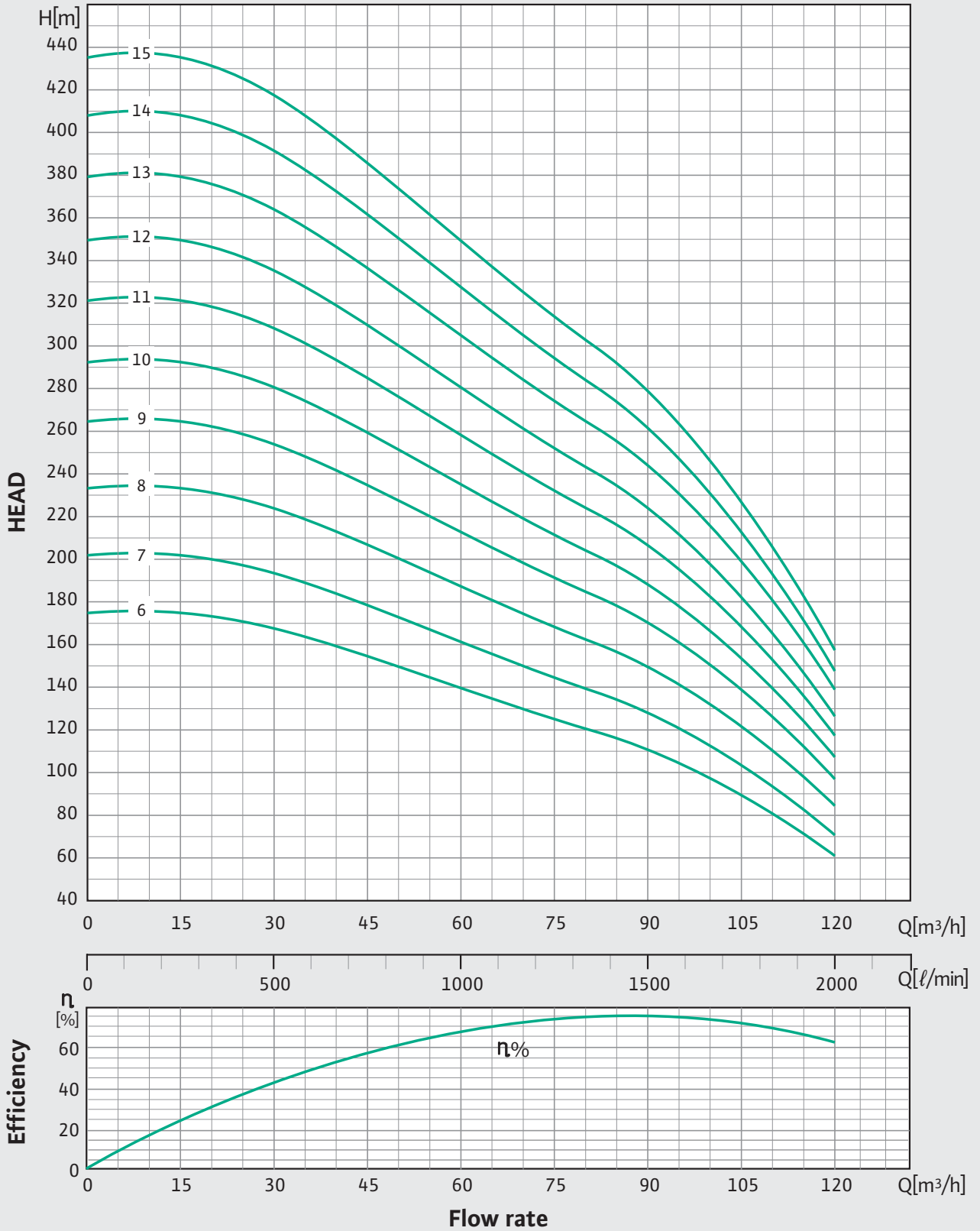
General Information

PSS Series

PSS-77 Series

Performance Curve

60Hz

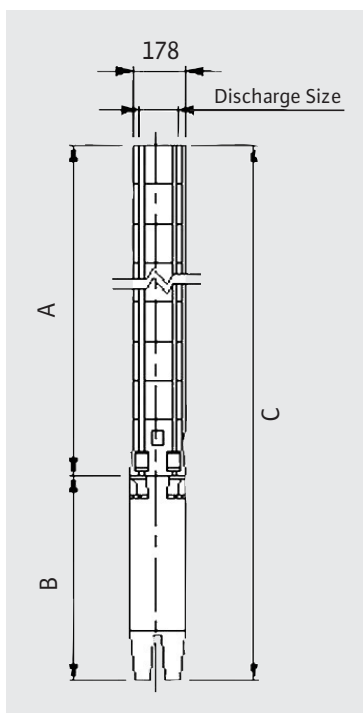


PSS-77 Series

Technical data

Dimension and Weight									60Hz
Model	Motor	Power		Power source		Dimension[mm]			Weight [kg]
	Wilo	[kW]	[HP]	Phase	Voltage	A	B	C	
PSS-77-1	MS4-7533	5.5	7.5	3	380	618	675	1293	54.5
PSS-77-2-AB	MH6-10033	7.5	10	3	380	746	685	1431	78.7
PSS-77-2-A	MH6-15033	9.3	12.5	3	380	746	760	1506	86.7
PSS-77-2	MH6-15033	11	15	3	380	746	760	1506	86.7
PSS-77-3-AA	MH6-20033	13	17.5	3	380	874	800	1674	94.3
PSS-77-3-A	MH6-20033	15	20	3	380	874	800	1674	94.3
PSS-77-3	MH6-25033	18.5	25	3	380	874	920	1794	105.3
PSS-77-4-B	MH6-25033	18.5	25	3	380	1003	920	1923	108.9
PSS-77-4	MH6-30033	22	30	3	380	1003	970	1973	115.9
PSS-77-5-BB	MH6-30033	22	30	3	380	1131	970	2101	119.5
PSS-77-5	MH6-40033	30	40	3	380	1131	1030	2161	124.5
PSS-77-6-B	MH6-40033	30	40	3	380	1259	1030	2289	128
PSS-77-6	MH6-50033	37	50	3	380	1259	1060	2319	133
PSS-77-7	MH6-50033	37	50	3	380	1387	1060	2447	136.6
PSS-77-8	MH6-60033	45	60	3	380	1527	1057	2584	216.6
	MH8-60033	45	60	3	380	1527	1250	2777	236.6
PSS-77-9	MH8-75033	55	75	3	380	1655	1350	3005	265.2
PSS-77-10	MH8-75033	55	75	3	380	1783	1350	3133	238.8
PSS-77-11	MH8-100033	75	100	3	380	1911	1480	3391	297.4
PSS-77-12	MH8-100033	75	100	3	380	2039	1480	3519	301
PSS-77-13	MH8-100033	75	100	3	380	2168	1480	3648	304.6
PSS-77-14	MH8-100033	75	100	3	380	2296	1480	3776	308.2
PSS-77-15	MH8-125033	93	125	3	380	2424	1680	4104	346.8

* Please inquire to Wilo Pumps Ltd when you need more than 50HP



- ※ The minimum dia of well is 205mm
- ※ 178mm is the maximum dia of pump including Cable guard and motor.
- ※ Discharge bore size : 5"(125mm)
- ※ Using 6inch motor to PSS-77 Series

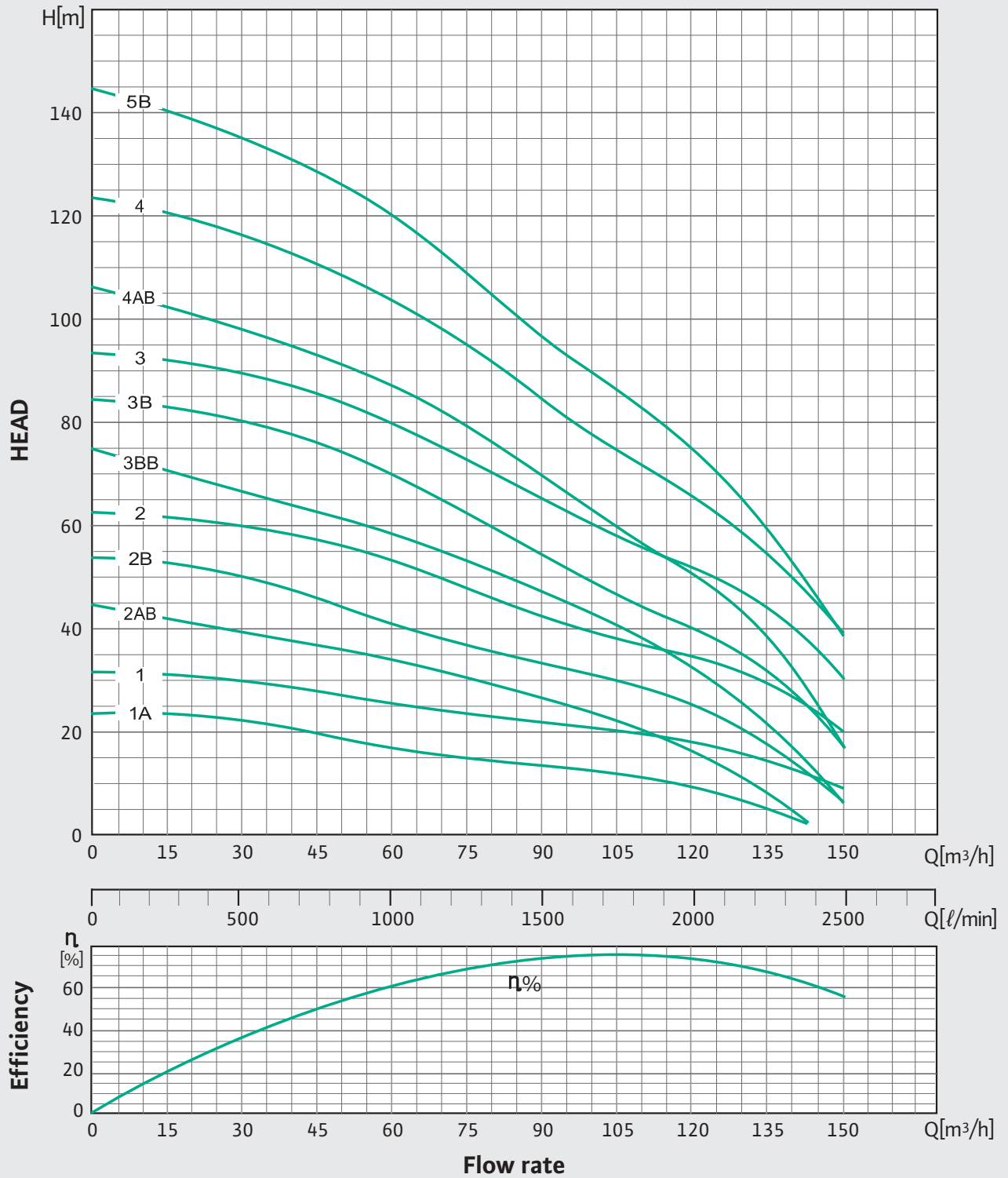
General Information

PSS Series

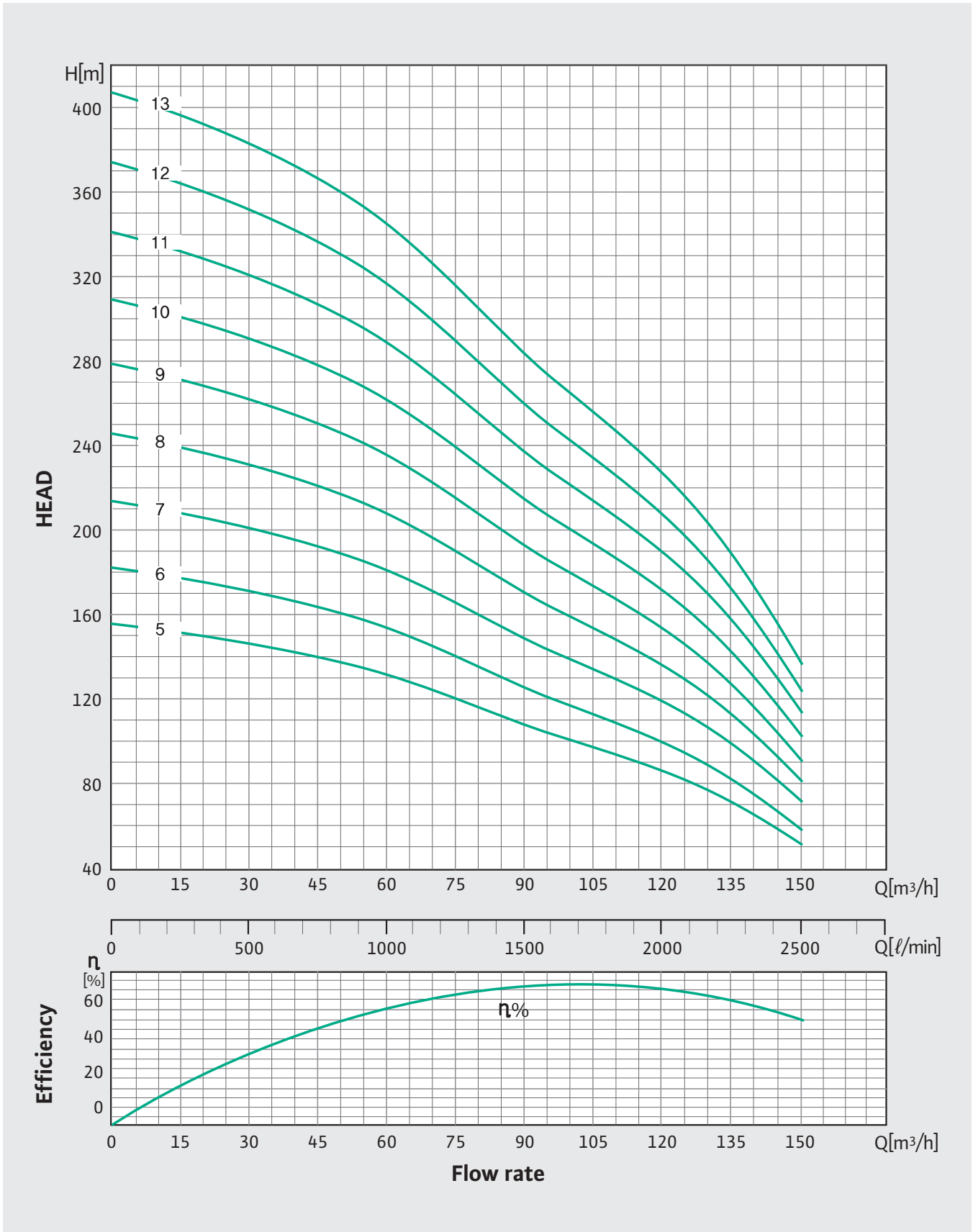
PSS-95 Series

Performance Curve

60Hz



60Hz



General Information

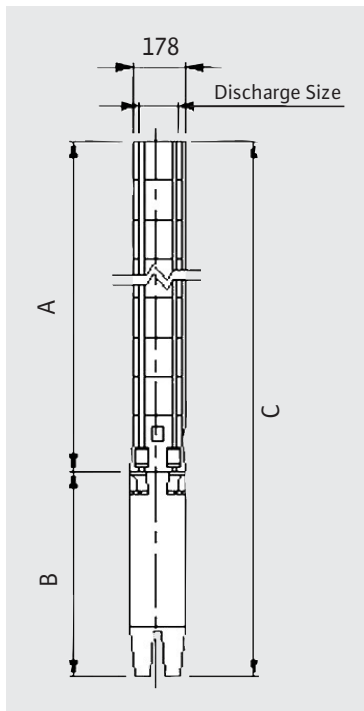
PSS Series

PSS-95 Series

Technical data

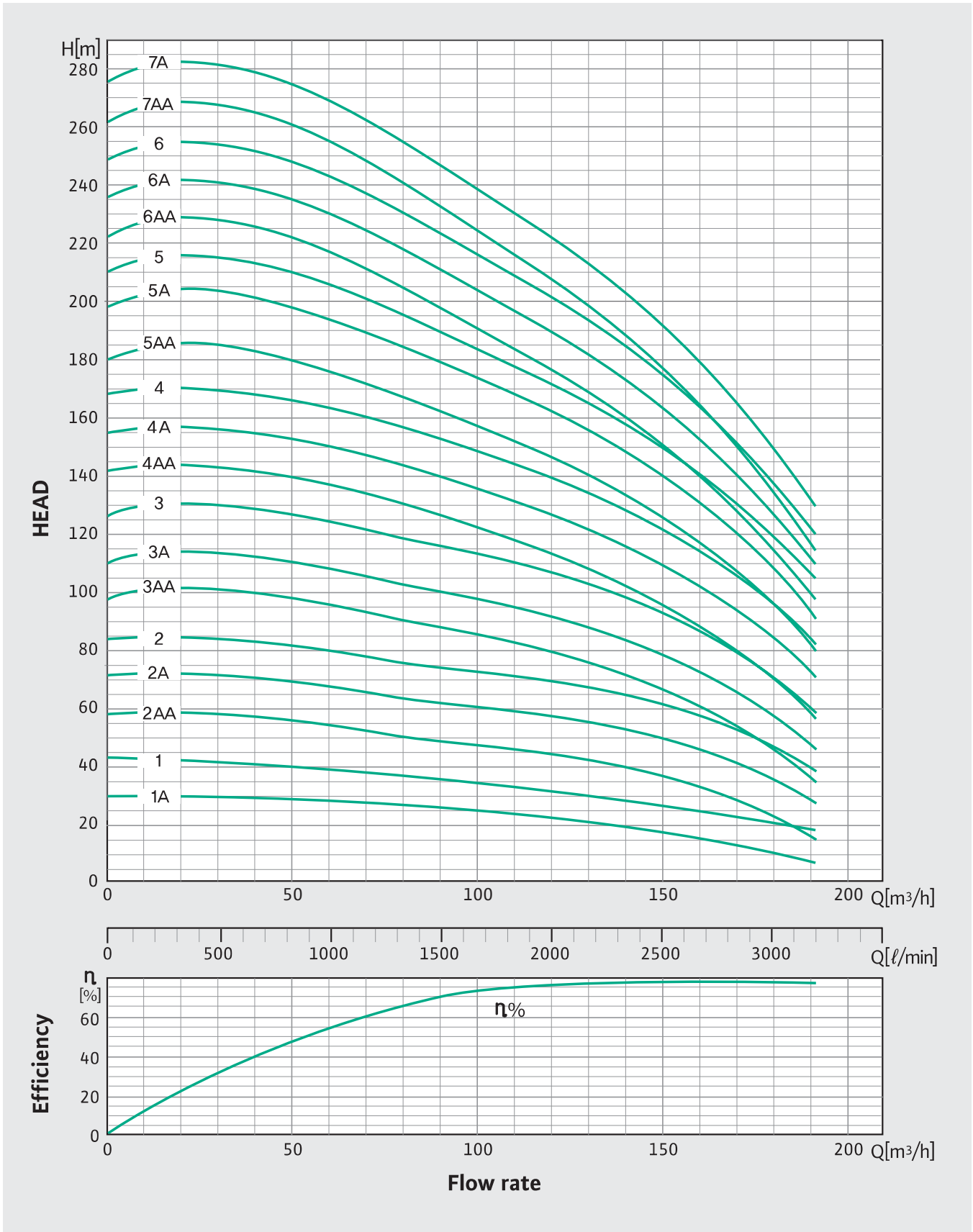
Dimension and Weight									60Hz
Model	Motor	Power		Power source		Dimension[mm]			Weight [kg]
	Wilo	[kW]	[HP]	Phase	Voltage	A	B	C	
PSS-95-1-A	MS6-7533	5.5	7.5	3	380	618	570	1188	65.1
PSS-95-1	MS6-10033	7.5	10	3	380	618	600	1218	67.1
PSS-95-2-AB	MH6-15033	9.3	12.5	3	380	746	760	1506	86.7
PSS-95-2-B	MH6-15033	11	15	3	380	746	760	1506	86.7
PSS-95-2	MH6-20033	13	17.5	3	380	746	800	1546	90.7
PSS-95-3-BB	MH6-20033	15	20	3	380	874	800	1674	94.3
PSS-95-3-B	MH6-25033	18.5	25	3	380	874	920	1794	105.3
PSS-95-3	MH6-30033	22	30	3	380	874	970	1844	112.3
PSS-95-4-AB	MH6-30033	22	30	3	380	1003	970	1973	115.9
PSS-95-4	MH6-40033	30	40	3	380	1003	1030	2033	120.9
PSS-95-5-B	MH6-40033	30	40	3	380	1131	1030	2161	124.5
PSS-95-5	MH6-50033	37	50	3	380	1131	1060	2191	129.5
PSS-95-6	MH6-50033	37	50	3	380	1259	1060	2319	133
PSS-95-7	MH6-60033	45	60	3	380	1398	1057	2455	213
	MH8-60033	45	60	3	380	1398	1250	2648	233
PSS-95-8	MH8-75033	55	75	3	380	1527	1350	2877	261.6
PSS-95-9	MH8-100033	75	100	3	380	1655	1480	3135	290.2
PSS-95-10	MH8-100033	75	100	3	380	1783	1480	3263	293.8
PSS-95-11	MH8-100033	75	100	3	380	1911	1480	3391	297.4
PSS-95-12	MH8-125033	93	125	3	380	2039	1680	3719	336
PSS-95-13	MH8-125033	93	125	3	380	2168	1680	3848	339.6

* Please inquire to Wilo Pumps Ltd when you need more than 50HP



- ※ The minimum dia of well is 205mm
- ※ 178mm is the maximum dia of pump including Cable guard and motor.
- ※ Discharge bore size : 5"(125mm)
- ※ Using 6inch motor to PSS-95 Series

60Hz



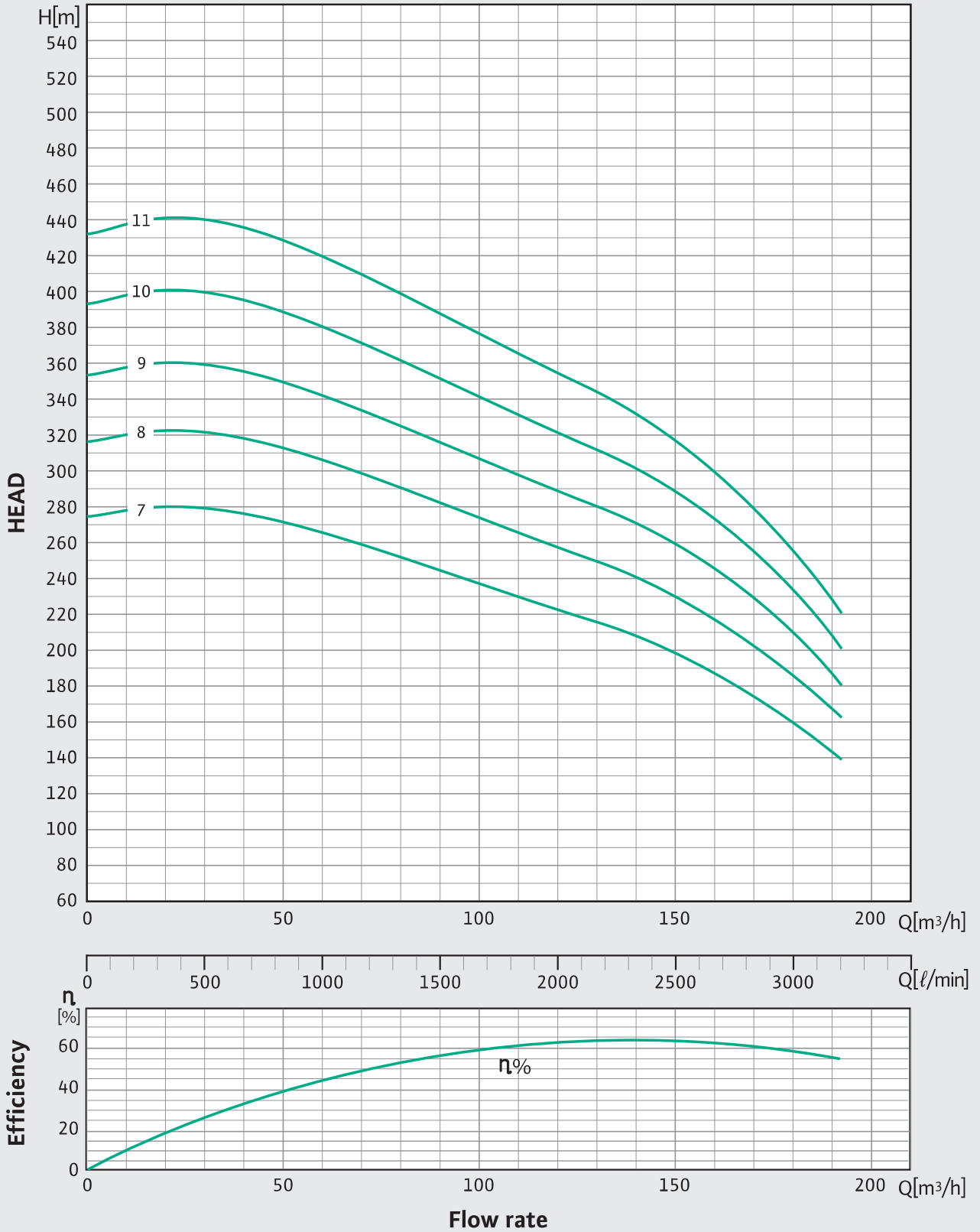
General Information

PSS Series

PSS-125 Series

Performance Curve

60Hz

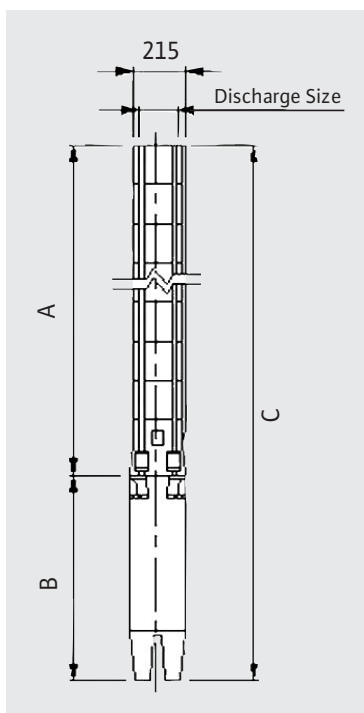


PSS-125 Series

Technical data

Dimension and Weight									60Hz
Model	Motor	Power		Power source		Dimension[mm]			Weight [kg]
	Wilo	[kW]	[HP]	Phase	Voltage	A	B	C	
PSS-125-1-A	MH6-15033	11	15	3	380	652	760	1412	87.2
PSS-125-1	MH6-25033	18.5	25	3	380	652	920	1572	102.3
PSS-125-2-AA	MH6-30033	22	30	3	380	807	970	1777	115.6
PSS-125-2-A	MH6-40033	30	40	3	380	807	1030	1837	120.7
PSS-125-2	MH6-40033	30	40	3	380	807	1030	1837	120.8
PSS-125-3-AA	MH6-50033	37	50	3	380	963	1060	2023	132.1
PSS-125-3-A	MH6-50033	37	50	3	380	963	1060	2023	132.2
PSS-125-3	MH6-60033	45	60	3	380	963	1057	2020	207.3
	MH8-60033	45	60	3	380	963	1250	2213	232.1
PSS-125-4-AA	MH8-75033	55	75	3	380	1118	1350	2468	261.9
PSS-125-4-A	MH8-75033	55	75	3	380	1118	1350	2468	262
PSS-125-4	MH8-100033	75	100	3	380	1118	1480	2598	287.1
PSS-125-5-AA	MH8-100033	75	100	3	380	1274	1480	2754	291.9
PSS-125-5-A	MH8-100033	75	100	3	380	1274	1480	2754	292
PSS-125-5	MH8-100033	75	100	3	380	1274	1480	2754	292.1
PSS-125-6-AA	MH8-100033	75	100	3	380	1429	1480	2909	296.9
PSS-125-6-A	MH8-125033	93	125	3	380	1429	1680	3109	332
PSS-125-6	MH8-125033	93	125	3	380	1429	1680	3109	332.1
PSS-125-7-AA	MH8-125033	93	125	3	380	1585	1680	3265	336.9
PSS-125-7-A	MH8-125033	93	125	3	380	1585	1680	3265	337
PSS-125-7	MH8-150033	110	150	3	380	1585	1780	3365	367.1
PSS-125-8	MH10-175033	132	175	3	380	1870	1620	3490	418.5
PSS-125-9	MH10-175033	132	175	3	380	2026	1620	3646	425
PSS-125-10	MH10-200033	150	200	3	380	2181	1770	3951	466.5
PSS-125-11	MH10-250033	185	250	3	380	2337	2020	4357	533

* Please inquire to Wilo Pumps Ltd when you need more than 50HP



- ※ The minimum dia of well is 255mm
- ※ 215mm is the maximum dia of pump including Cable guard and motor.
- ※ Discharge bore size : 6"(150mm)
- ※ Using 6inch motor to PSS-125 Series
- ※ Please check NPSH value when you choose the model

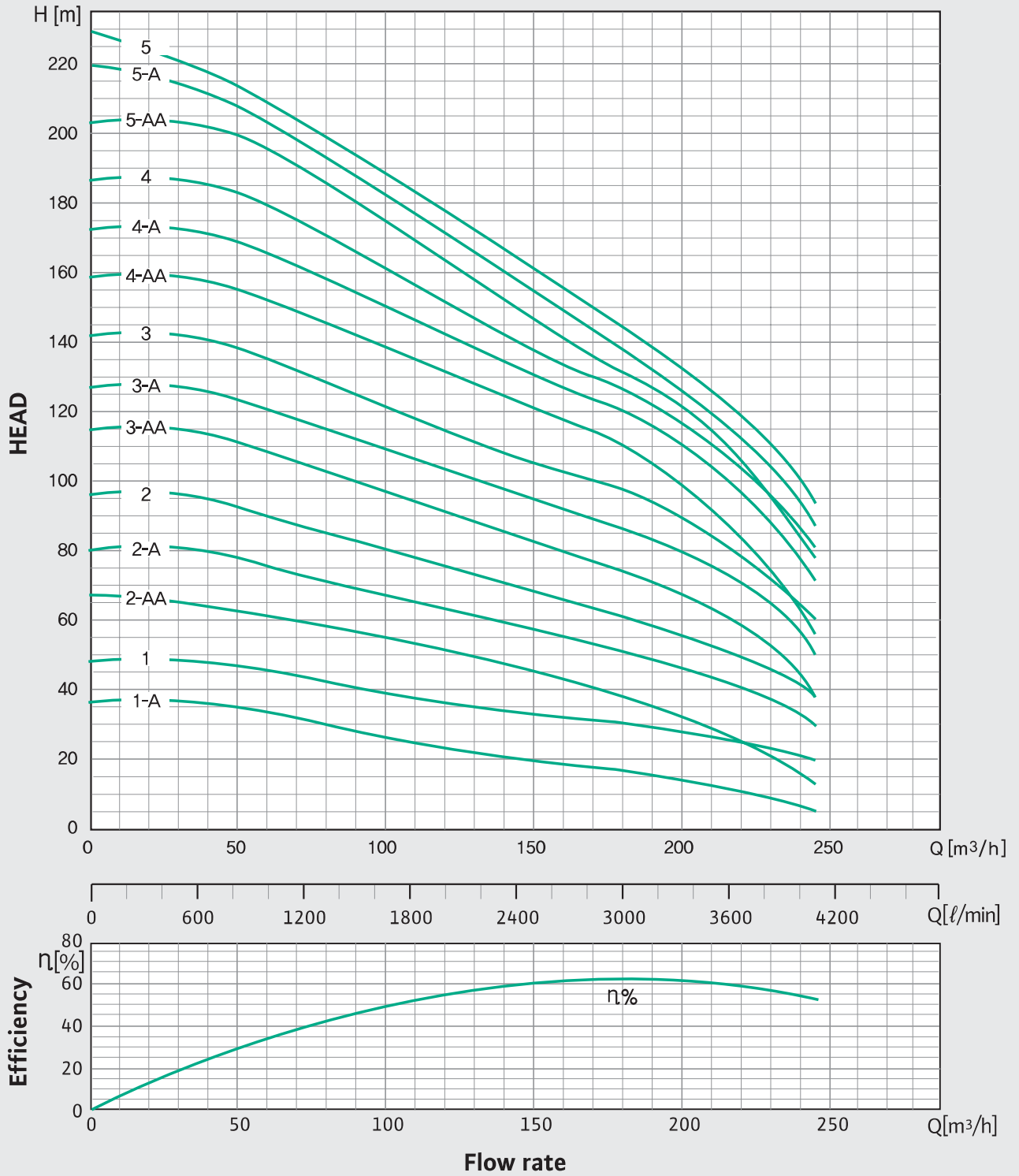
General Information

PSS Series

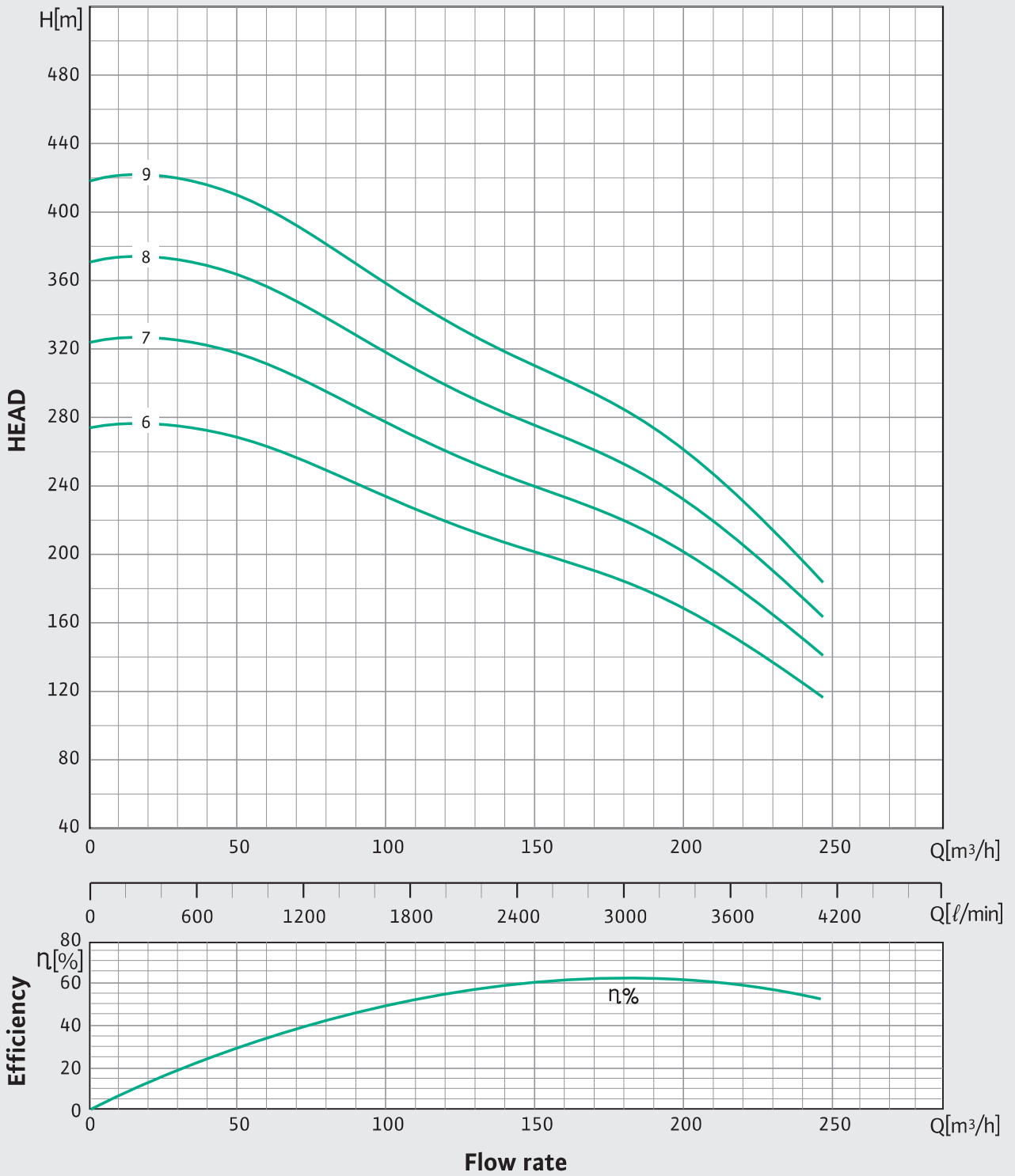
PSS-160 Series

Performance Curve

60Hz



60Hz



General Information

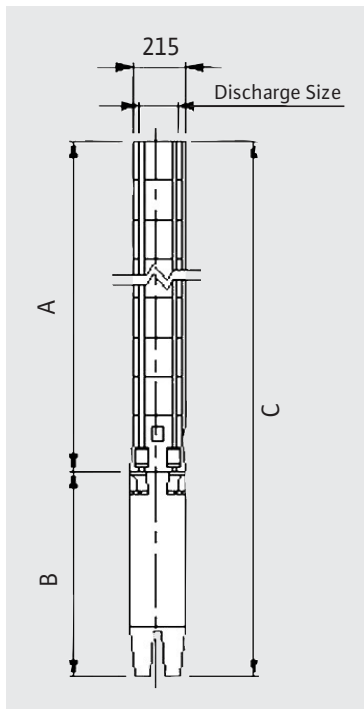
PSS Series

PSS-160 Series

Technical data

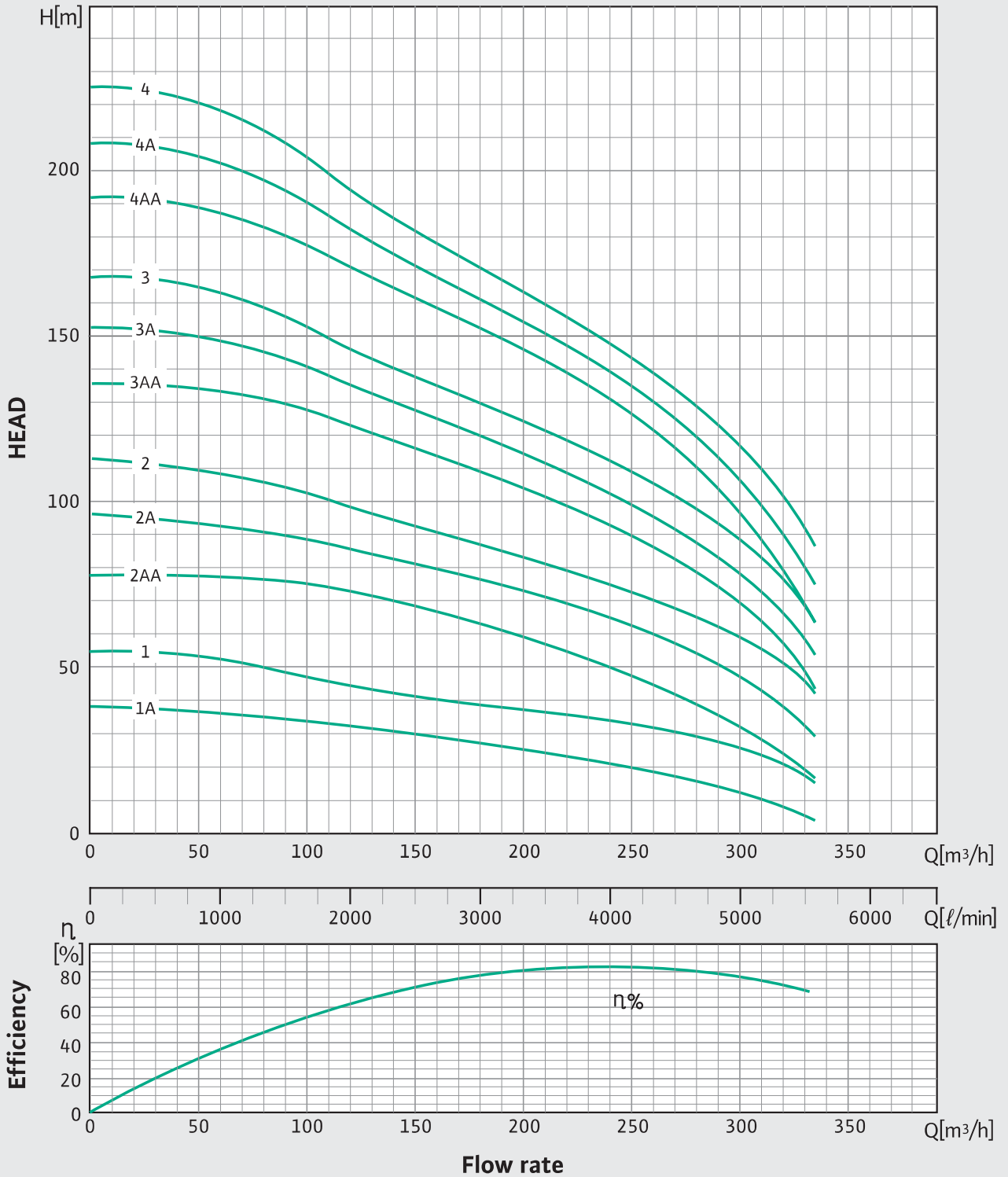
Dimension and Weight									60Hz
Model	Motor	Power		Power source		Dimension[mm]			Weight [kg]
	Wilo	[kW]	[HP]	Phase	Voltage	A	B	C	
PSS-160-1-A	MH6-20033	15	20	3	380	652	800	1452	92.4
PSS-160-1	MH6-30033	22	30	3	380	652	970	1622	110.4
PSS-160-2-AA	MH6-40033	30	40	3	380	807	1030	1837	121.7
PSS-160-2-A	MH6-50033	37	50	3	380	807	1060	1867	126.8
PSS-160-2	MH6-50033	37	50	3	380	807	1060	1867	126.8
PSS-160-3-AA	MH6-60033	45	60	3	380	963	1057	2020	209.5
	MH8-60033	45	60	3	380	963	1250	2213	229.5
PSS-160-3-A	MH8-75033	55	75	3	380	963	1350	2313	254.6
PSS-160-3	MH8-75033	55	75	3	380	963	1350	2313	254.6
PSS-160-4-AA	MH8-100033	75	100	3	380	1118	1480	2598	285.9
PSS-160-4-A	MH8-100033	75	100	3	380	1118	1480	2598	286
PSS-160-4	MH8-100033	75	100	3	380	1118	1480	2598	286
PSS-160-5-AA	MH8-125033	93	125	3	380	1274	1680	2954	327.3
PSS-160-5-A	MH8-125033	93	125	3	380	1274	1680	2954	327.4
PSS-160-5	MH8-125033	93	125	3	380	1274	1680	2954	327.4
PSS-160-6	MH8-150033	110	150	3	380	1429	1780	3209	363.8
PSS-160-7	MH10-175033	132	175	3	380	1715	1620	3335	418.4
PSS-160-8	MH10-200033	150	200	3	380	1870	1770	3640	459.8
PSS-160-9	MH10-250033	185	250	3	380	2026	2020	4046	526.2

* Please inquire to Wilo Pumps Ltd when you need more than 50HP



- ※ The minimum dia of well is 255mm
- ※ 215mm is the maximum dia of pump including Cable guard and motor.
- ※ Discharge bore size : 6"(150mm)
- ※ Using 6inch motor to PSS-160 Series
- ※ Please check NPSH value when you choose the model

60Hz



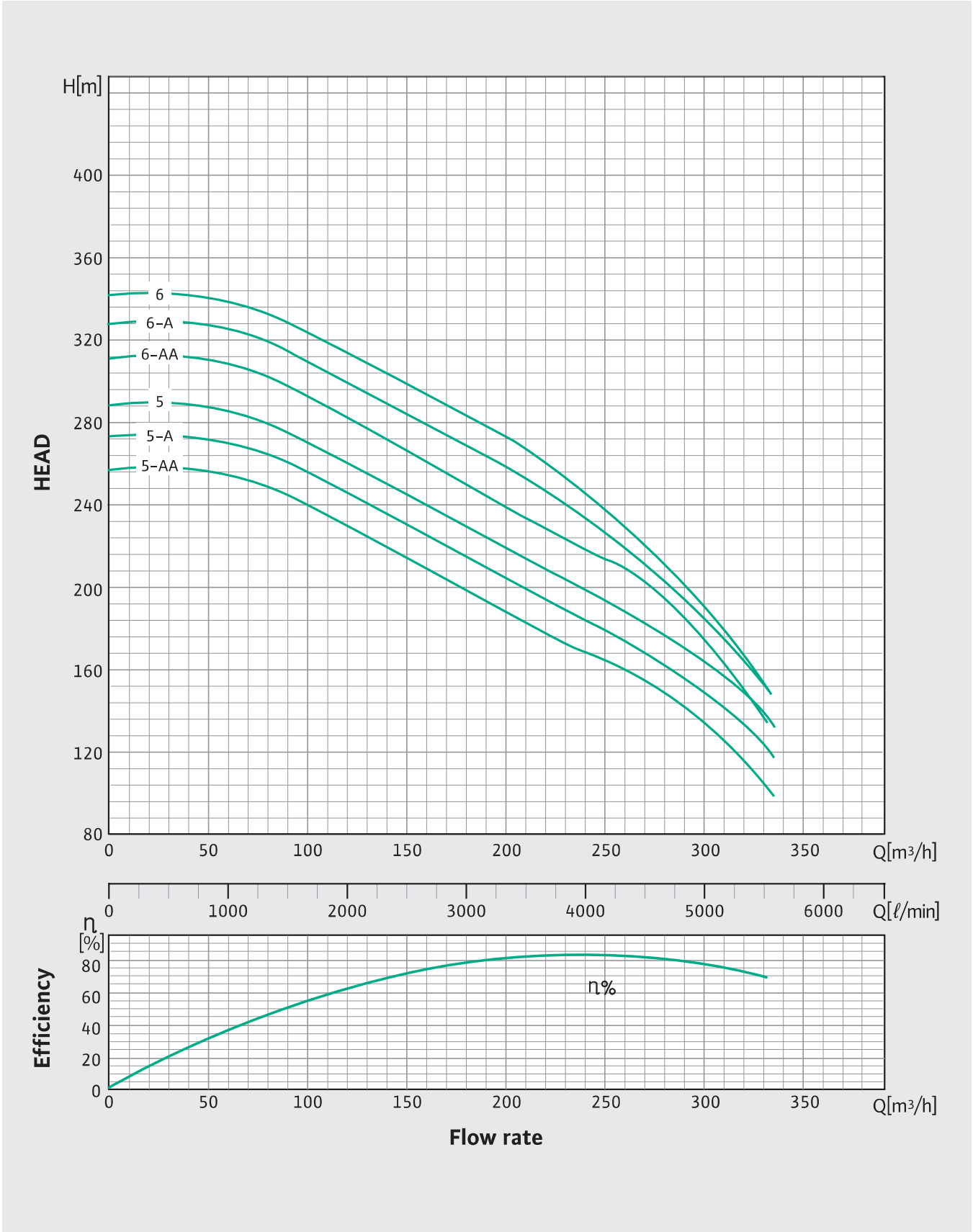
General Information

PSS Series

PSS-215 Series

Performance Curve

60Hz

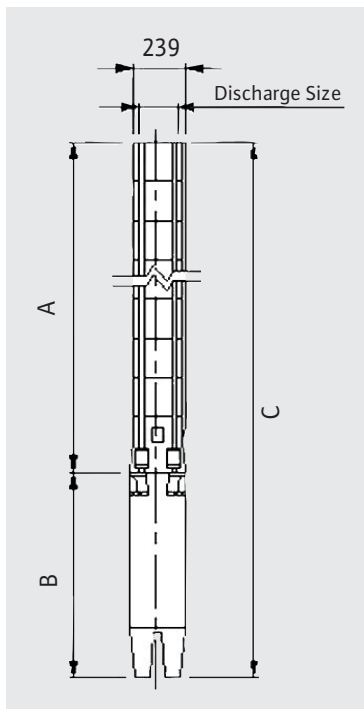


PSS-215 Series

Technical data

Dimension and Weight									60Hz
Model	Motor	Power		Power source		Dimension[mm]			Weight [kg]
	Wilo	[kW]	[HP]	Phase	Voltage	A	B	C	
PSS-215-1-A	MH6-30033	22	30	3	380	772	970	1742	126.1
PSS-215-1	MH6-40033	30	40	3	380	772	1030	1802	131.1
PSS-215-2-AA	MH6-60033	45	60	3	380	948	1057	2005	220.8
	MH8-60033	45	60	3	380	948	1250	2198	240.8
PSS-215-2-A	MH8-75033	55	75	3	380	948	1350	2298	265.8
PSS-215-2	MH8-100033	75	100	3	380	948	1480	2428	290.8
PSS-215-3-AA	MH8-100033	75	100	3	380	1124	1480	2604	300.6
PSS-215-3-A	MH8-125033	93	125	3	380	1124	1680	2804	335.6
PSS-215-3	MH8-125033	93	125	3	380	1124	1680	2804	335.6
PSS-215-4-AA	MH8-150033	110	150	3	380	1300	1780	3080	375.4
PSS-215-4-A	MH8-150033	110	150	3	380	1300	1780	3080	375.4
PSS-215-4	MH8-150033	110	150	3	380	1300	1780	3080	375.4
PSS-215-5-AA	MH10-175033	132	175	3	380	1476	1620	3096	425.8
PSS-215-5-A	MH10-175033	132	175	3	380	1476	1620	3096	425.8
PSS-215-5	MH10-200033	150	200	3	380	1476	1770	3246	460.8
PSS-215-6-AA	MH10-250033	185	250	3	380	1652	2020	3672	531
PSS-215-6-A	MH10-250033	185	250	3	380	1652	2020	3672	531
PSS-215-6	MH10-250033	185	250	3	380	1652	2020	3672	531

* Please inquire to Wilo Pumps Ltd when you need more than 50HP



- ※ The minimum dia of well is 255mm
- ※ 239mm is the maximum dia of pump including Cable guard and motor.
- ※ Discharge bore size : 6"(150mm)
- ※ Using 6inch motor to PSS-215 Series
- ※ Please check NPSH value when you choose the model

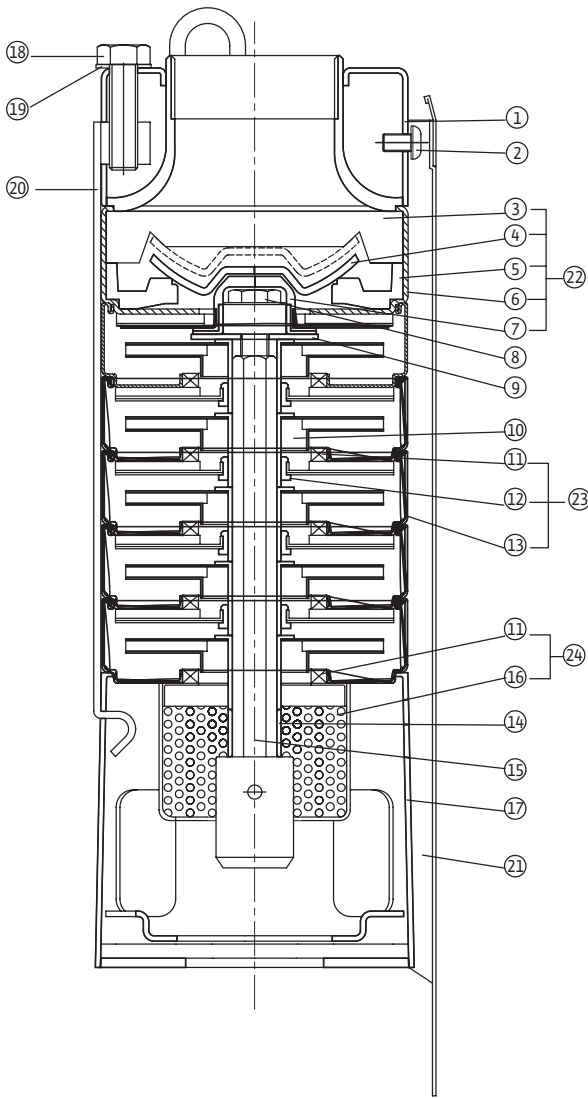
General Information

PSS Series

PSS-1~14 Series(4inch)

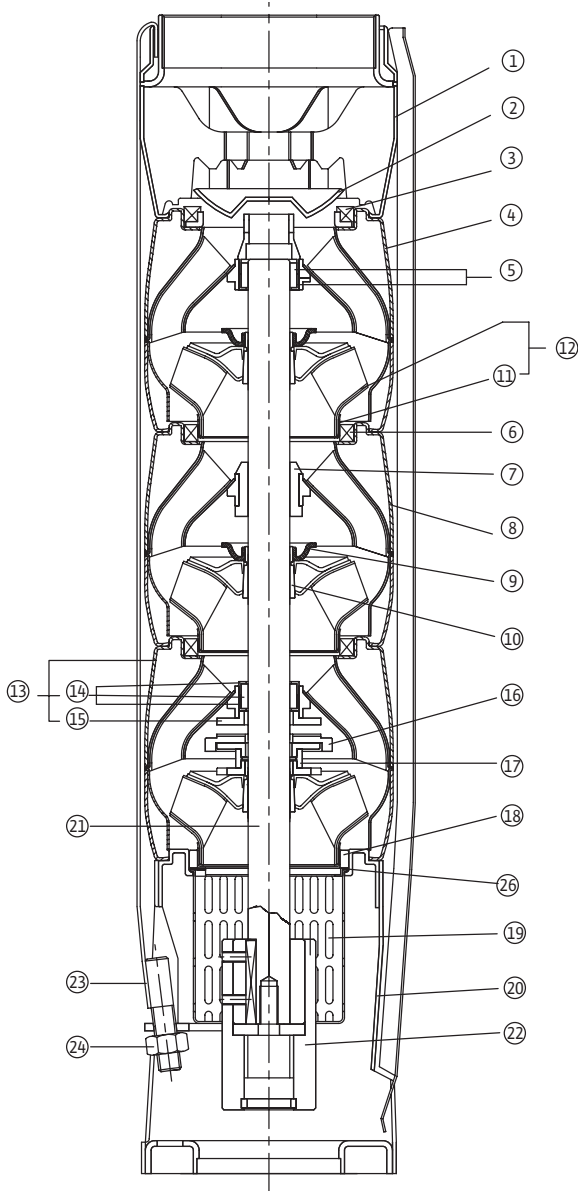
Sectional Drawing & Materials of Parts

Sectional Drawing & Materials of Parts



NO	Part Name	Material	Q
1	Discharge piece	STS304	1
2	Screw	-	1
3	Valve guide	-	1
4	Valve cone	STS304	1
5	Valve seat	NBR	1
6	Valve casing	STS304	1
7	Stop ring	STS304	1
8	Lock nut	STS304	1
9	Stop ring washer	STS304	1
10	Impeller	STS304	stages
11	Neck ring	NBR	stages
12	Bearing	NBR	stages
13	Diffuser	STS304	stages
14	Spacer	-	1
15	Pump shaft/coupling	*STS431/304	1
16	Strainer	STS304	1
17	Suction interconnector	STS304	1
18	Screw	-	4
19	Washer	STS304	4
20	Strap	STS304	4
21	Cable GUARD	STS304	1
22	Check valve Assy	-	1
23	Diffuser Assy	-	stages
24	Strainer Assy	-	1

Sectional Drawing & Materials of Parts



NO	Part Name	Material	Q
1	Discharge	STS304	1
2	Valve Cone	STS304	1
3	Valve Seat	NBR	stages
4	Top Diffuser	STS304	1
5	Upper Bearing	STS304	1
6	Neck Ring	NBR	1
7	Bearing	NBR	1
8	Diffuser	STS304	stages
9	Split Cone Nut	STS304	stages
10	Split Cone	STS304	stages
11	Impeller Ring	STS304	stages
12	Impeller	STS304	stages
13	Buttom Diffuser	STS304	1
14	Lower Bearing	-	1
15	Stop Ring	-	1
16	Space Washer	STS304	1
17	Nut for Stop Ring	STS304	1
18	Buttom Neck Ring	NBR	1
19	Strainer	STS304	1
20	Suction Interconnector	STS304	1
21	Pump Shaft	STS431	1
22	Coupling	STS304	1
23	Strap	STS304	4
24	Nut	STS304	4

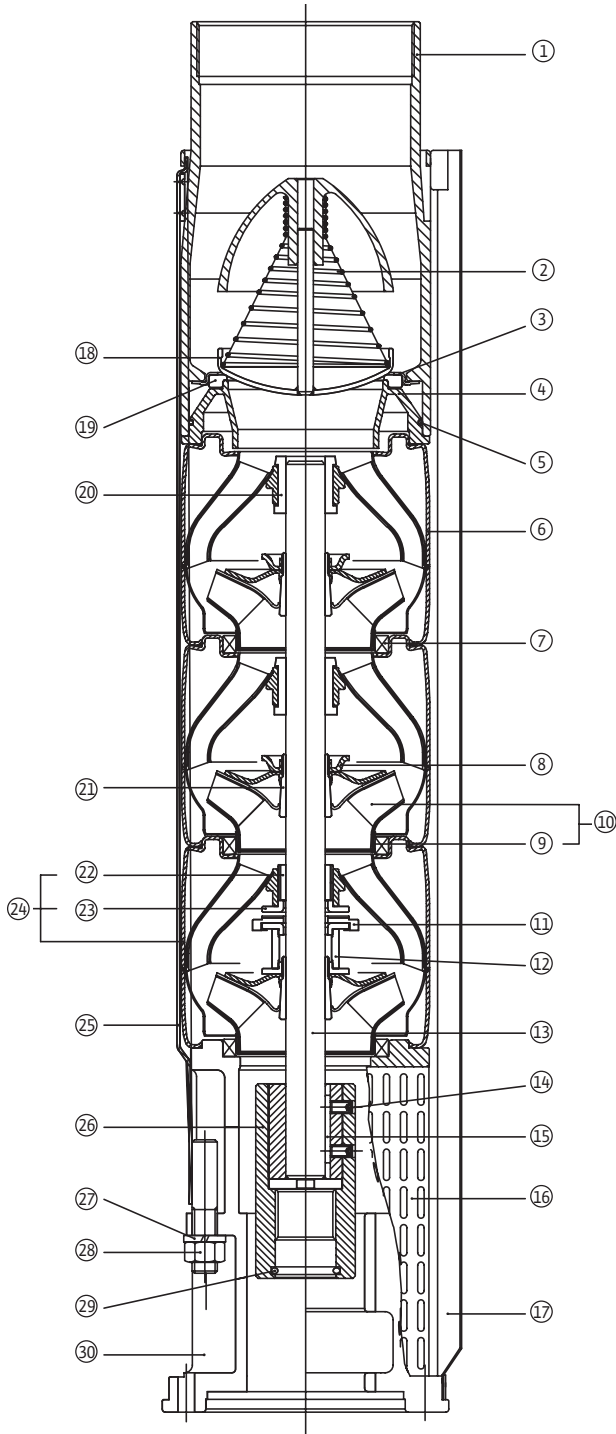
General Information

PSS Series

PSS-77~95 Series(8inch)

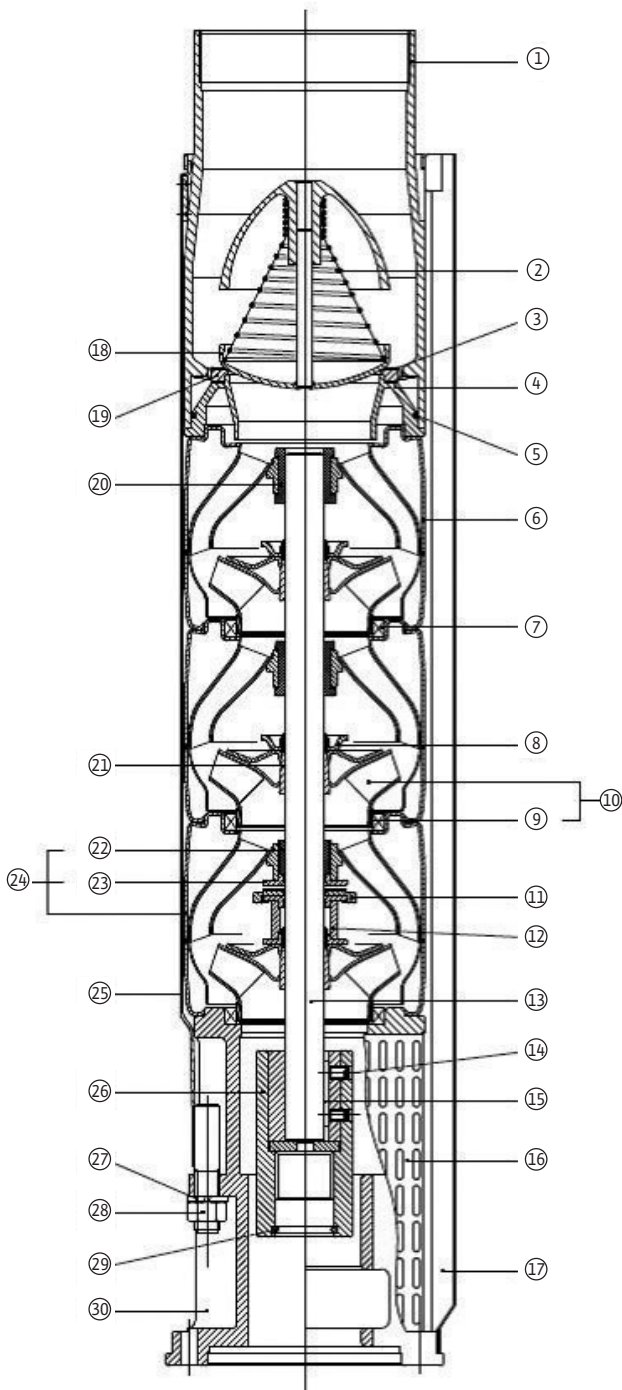
Sectional Drawing & Materials of Parts

Sectional Drawing & Materials of Parts



NO	Part Name	Material	Q
1	Discharge	STS304	1
2	Spring	STS304	1
3	Upper Retainer	STS304	1
4	Lower Retainer	STS304	1
5	O-ring	NBR	1
6	Diffuser	STS304	stages
7	Neck Ring	STS304+NBR	stages
8	Split Cone Nut	STS304	stages
9	Ring Of Impeller	STS304	stages
10	Impeller	STS304	stages
11	Space Washer	MoO2+PTEE	1
12	Nut for Stop Ring	STS304	1
13	Shaft	STS431	1
14	Screw	STS304	2
15	Key	STS304	2
16	Strainer	STS304	1
17	Cable Guard	STS304	1~2
18	Valve Cup	STS304	1
19	Valve Seat	STS304	1
20	Bearing	NBR	stages
21	Spilt Cone	STS304	stages
22	Bearing	NBR	1
23	Stop Ring	STS304	1
24	Bottom Diffuser	STS304	1
25	Stap	STS304	4
26	Coupling	STS304	1
27	Spring Washer	STS304	4
28	Nut	STS304	4
29	O-ring	NBR	1
30	Pump Base	STS304	1

Sectional Drawing & Materials of Parts



NO	Part Name	Material	Q
1	Discharge	STS304	1
2	Spring	STS304	1
3	Upper Retainer	STS304	1
4	Lower Retainer	STS304	1
5	O-ring	NBR	1
6	Diffuser	STS304	stages
7	Neck Ring	STS304+NBR	stages
8	Split Cone Nut	STS304	stages
9	Ring Of Impeller	STS304	stages
10	Impeller	STS304	stages
11	Space Washer	MoO2+PTEE	1
12	Nut for Stop Ring	STS304	1
13	Shaft	STS431	1
14	Screw	STS304	2
15	Key	STS304	2
16	Strainer	STS304	1
17	Cable Guard	STS304	1~2
18	Valve Cup	STS304	1
19	Valve Seat	STS304	1
20	Bearing	NBR	stages
21	Spilt Cone	STS304	stages
22	Bearing	NBR	1
23	Stop Ring	STS304	1
24	Bottom Diffuser	STS304	1
25	Stap	STS304	4
26	Coupling	STS304	1
27	Spring Washer	STS304	4
28	Nut	STS304	4
29	O-ring	NBR	1
30	Pump Base	STS304	1

wilo



WILO SE
Nortkirchenstraße 100
D-44263 Dortmund
Germany
T +49 231 4102-0
F +49 231 4102 7363
wilo@wilo.com
www.wilo.com

Pioneering for You